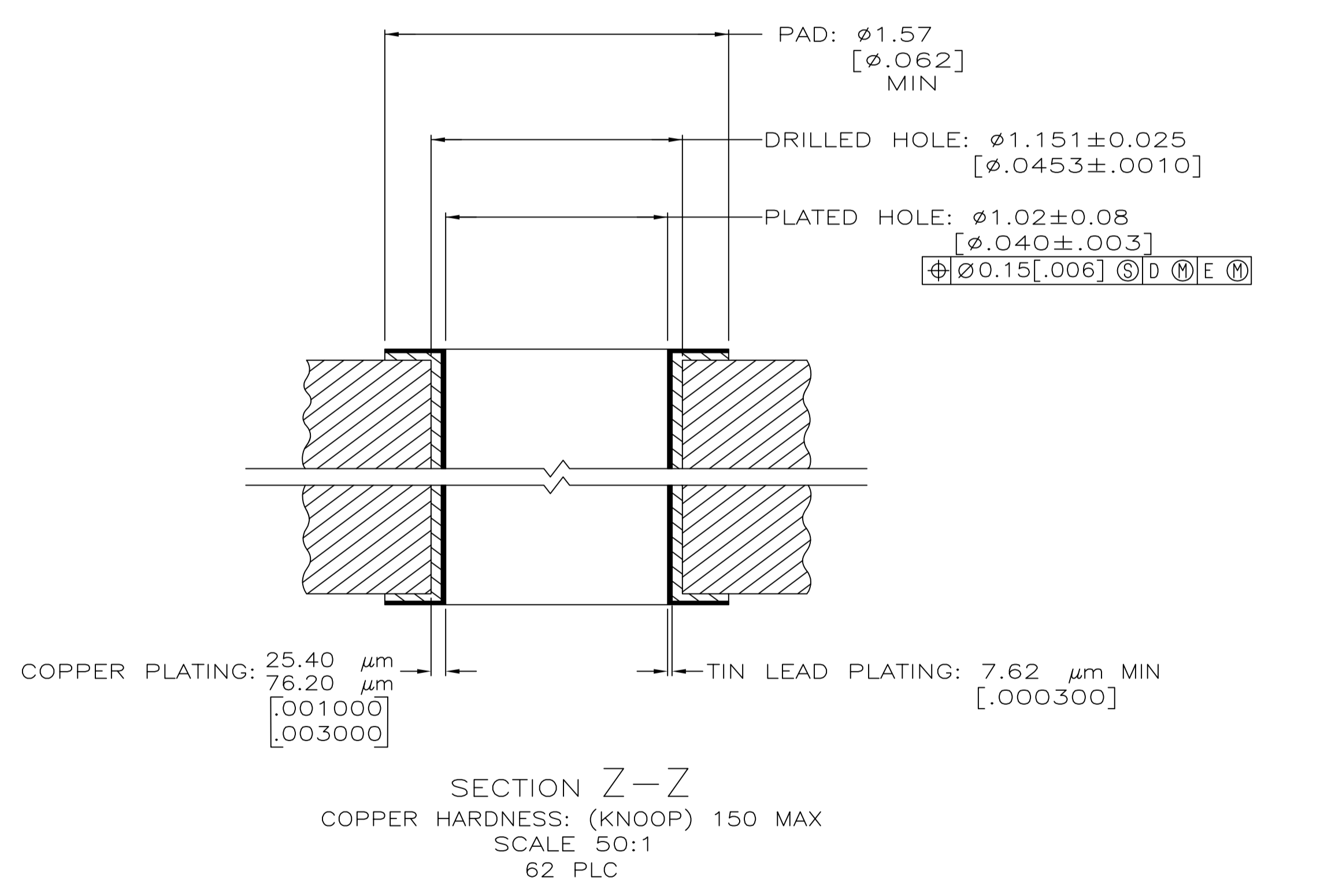
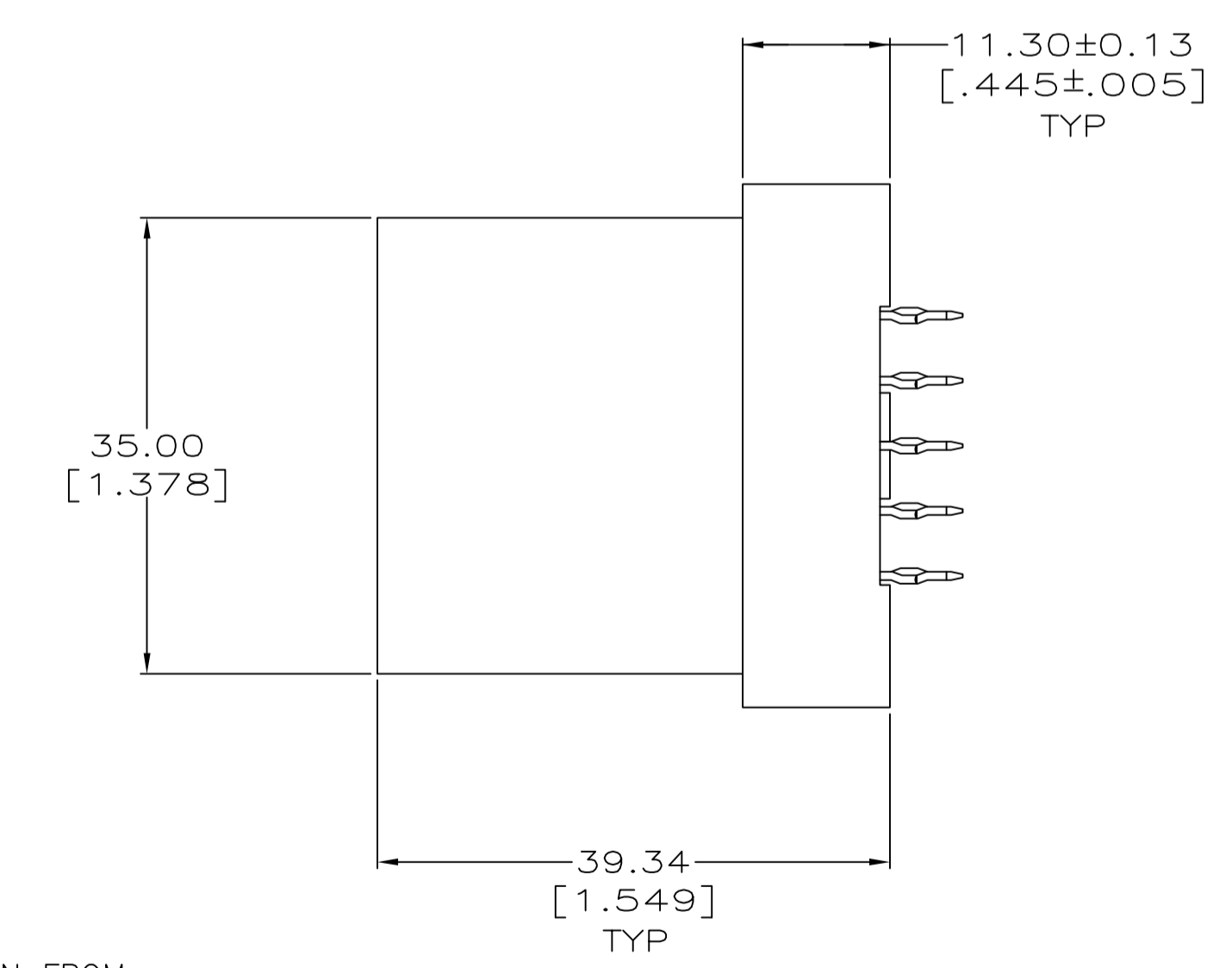
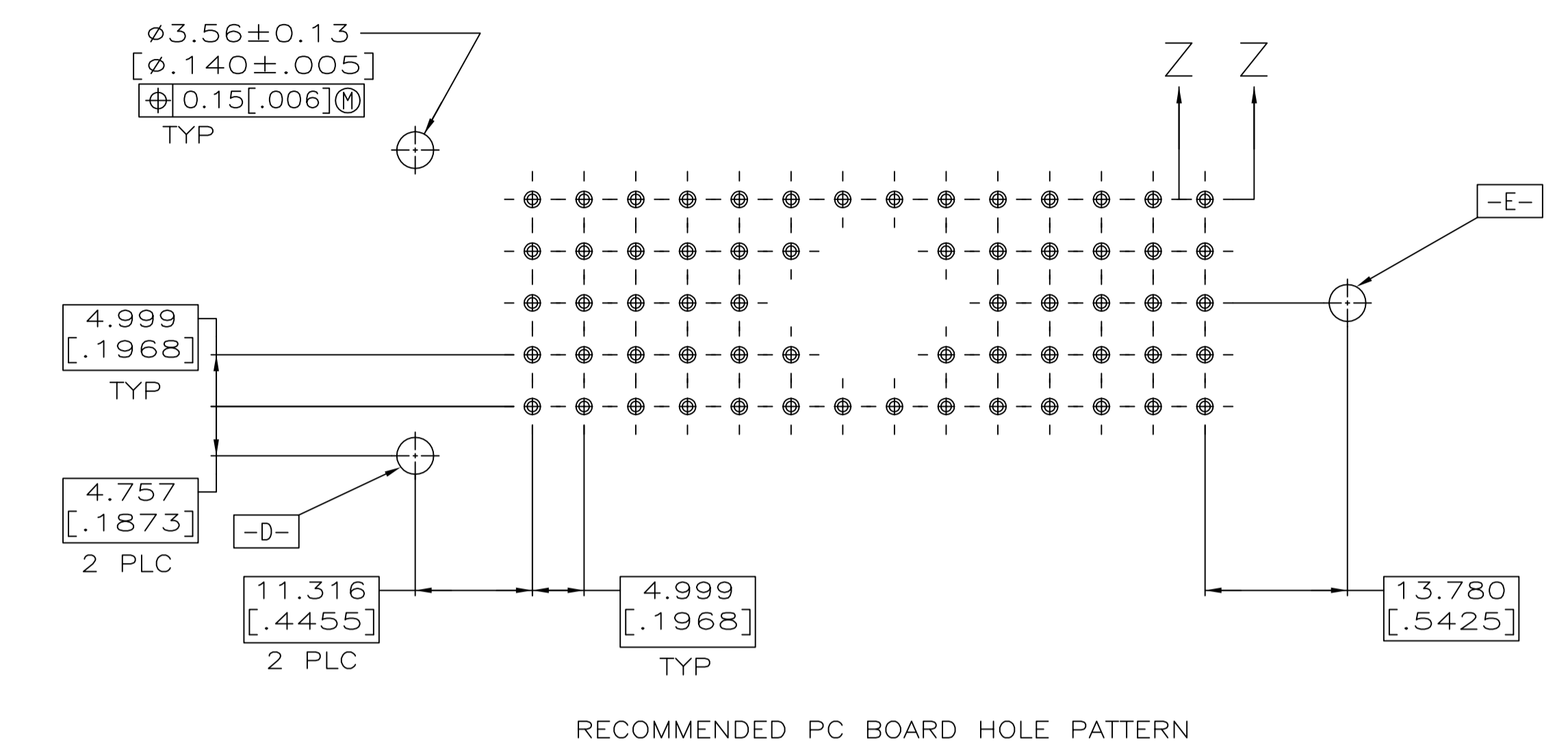
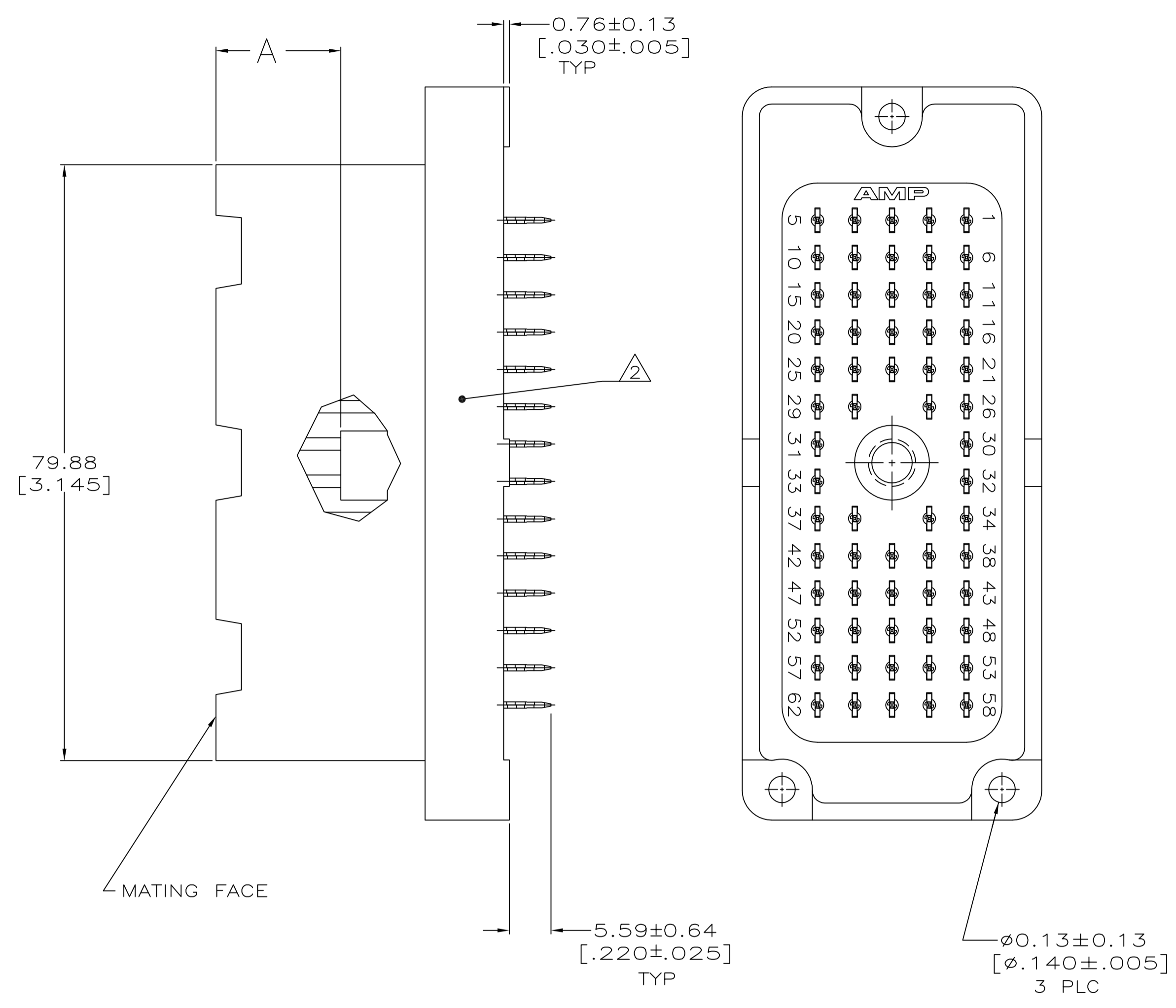
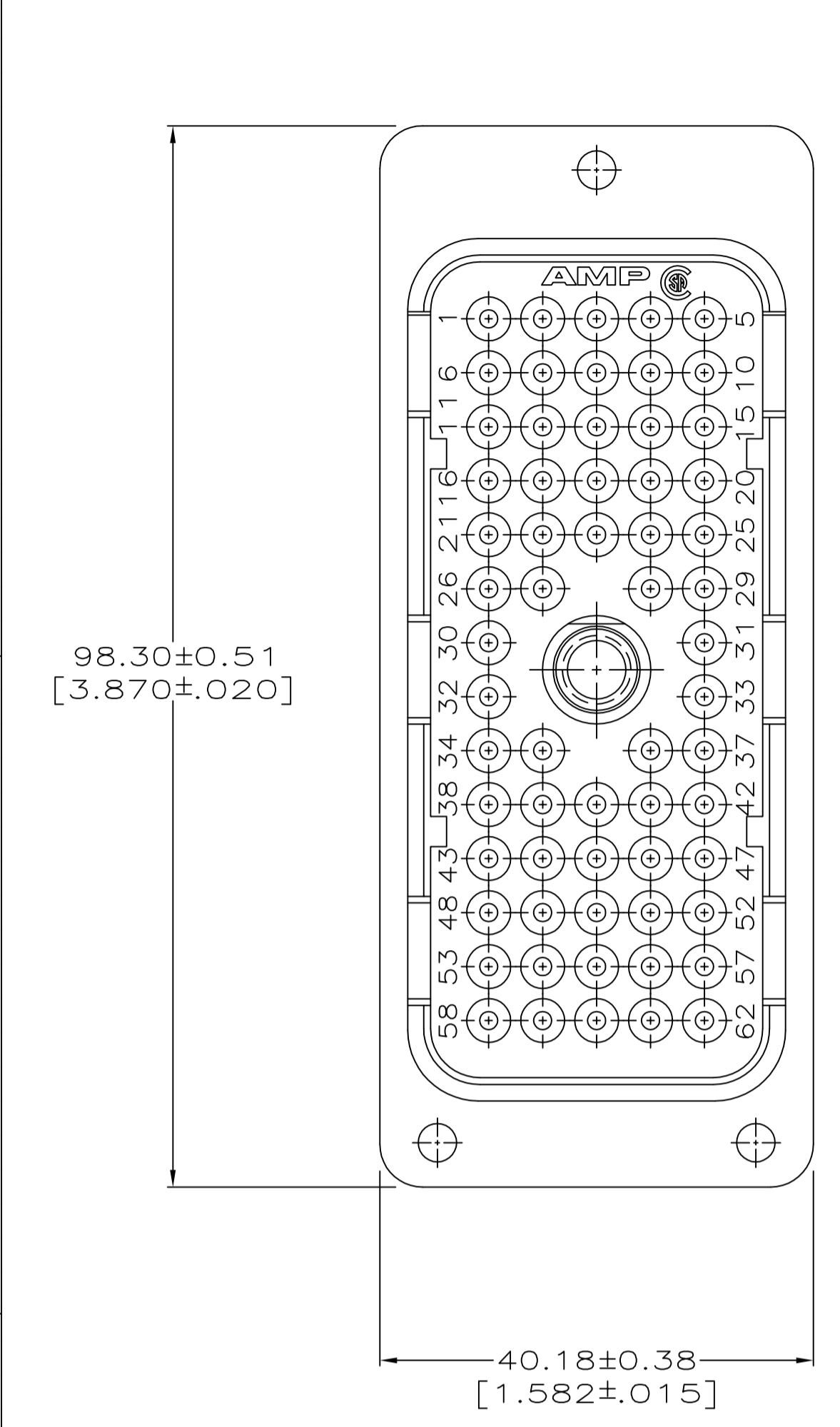


REVISIONS					
P	LTR	DESCRIPTION	DATE	DWN	APVD
D		REVISED PER ECO-07-008991	4/23/07	SS	GS
D1		REVISED PER ECO-09-020935	27AUG09	KK	AEG
E		REVISED PER ECO-17-009310	28JUN2017	RS	MZ
F		REVISED PER ECO-18-000439	18JAN2018	RS	MZ



- △ 0.76µm[.000030] MIN GOLD FOR A LENGTH OF 5.46[.215] MIN FROM MATING END, 3.81µm[.000150] MIN TIN-LEAD ON OPPOSITE END FOR A LENGTH OF 5.08[.200] MIN, BOTH OVER 1.27µm[.000050] MIN NICKEL.
- △ AMP PART NUMBER AND DATE CODE MARKED IN THIS AREA.
- △ 0.76µm[.000030] MIN GOLD FOR A LENGTH OF 7.62[.300] MIN FROM MATING END, 3.81µm[.000150] MIN TIN-LEAD ON OPPOSITE END FOR A LENGTH OF 5.08[.200] MIN, BOTH OVER 1.27µm[.000050] MIN NICKEL.
- △ 0.76µm[.000030] MIN GOLD FOR A LENGTH OF 7.62[.300] MIN FROM MATING END, 3.81µm[.000150] MIN TIN-LEAD ON OPPOSITE END FOR A LENGTH OF 5.08[.200] MIN, BOTH OVER 1.27µm[.000050] MIN NICKEL.
- △ OBSOLETE PARTS: OBSOLETE CIS STREAMLINING PER D.RENAUD/D.SINISI

	6.60 [.260]	△4	213788-3
OBSOLETE	6.60 [.260]	△3	213788-2
SUPERSEDED BY 213788-2	17.53 [.690]	△1	213788-1
A	CONTACT FINISH		PART NUMBER

THIS DRAWING IS A CONTROLLED DOCUMENT.		DIN C. OBERMAN 1-5-94	STE TE Connectivity	
DIMENSIONS: mm [INCHES]		CHK R. STONE 1-7-94	NAME	
TOLERANCES UNLESS OTHERWISE SPECIFIED:		APVD	PRODUCT SPEC	
0 PLC ± -	1 PLC ± -	APVD	APPLICATION SPEC	
2 PLC ± 0.25 [010]	3 PLC ± -	APVD	SIZE CAGE CODE DRAWING NO	
4 PLC ± -	ANGLES ± -	APVD	RESTRICTED TO	
MATERIAL	FINISH	WEIGHT	A1 00779 C=213788	
CUSTOMER DRAWING		SCALE 2:1	SHEET 1 of 1	REV F

单击下面可查看定价，库存，交付和生命周期等信息

[>>TE Connectivity\(泰科\)](#)