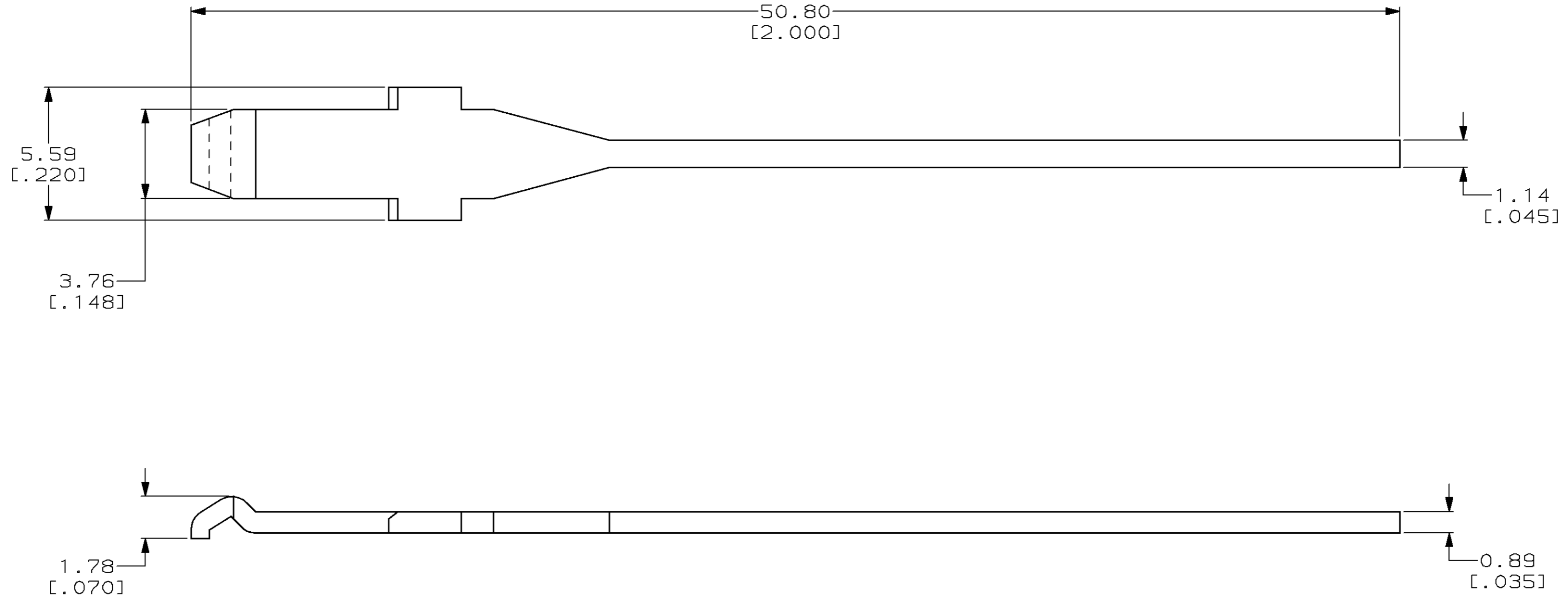


THIS DRAWING IS UNPUBLISHED. RELEASED FOR PUBLICATION, 19 .  
 © COPYRIGHT 19 BY AMP INCORPORATED. ALL RIGHTS RESERVED.

LOC	DIST	REVISIONS			
P	LTR	DESCRIPTION	DATE	DWN	APVD
FT	60	G	REDRAWN & REV PER EC 0320-74-97	15 APR 97	-



△1	54326-2
△2	54326-1
FINISH	PART NUMBER

- △1 5.08µm [.000200] MIN SILVER.
- △2 0.76µm [.000030] MIN GOLD OVER  
1.27µm [.000050] MIN NICKEL.

THIS DRAWING IS A CONTROLLED DOCUMENT.		DWN M. BINNER	15 APR 97	<b>AMP</b> AMP Incorporated Harrisburg, PA 17105-3608											
DIMENSIONS: mm [INCHES]		CHK R. STONE	24 APR 97												
TOLERANCES UNLESS OTHERWISE SPECIFIED:		APVD M. MCALONIS	22 MAY 97												
<table border="1"> <tr><td>0 PLC</td><td>±-</td></tr> <tr><td>1 PLC</td><td>±-</td></tr> <tr><td>2 PLC</td><td>±0.51 [.020]</td></tr> <tr><td>3 PLC</td><td>±-</td></tr> <tr><td>4 PLC</td><td>±-</td></tr> <tr><td>ANGLES</td><td>±-</td></tr> </table>		0 PLC	±-		1 PLC	±-	2 PLC	±0.51 [.020]	3 PLC	±-	4 PLC	±-	ANGLES	±-	PRODUCT SPEC 108-11026
0 PLC	±-														
1 PLC	±-														
2 PLC	±0.51 [.020]														
3 PLC	±-														
4 PLC	±-														
ANGLES	±-														
MATERIAL COPPER ALLOY	FINISH SEE TABLE	APPLICATION SPEC 114-6032	WEIGHT -	SIZE A3											
CUSTOMER DRAWING			SCALE 6:1	CAGE CODE 00779											
			DRAWING NO C-54326	RESTRICTED TO -											
			SHEET 1 OF 1	REV G											

单击下面可查看定价，库存，交付和生命周期等信息

[>>TE Connectivity\(泰科\)](#)