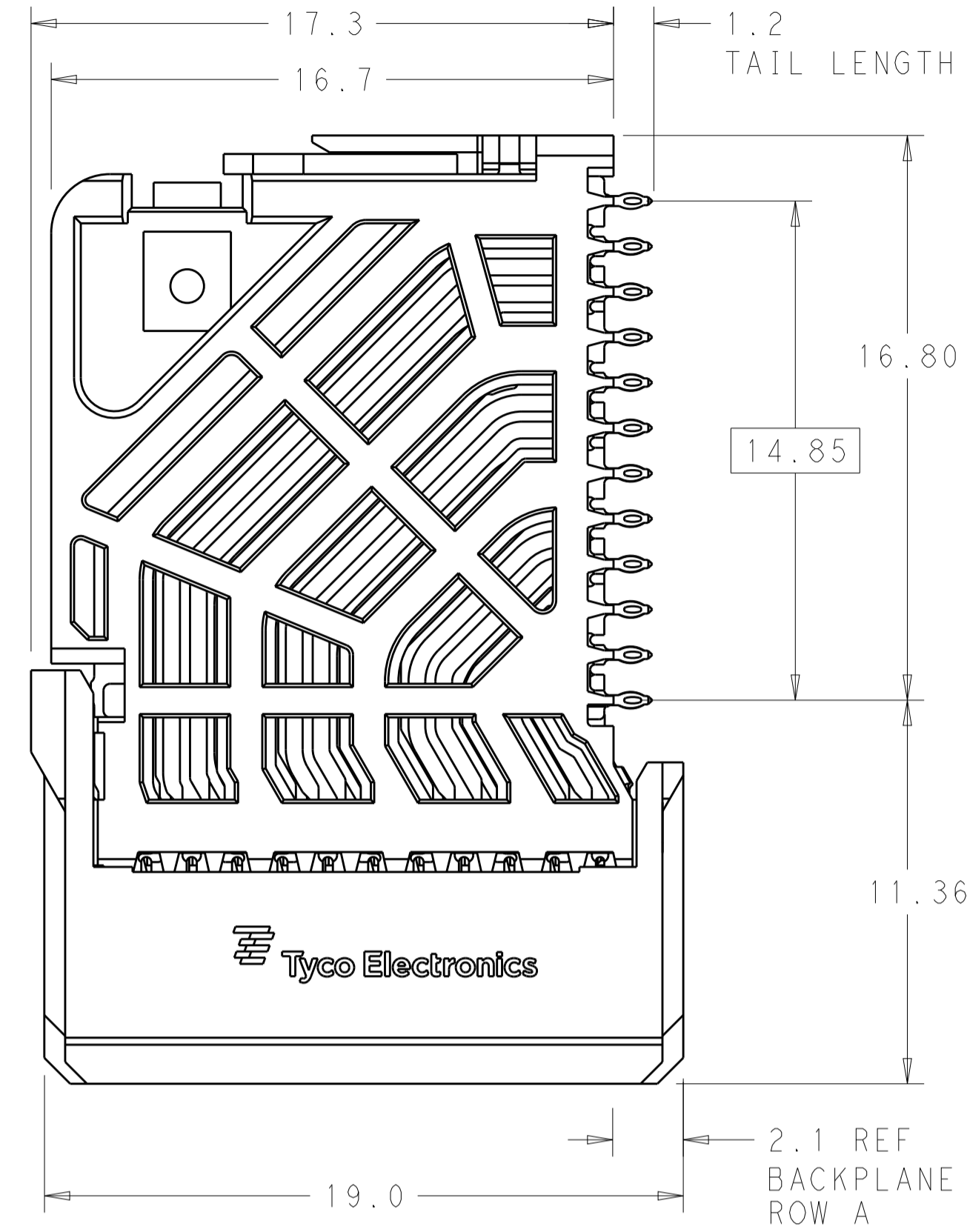
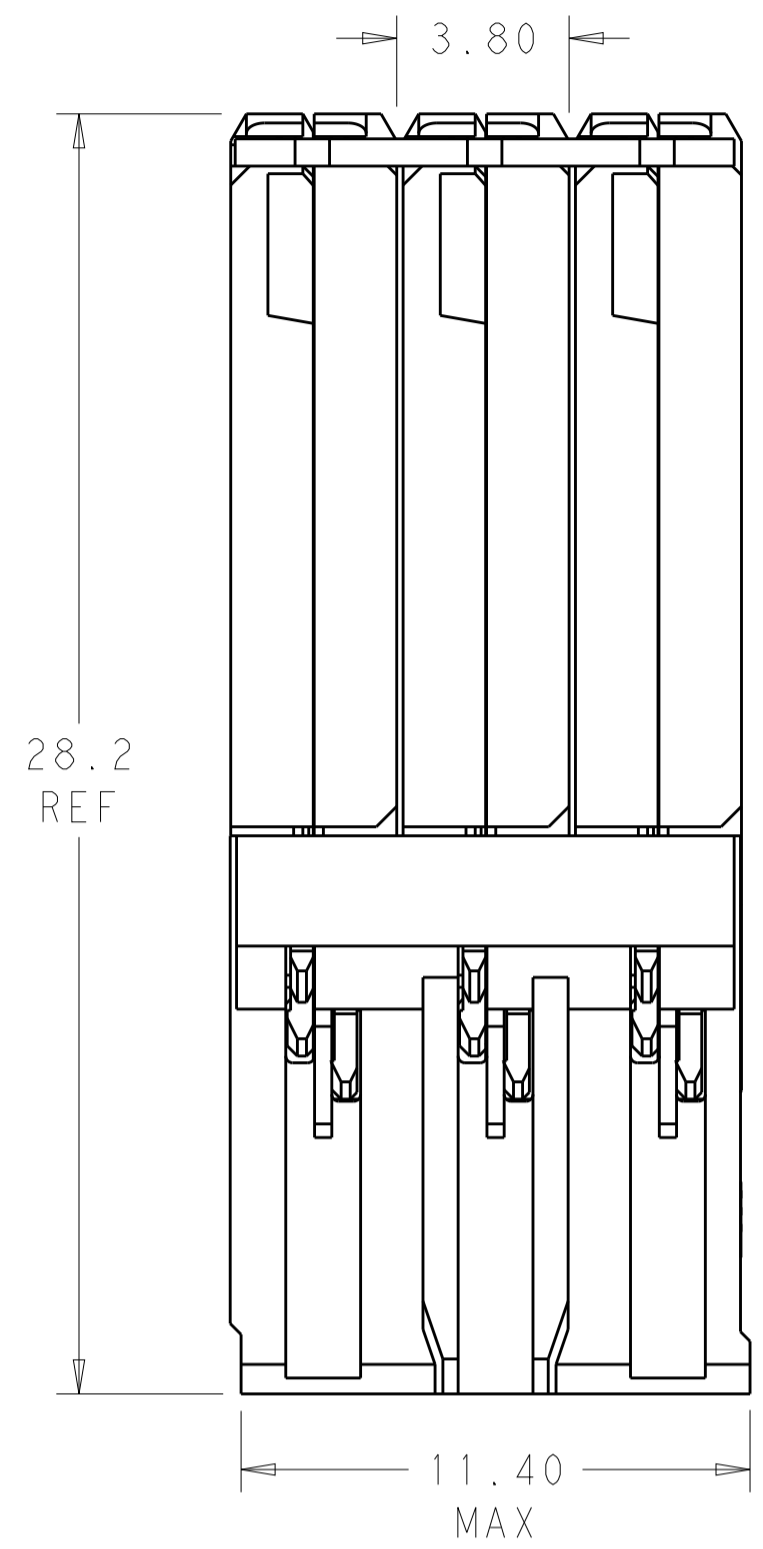
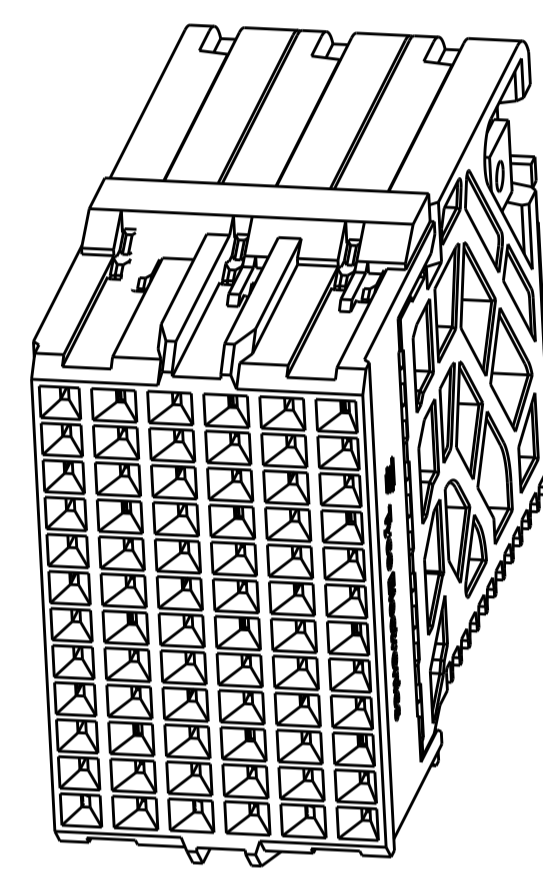


REVISIONS				
P.	LTN.	DESCRIPTION	DATE	OWN APVD
C1		REVISED PER ECO-14-018036	18FEB2015	AP DD



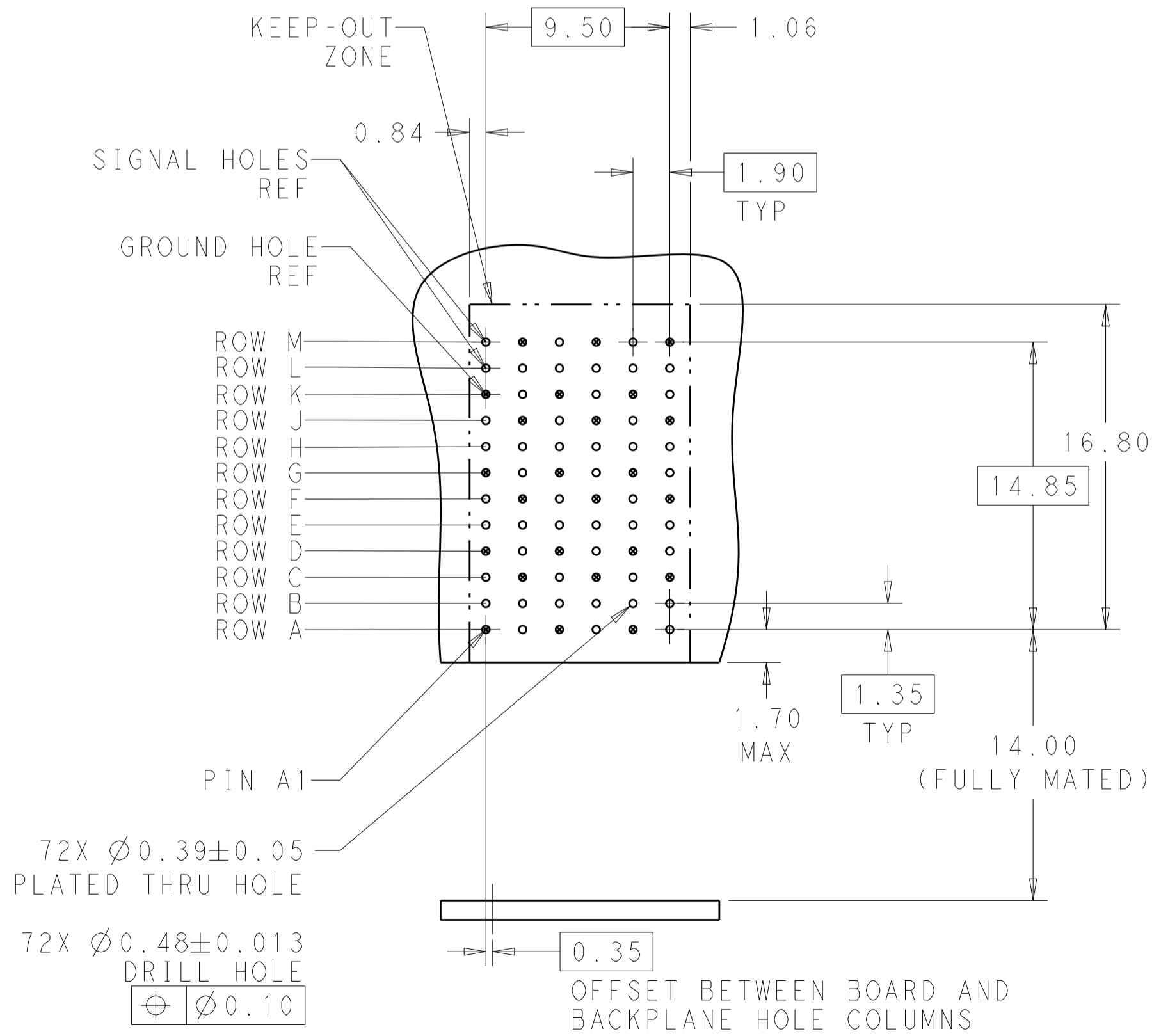
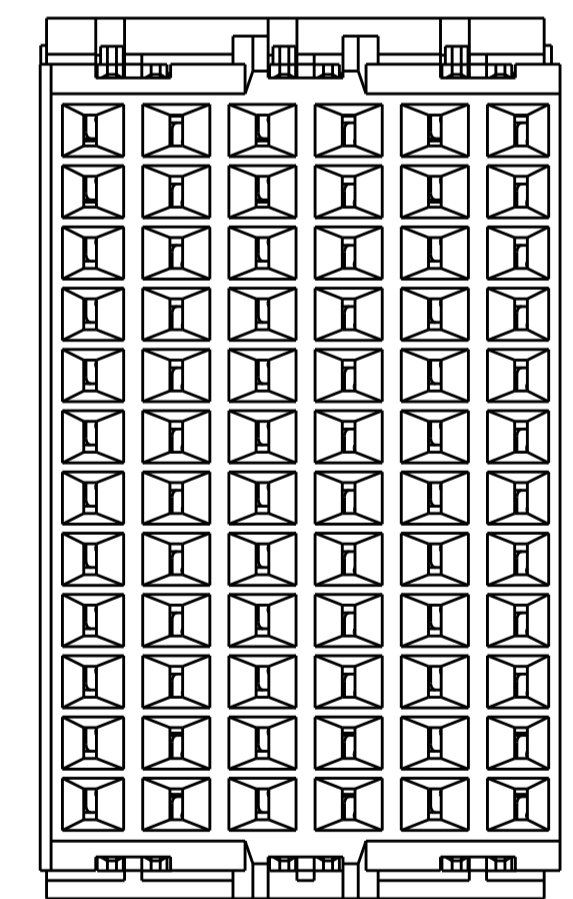
⚠ MATERIAL:
 HOUSING: LCP, GLASS FILLED, UL94V-0.
 TERMINALS: HIGH PERFORMANCE COPPER ALLOY.

⚠ FINISH:
 30μ" SELECTIVE GOLD IN CONTACT AREA. SELECTIVE TIN ON PCB TAILS, NICKEL OVERALL.



SCALE 4:1

REFER TO WWW.TE.COM FOR PRODUCT AVAILABILITY



RECOMMENDED PCB LAYOUT
 MIN BOARD THICKNESS 1.0

NONE	⚠	2132739-1
KEY POSITION	FINISH	PART NUMBER

THIS DRAWING IS A CONTROLLED DOCUMENT.		OWN B. CARBO 01MAR2011		NAME IMPACT, 4 PAIR, DAUGHTERCARD 6 COLUMN, UNGUIDED, SIGNAL MODULE, 0.39 EYELET		
DIMENSIONS:		CHK D. DIXON 01MAR2011				
TOLERANCES UNLESS OTHERWISE SPECIFIED:		APVD D. DIXON 01MAR2011				
mm		PRODUCT SPEC				
0 PLC ± 1 PLC ±0.25 2 PLC ±0.13 3 PLC ± 4 PLC ± ANGLES ±		APPLICATION SPEC	SIZE	CAGE CODE	DRAWING NO	RESTRICTED TO
MATERIAL		SEE TABLE	WEIGHT	A100779	C=2132739	
			CUSTOMER DRAWING	SCALE 6:1	SHEET 1 OF 1	REV C1

单击下面可查看定价，库存，交付和生命周期等信息

[>>TE Connectivity\(泰科\)](#)