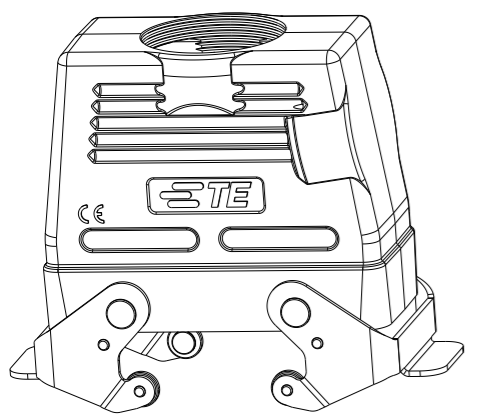
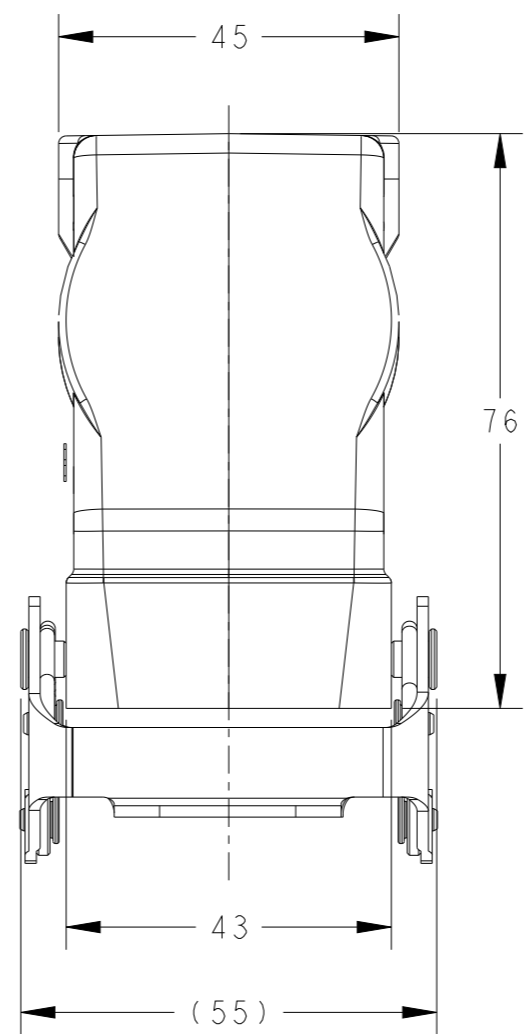
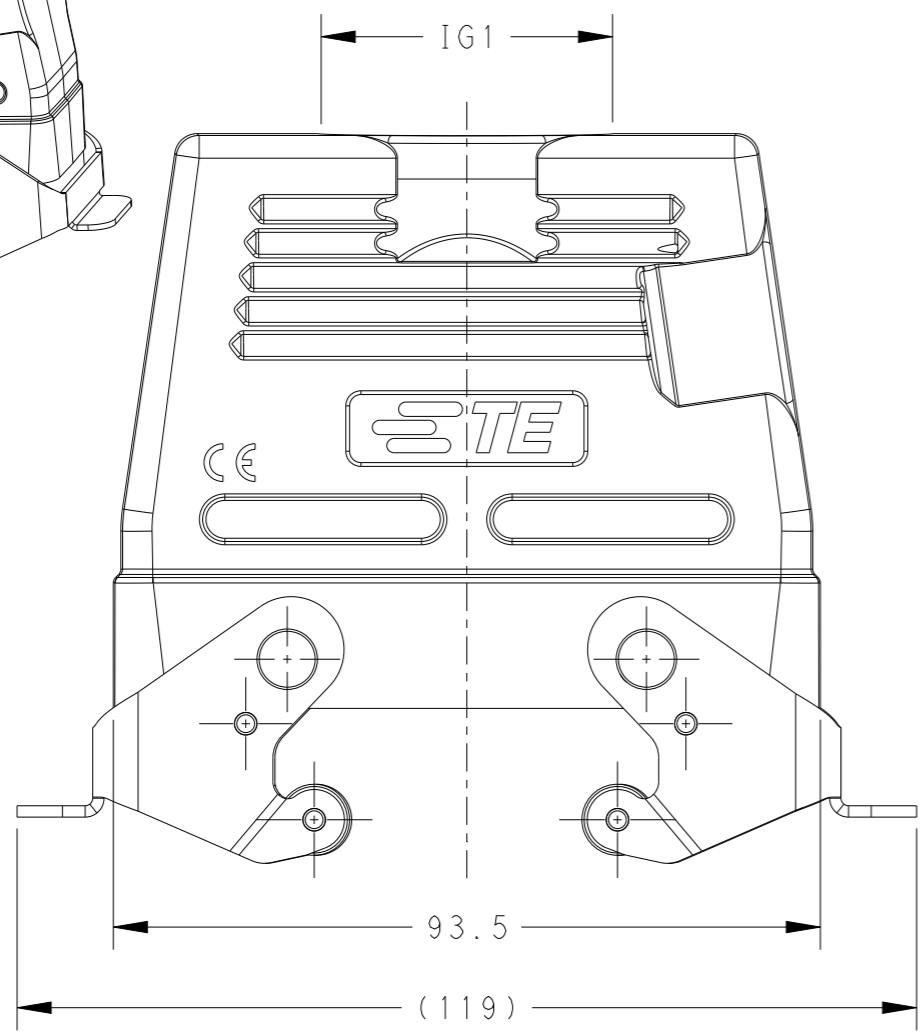


THIS DRAWING IS UNPUBLISHED. RELEASED FOR PUBLICATION 20
 © COPYRIGHT 20 BY - ALL RIGHTS RESERVED.

REVISIONS					
P	LTR	DESCRIPTION	DATE	DWN	APVD
	A	INITIAL	26MAY2015	DW	CW
	B	ECR-20-008190	18AUG2020	WQR	CW
	B1	ECR-21-105138	29JUN2021	WQR	CW

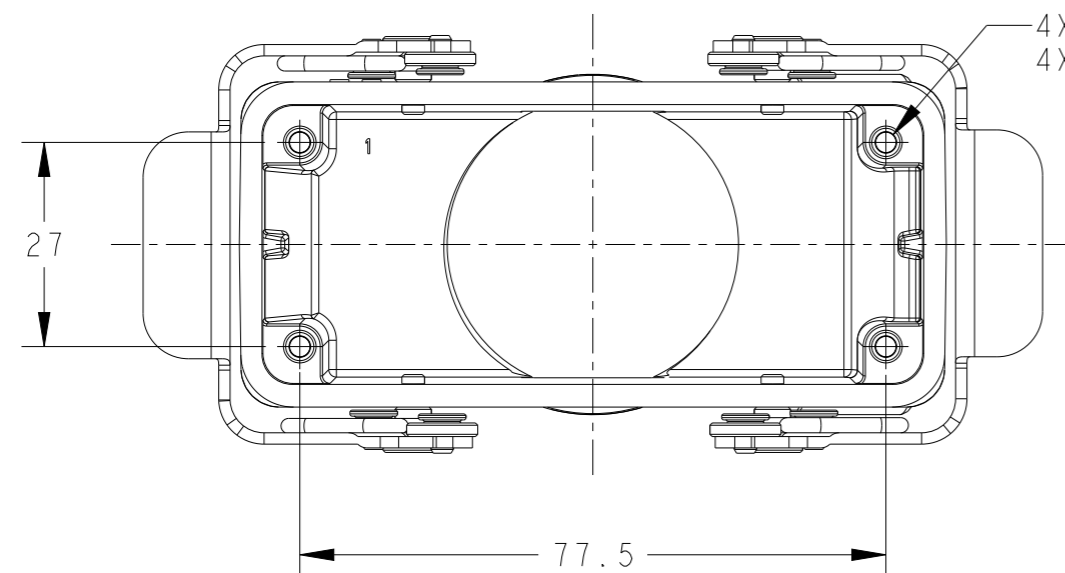


SCALE 1:2



NOTES:
 1. TECHNICAL CHARACTERISTICS:
 HOOD MATERIAL: DIE CAST ALUMINIUM ALLOY
 SURFACE: POWDER COATED, GREY
 DEGREE OF PROTECTION: IP65 (MATED)

注释:
 1. 技术参数:
 上壳材料: 铝合金
 表面处理: 粉末涂层, 灰色
 防护等级: IP65(配合)



T1280163121-000	H16B-TGBHS-PG21	HIGH CONSTRUCTION	PG21
T1280163129-000	H16B-TGBHS-PG29		PG29
T1280163125-000	H16B-TGBHS-M25		M25
T1280163132-000	H16B-TGBHS-M32		M32
T1280163140-000	H16B-TGBHS-M40		M40
PART NUMBER	DESCRIPTION	TYPE	IG1

THIS DRAWING IS A CONTROLLED DOCUMENT.		DWN 26MAY2015 David Wang	STE TE Connectivity	
		CHK 26MAY2015 Chris Wang		
DIMENSIONS: mm		APVD 26MAY2015 Xiang Xu	NAME H16B-TGBHS-M/PG	
TOLERANCES UNLESS OTHERWISE SPECIFIED:		PRODUCT SPEC 108-137013	RESTRICTED TO	
MATERIAL		APPLICATION SPEC 114-137013	SIZE A3	CAGE CODE 00779
		WEIGHT -	DRAWING NO T12801631XX000	
		Customer Drawing	SCALE 1:1	SHEET 1 OF 1
			REV B1	

单击下面可查看定价，库存，交付和生命周期等信息

[>>TE Connectivity\(泰科\)](#)