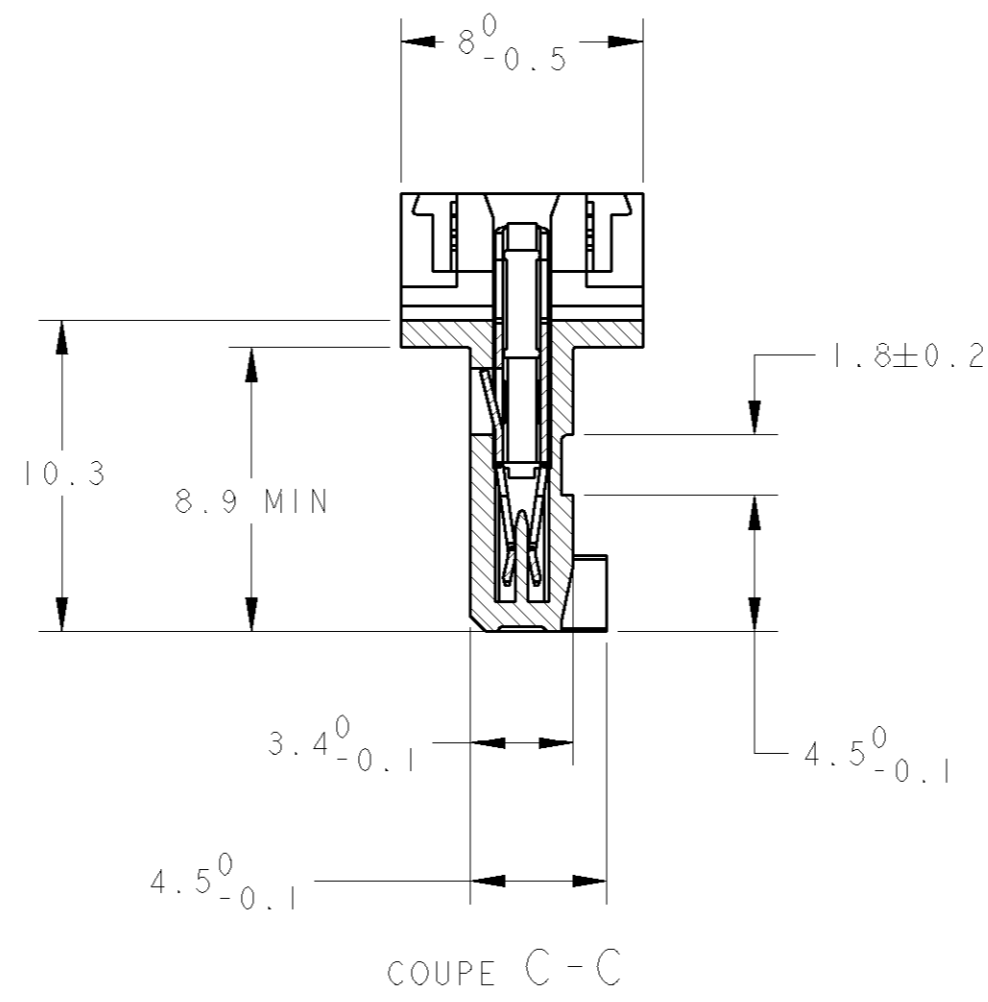
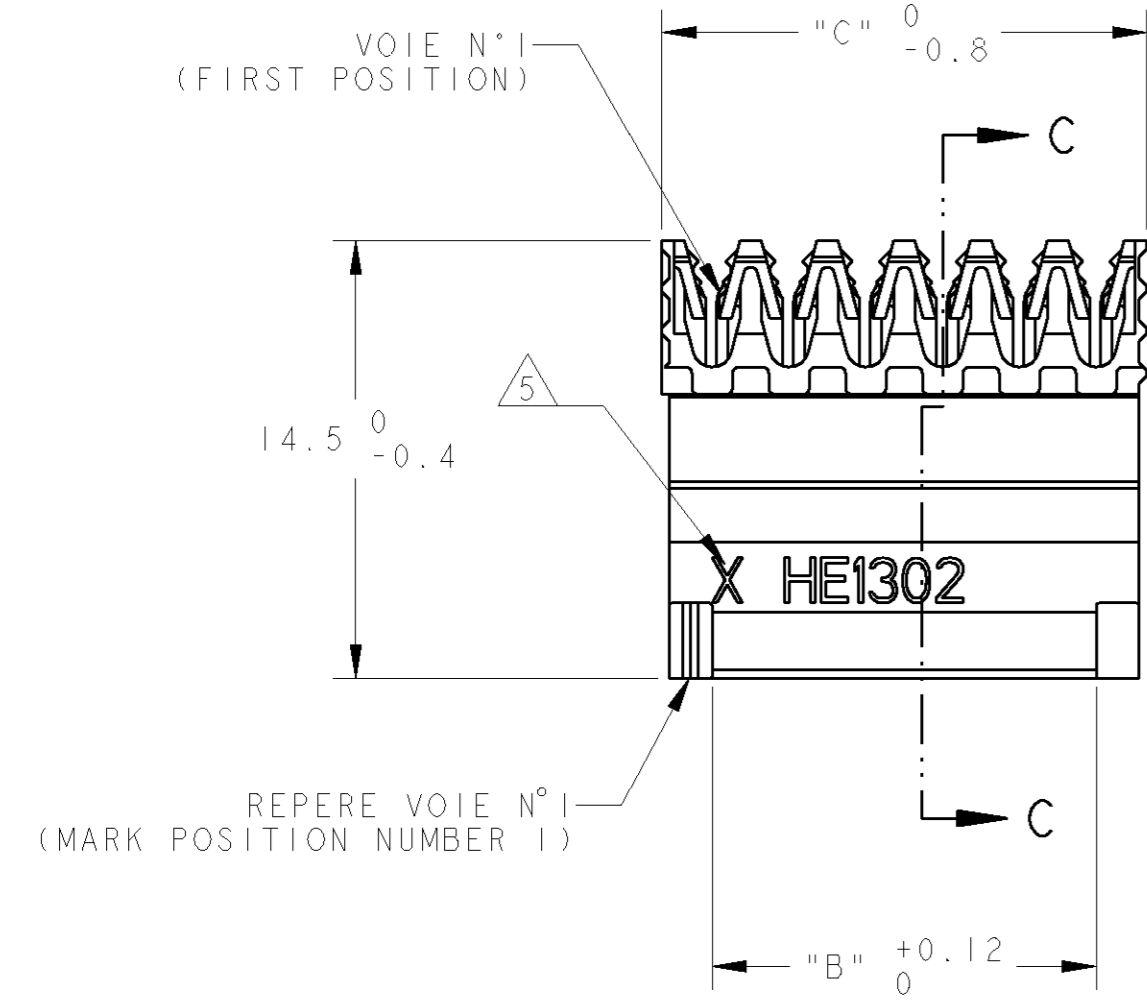
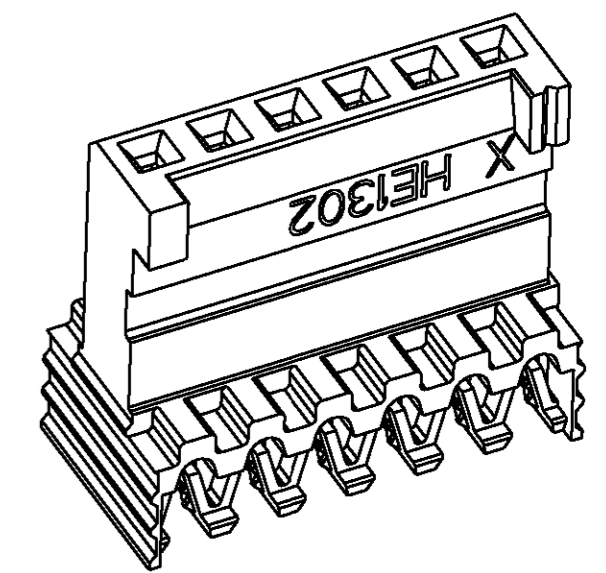
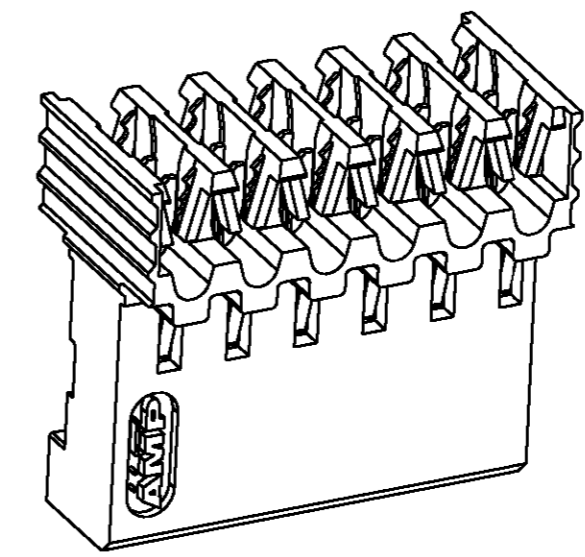
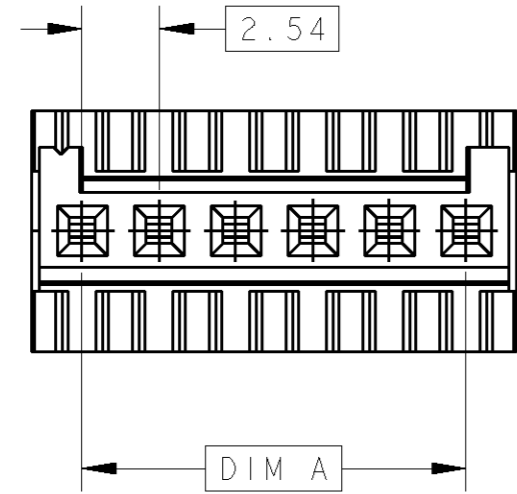


THIS DRAWING IS UNPUBLISHED. RELEASED FOR PUBLICATION  
 DIFFUSION RESTREINTE LIBRE A LA DIFFUSION  
 © COPYRIGHT 20 BY TYCO ELECTRONICS CORPORATION. ALL RIGHTS RESERVED.  
 TOUS DROITS RESERVES

FILS ADMISSIBLES (ACCEPTABLE WIRES)	
JAUGE (AWG) SECTION / 7 BRINS (7 STRANDS)	26 0.12mm <sup>2</sup>
ISOLANT: Ø MAX / MATIERE (INSUL.: Ø MAX / MAT'L)	Ø1 / PVC

REVISIONS					
P	LTR	DESCRIPTION MODIFICATIONS	DATE	DWN DESS.	APVD APP.
	A	REDESSINE SUR (REDRAWN ON) PRO/ENG	19SEP2002	CC	YP



OBSOLETE	9	64.30	60.96	25	2-281712-5	2-144274-5
OBSOLETE	9	61.76	58.42	24	2-281712-4	2-144274-4
OBSOLETE	10	59.22	55.88	23	2-281712-3	2-144274-3
OBSOLETE	10	56.68	53.34	22	2-281712-2	2-144274-2
OBSOLETE	10	54.14	50.80	21	2-281712-1	2-144274-1
OBSOLETE	11	51.60	48.26	20	2-281712-0	2-144274-0
OBSOLETE	12	49.06	45.72	19	1-281712-9	1-144274-9
	12	46.52	43.18	18	1-281712-8 *	1-144274-8 *
OBSOLETE	13	43.98	40.64	17	1-281712-7	1-144274-7
OBSOLETE	14	41.44	38.10	16	1-281712-6	1-144274-6
	15	38.90	35.56	15	1-281712-5 *	1-144274-5 *
OBSOLETE	16	36.36	33.02	14	1-281712-4	1-144274-4
OBSOLETE	17	33.82	30.48	13	1-281712-3	1-144274-3
	18	31.28	27.94	12	1-281712-2 *	1-144274-2 *
OBSOLETE	20	28.74	25.40	11	1-281712-1	1-144274-1
OBSOLETE	25	23.66	20.32	9	0-281712-9	0-144274-9
	25	21.12	17.78	8	0-281712-8 *	0-144274-8 *
	30	18.58	15.24	7	0-281712-7	0-144274-7
	35	16.04	12.70	6	0-281712-6 *	0-144274-6 *
	40	13.50	10.16	5	0-281712-5 *	0-144274-5 *
	50	10.96	7.62	4	0-281712-4 *	0-144274-4 *
	70	8.42	5.08	3	0-281712-3 *	0-144274-3 *
	100	5.88	2.54	2	0-281712-2	0-144274-2
QUANT / TUBE	C	A, B	Nb DE POS	4		VRAC (L.P.)
DIMENSIONS		REFERENCES (PART No)				

- 1 CES CONNECTEURS SONT PREVUS POUR ETRE ACCOUPLES AVEC LES EMBASES 'HE1302' SIMPLE RANGEE (THESE CONNECTEURS ARE DESIGNED TO BE MATED WITH 'HE1302' HEADERS SINGLE ROW)
- 2 LES REFERENCES SUIVIES D'UN ' \* ' SONT LES VERSIONS NORMALISEES SELON LA 'CEI 603-8' (THE PART-NO FOLLOWED BY ' \* ' ARE COVERED BY THE INTERNATIONAL STANDARD 'IEC 603-8')
- 3 REVETEMENT DES CONTACTS: 0.4µm OR DANS LA ZONE DE CONTACT, ETAIN SUR SORTIE CAD, SOUS-COUCHE NICKEL (CONTACT PLATING: 0.4µm GOLD ON CONTACT AREA, TIN ON I.D. BARREL AREA, NICKEL UNDER-PLATING)
- 4 CONNECTEURS CONDITIONNES SOUS TUBE PVC (THESE CONNECTEURS ARE PACKAGED IN TUBE)
- 5 ' X ' EST REMPLACE PAR LE DEUXIEME CHIFFRE DES JAUGES AWG (' X ' REPLACED BY THE SECOND DIGIT OF AWG AS DEFINED IN TABLE)
- 6 MATERIAUX - BOITIER: PBT UL94V0 - CONTACT: BRONZE PHOSPHOREUX (MATERIALS - CASE: PBT UL94V0 - CONTACT: PHOSPHOR BRONZE)

<small>THIS DRAWING IS A CONTROLLED DOCUMENT FOR TYCO ELECTRONICS CORPORATION IT IS SUBJECT TO CHANGE AND THE CONTROLLING ENGINEERING ORGANIZATION SHOULD BE CONTACTED FOR THE LATEST REVISION.                  CE PLAN EST UN DOCUMENT CONTRÔLÉ PAR AMP INCORPORATED. IL EST SUSCEPTIBLE D'ÊTRE REVISÉ. CONTACTER LE SERVICE TECHNIQUE D'AMP DE FRANCE POUR OBTENIR LA DERNIÈRE RÉVISION.</small>		DWN/DESSINE: 17NOV2000 C. COMBEDOUZON CHK/VERIFIE: 17NOV2000 T. CORRIQU APVD/APPROUVE: 17NOV2000 Y. PETRONIN	AMP DE FRANCE 95301 PONTOISE
DIMENSIONS: mm	TOLERANCES UNLESS OTHERWISE SPECIFIED: (SUIV NB DE DECIMALES) 0 PLC/DEC: ± 1 PLC/DEC: ±0.3 2 PLC/DEC: ± 3 PLC/DEC: ± 4 PLC/DEC: ± ANGLES: ±°	PRODUCT SPEC: 108-15053 SPEC. APPLICATION: 114-15030	NAME/TITRE: HE1302 PLUG 90deg IDC SINGLE ROW
MATERIAL/MATIERE: 6	FINISH/FINITION: 3	WEIGHT/MASSE APPROX.: CUSTOMER DRAWING /PLAN CLIENT	SIZE/FORMAT: A2 CAGE CODE: 00779 DRAWING NO: 281712 UNIQUEMENT POUR REFERENCE: 4 SCALE/ECHELLE: 4 SHEET FEUILLE: OF DE: REV A

单击下面可查看定价，库存，交付和生命周期等信息

[>>TE Connectivity\(泰科\)](#)