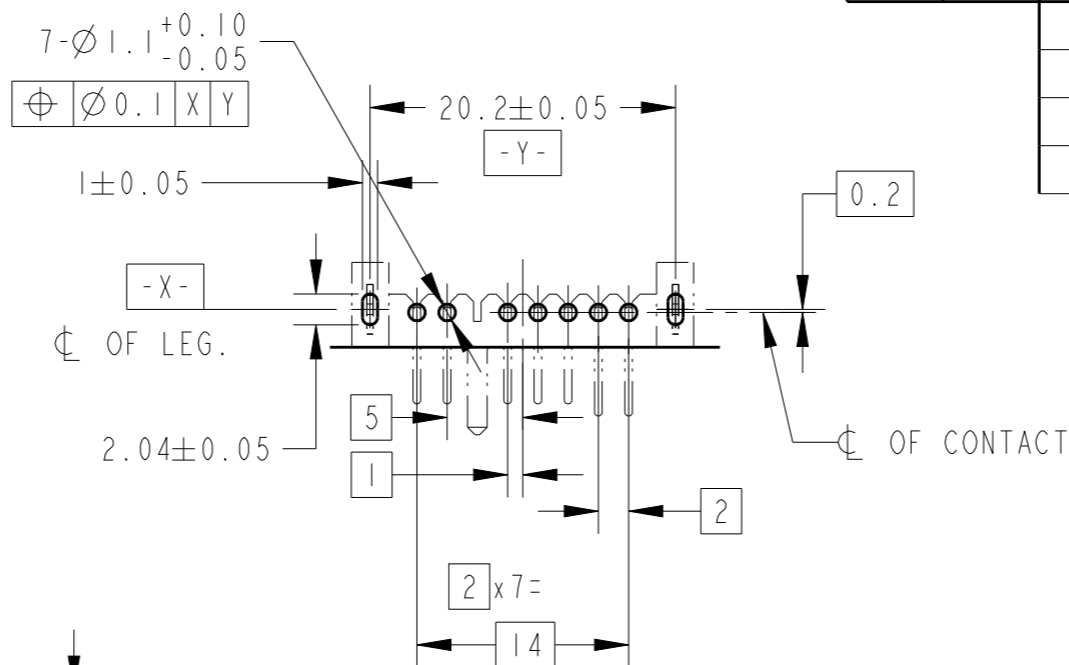
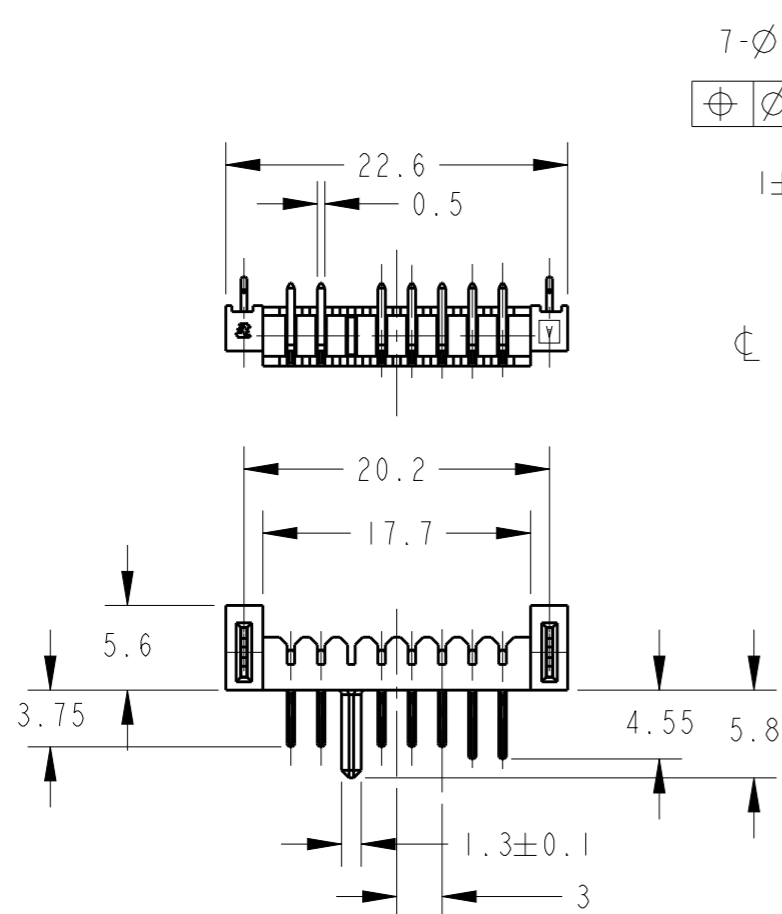


LOC  
ES

DIST  
-

REVISIONS

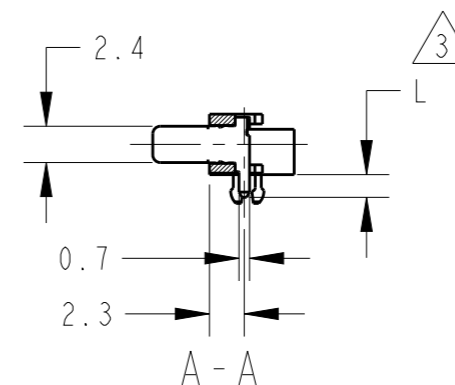
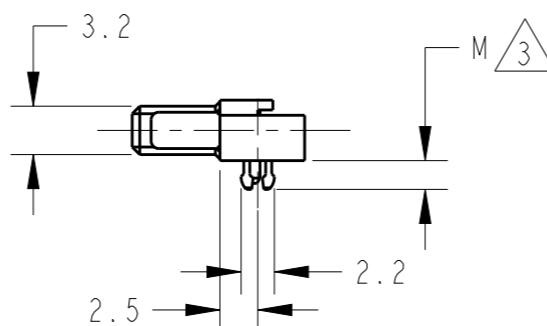
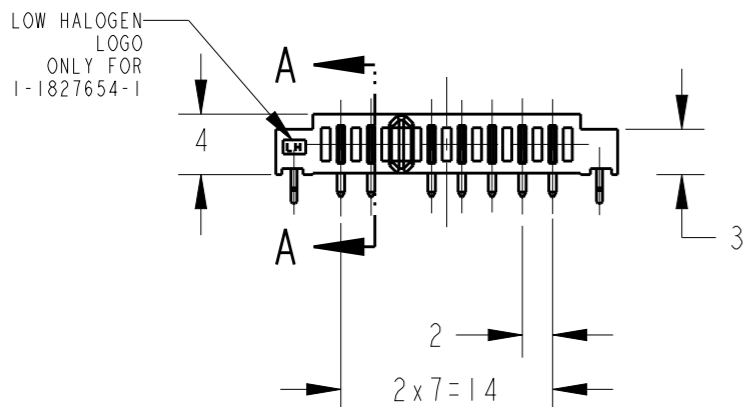
P	LTR	DESCRIPTION	DATE	DWN	APVD
D1		REVISED PER ECO-11-005033	16APR2011	RK	HMR
D2		REVISED PER ECR-13-003041	20FEB2013	E, L	S. Y
D3		REVISED PER ECR-13-007095	26APR2013	E. L	S. Y



**1 MATERIAL**  
 CONTACT: COPPER ALLOY  
 HOUSING: THERMOPLASTIC RESIN UL94V-0 BLACK  
 RETENTION LEG: COPPER ALLOY

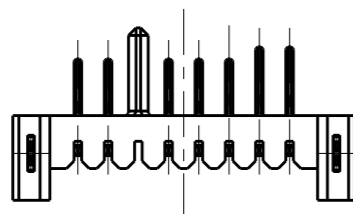
**2 FINISH**  
 CONTACT: NICKEL ALL OVER UNDER PLATING,  
 GOLD PLATING AT CONTACT AREA,  
 GOLD FLASH PLATING AT LEAD AREA,  
 RETENTION LEG: NICKEL ALL OVER UNDER PLATING,  
 TIN PLATING.

REFERENCE P.C BOARD LAYOUT  
 P.C. BOARD THK. 0.8~1.2  
 (VIEW FROM CONNECTOR MOUNTING SIDE)



1827654-1, 1-1827654-1: AS SHOWN

THERMOPLASTIC RESIN (LOW HALOGEN: BR<900PPM, CL<900PPM, BR+CL<1500ppm)	1.9	1.5	1-1827654-1
THERMOPLASTIC RESIN	2.6	2.1	1827654-2
THERMOPLASTIC RESIN	1.9	1.5	1827654-1
HOUSING MATERIAL	DIM "M"	DIM "L"	P/N



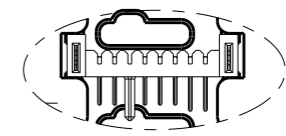
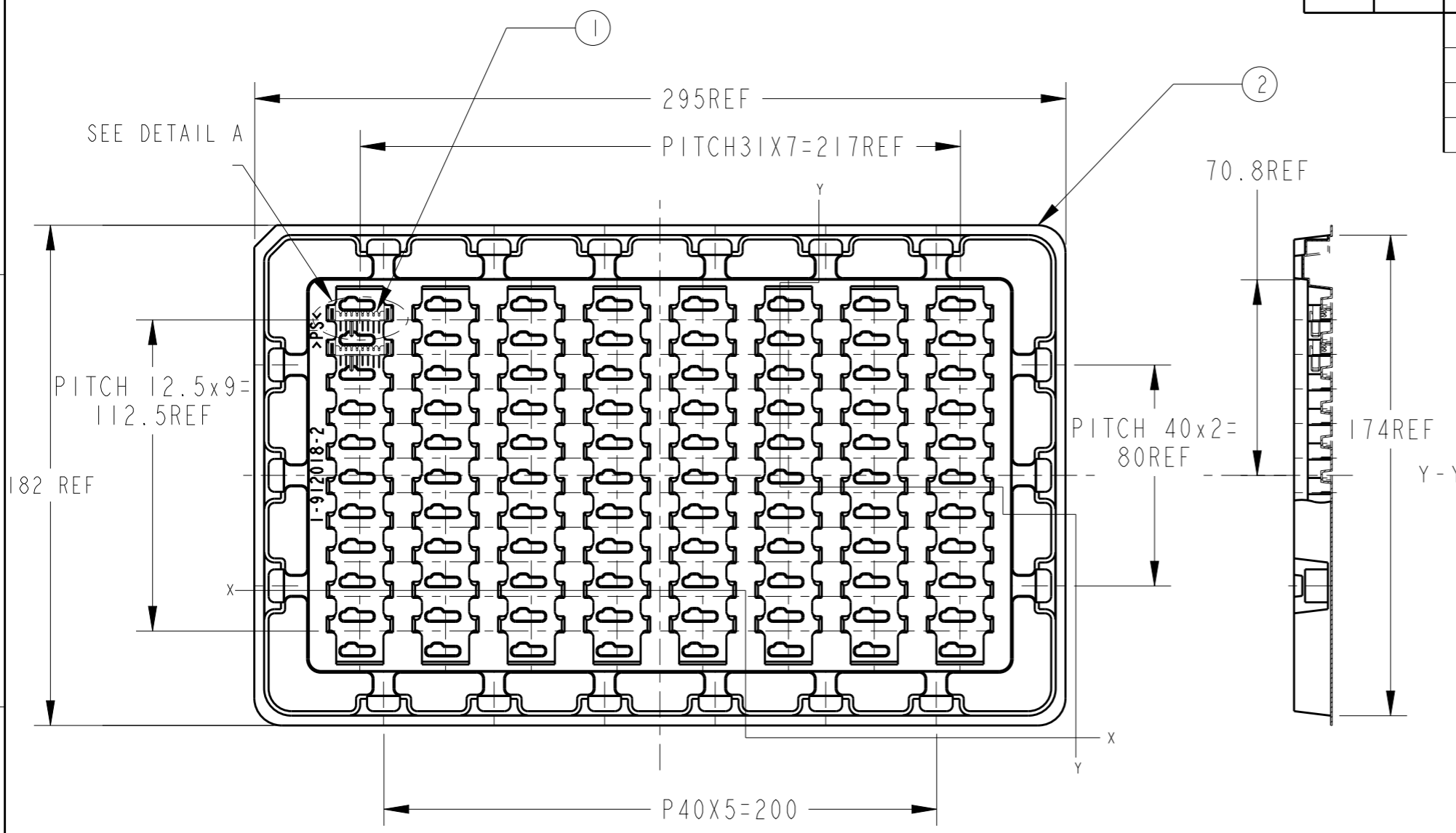
THIS DRAWING IS A CONTROLLED DOCUMENT.	
DIMENSIONS: mm	TOLERANCES UNLESS OTHERWISE SPECIFIED: ± 0.3
	0 PLC ±
	1 PLC ±0.1
	2 PLC ±0.01
	3 PLC ±0.001
	4 PLC ±0.0001
	ANGLES ±3°
MATERIAL SEE NOTE	FINISH SEE NOTE

DWN T. KATANO	04JUL05
CHK T. KIMURA	04JUL05
APVD T. KIMURA	04JUL05
PRODUCT SPEC	108-78292
APPLICATION SPEC	-
WEIGHT	1.0g
CUSTOMER DRAWING	

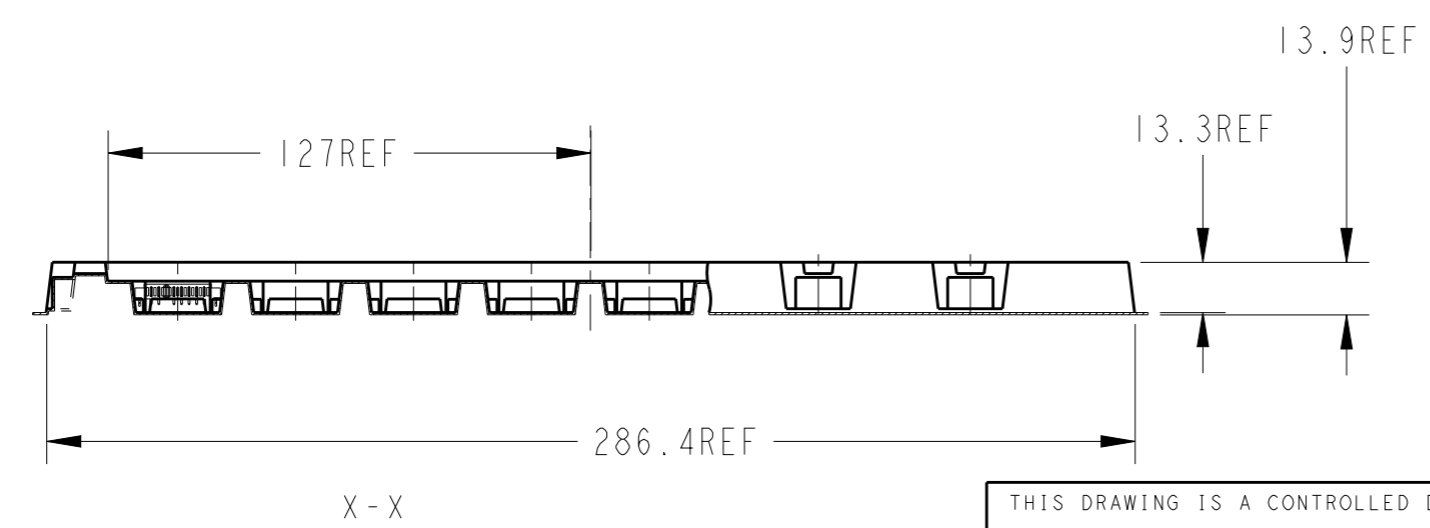
TE Connectivity		NAME	
		PLUG ASSEMBLY 7POS. 2mm PITCH BATTERY CONNECTOR	
SIZE	CAGE CODE	DRAWING NO	RESTRICTED TO
A3	00779	1827654	-
SCALE		SHEET	REV
2:1		1 OF 2	D3


THIS DRAWING IS UNPUBLISHED. RELEASED FOR PUBLICATION 20  
 © COPYRIGHT 20 ALL RIGHTS RESERVED.

LOC	DIST	REVISIONS			
P	LTR	DESCRIPTION	DATE	DWN	APVD
ES	-	SEE SHEET 1	-	-	-



AS SHOWN: 1827654-1/-2  
1-1827654-1



THIS DRAWING IS A CONTROLLED DOCUMENT.		DWN T. KATANO 04JUL05	 TE Connectivity	NAME PLUG ASSEMBLY 7POS. 2mm PITCH BATTERY CONNECTOR
DIMENSIONS: mm		CHK T. KIMURA 04JUL05		
TOLERANCES UNLESS OTHERWISE SPECIFIED:		APVD T. KIMURA 04JUL05		
0 PLC ±.0 1 PLC ±0.1 2 PLC ±0.01 3 PLC ±0.001 4 PLC ±0.0001 ANGLES ±3°		PRODUCT SPEC 108-78292		
MATERIAL SEE NOTE	FINISH SEE NOTE	APPLICATION SPEC -	SIZE A3	CAGE CODE 00779
		WEIGHT 1.0g	DRAWING NO C-1827654	RESTRICTED TO -
CUSTOMER DRAWING			SCALE 1:1	SHEET 2 OF 2
			REV D3	

单击下面可查看定价，库存，交付和生命周期等信息

[>>TE Connectivity\(泰科\)](#)