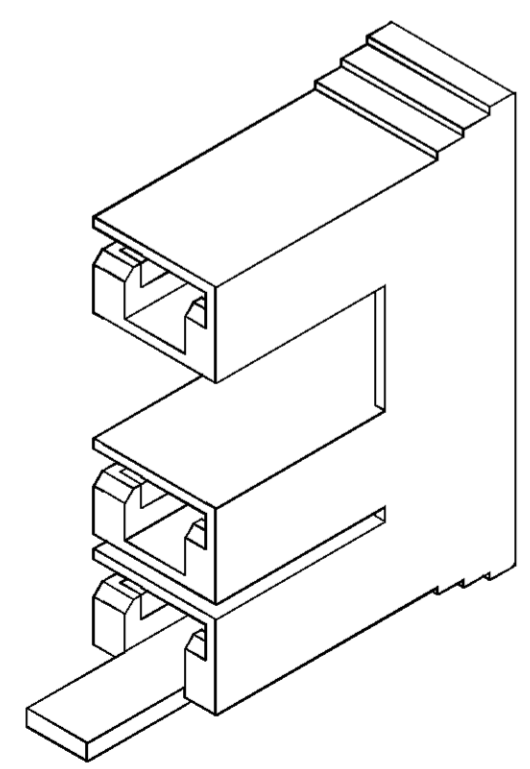
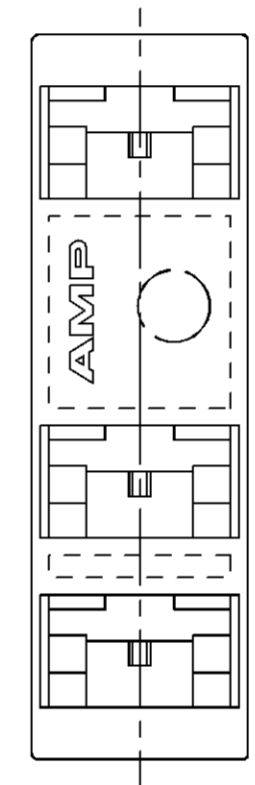
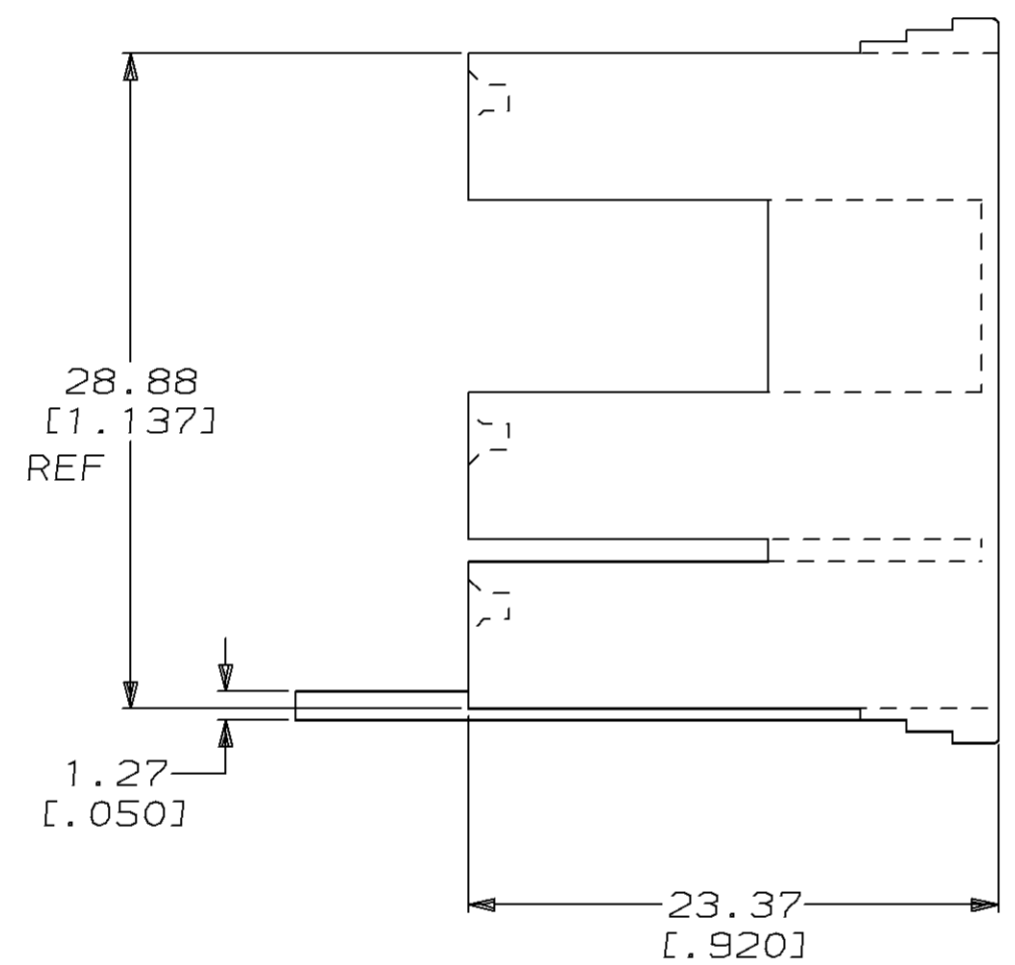
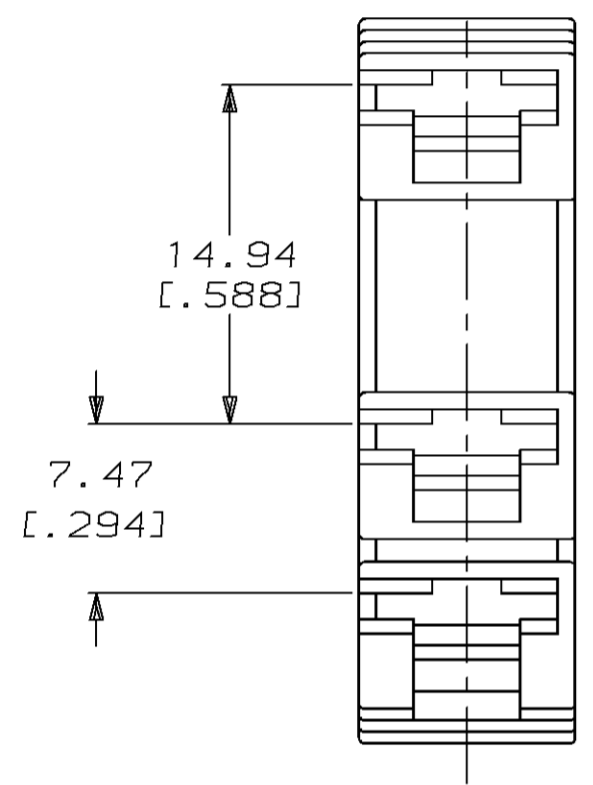
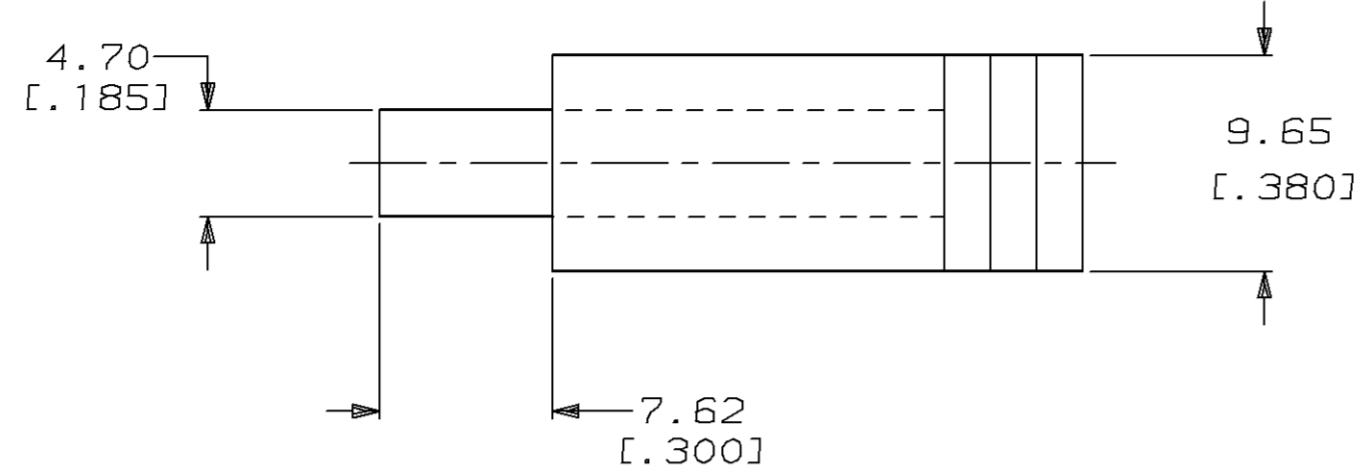


LOC	DIST	P	F	ZONE	LTR	DESCRIPTION	DATE	APPD
AF	50				A	REL -1 PER 0629-94	12/15/94	JR/RB

1 RECOMMENDED CENTERLINE SPACING OF MATING TABS ARE 7.47±0.13 [.294±.005] AND 14.94±0.13 [.588±.005].



3D VIEW

THIS DRAWING IS A CONTROLLED DOCUMENT FOR AMP INCORPORATED. IT IS SUBJECT TO CHANGE AND THE CONTROLLING ENGINEERING ORGANIZATION SHOULD BE CONTACTED FOR THE LATEST REVISION.

DO NOT SCALE PRINT. UNLESS SPECIFIED DIMENSIONS IN mm [INCHES] TOLERANCES ON : 2 PLC DEC ± 0.25 [.010] 3 PLC DEC ± - ANGLES ± -		DR 8/3/94 JR RUTH	AMP Incorporated Harrisburg, PA 17105-3608		
MATERIAL	6/6 NYLON	CHK 8/3/94 MS FEHER			
FINISH	BLACK	APPD 8/3/94 R BEAVER	NAME HOUSING, RECEPTACLE, FASTON™, 6.35 [.250] SERIES		
		APPD 8/3/94 R REINER	SIZE	CAGE CODE	DRAWING NO
		PRODUCT SPEC	C	00779	C=521070
		APPLICATION SPEC	SCALE	4:1	SHEET
		WEIGHT			1 OF 1

521070-1

PART NO

单击下面可查看定价，库存，交付和生命周期等信息

[>>TE Connectivity\(泰科\)](#)