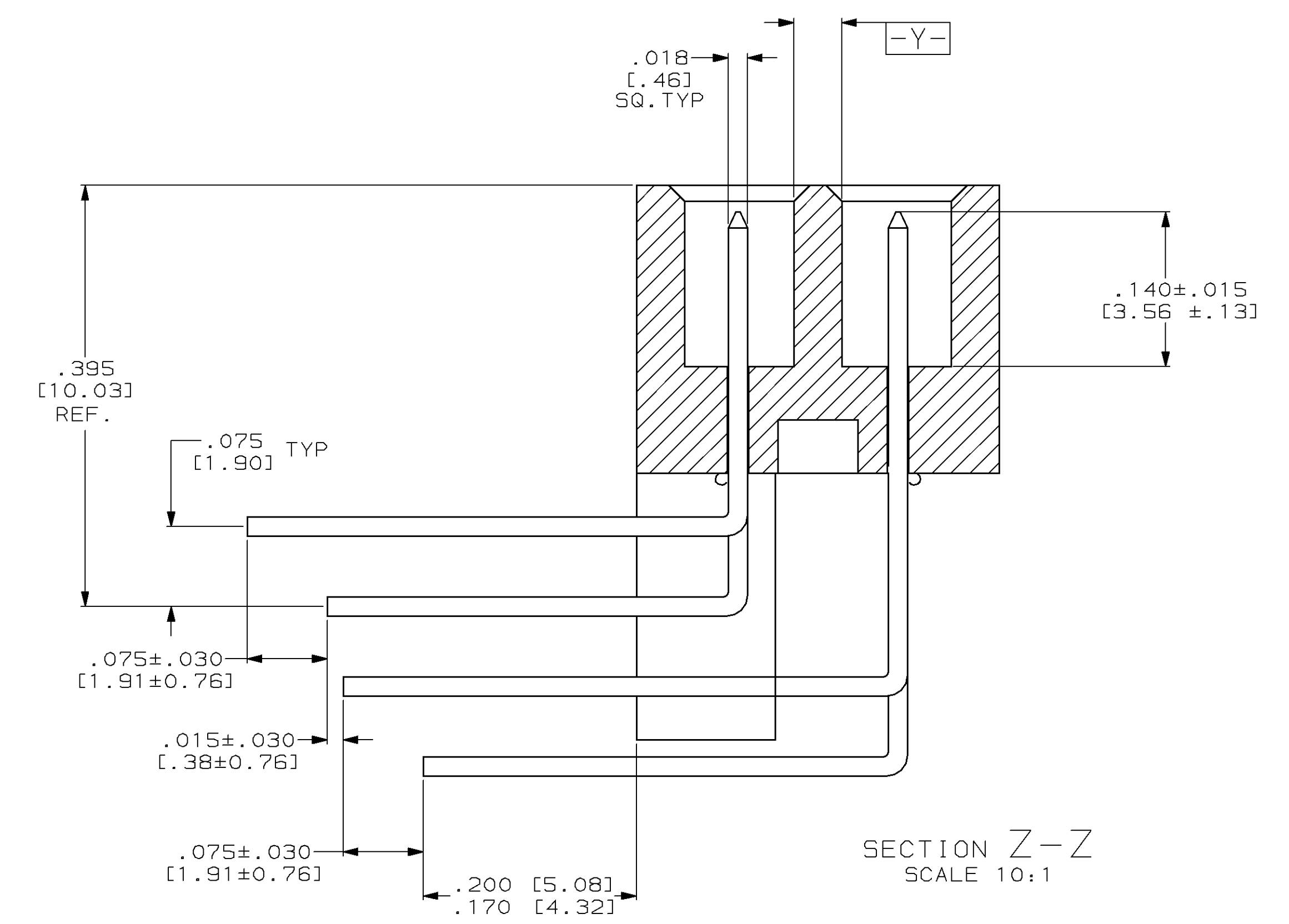
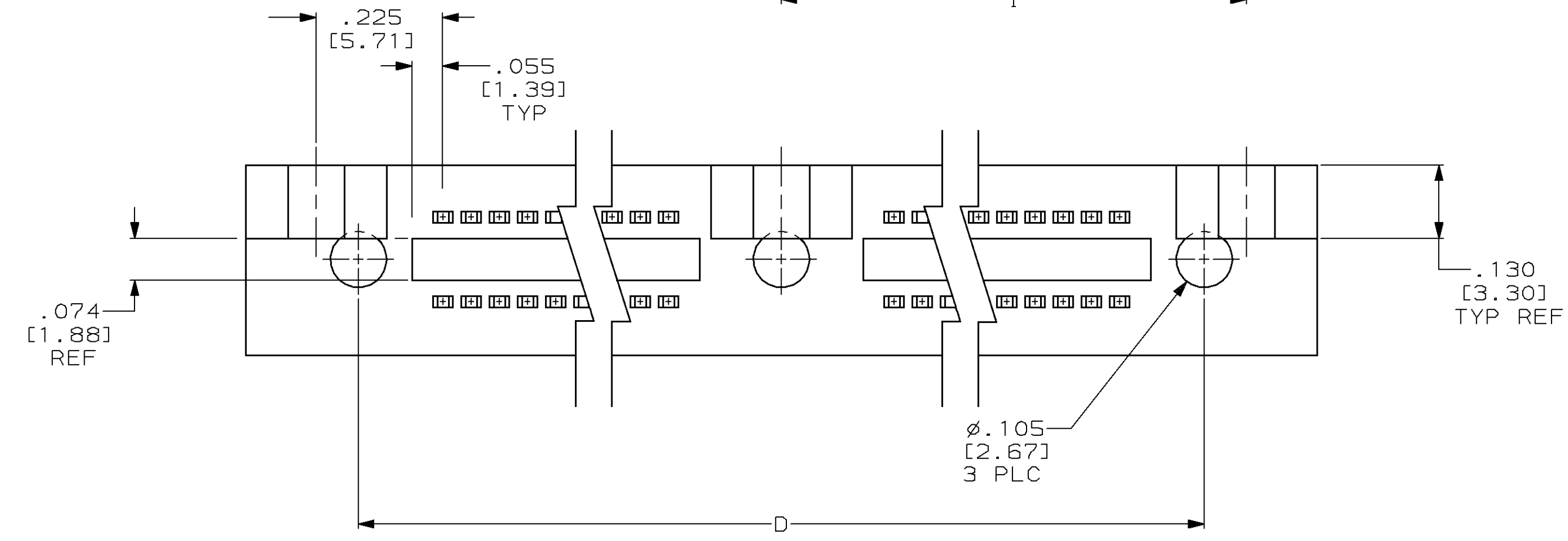
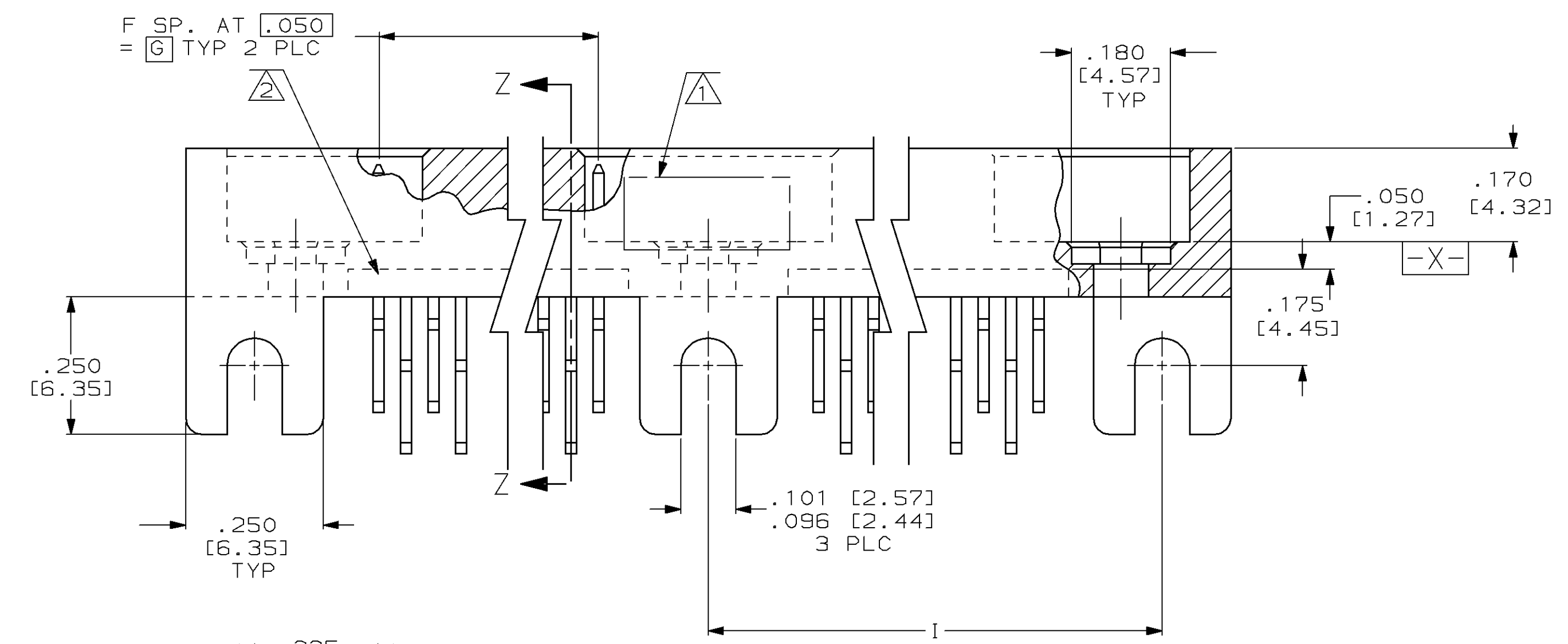
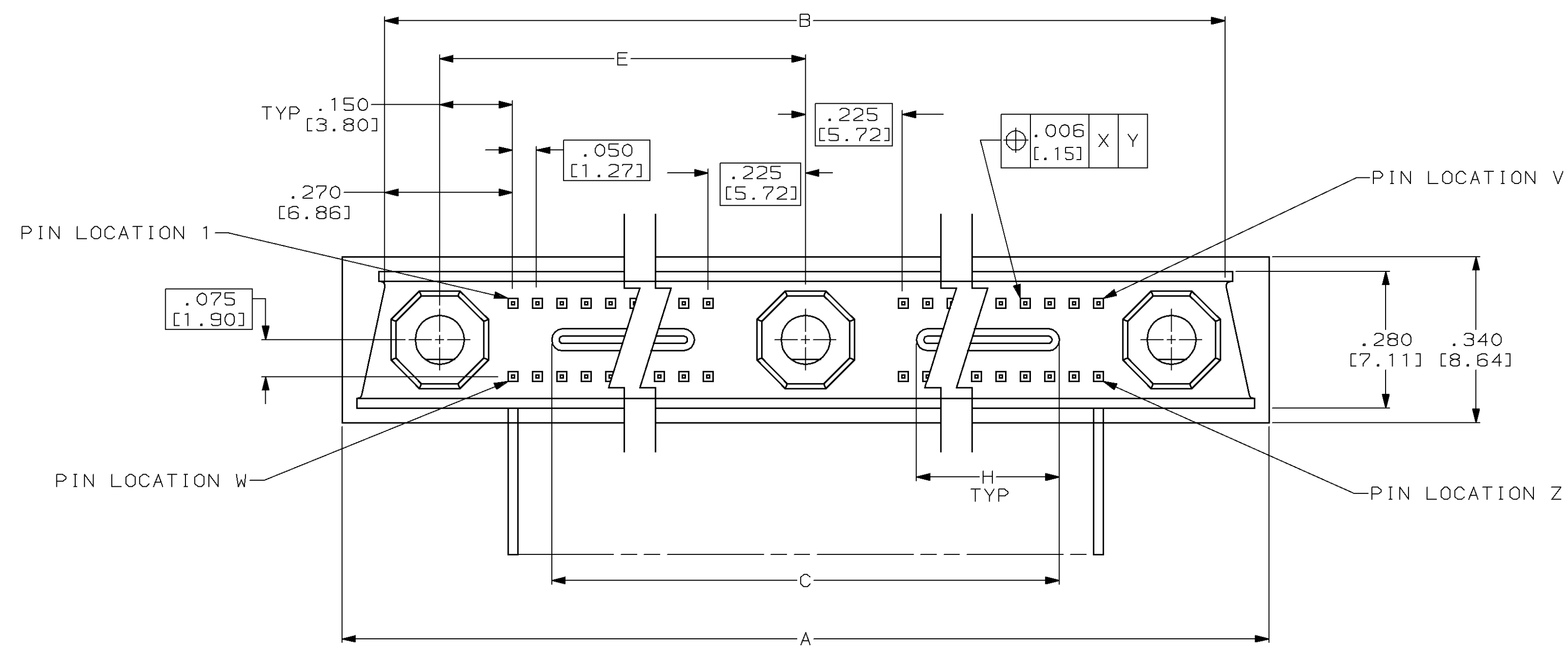
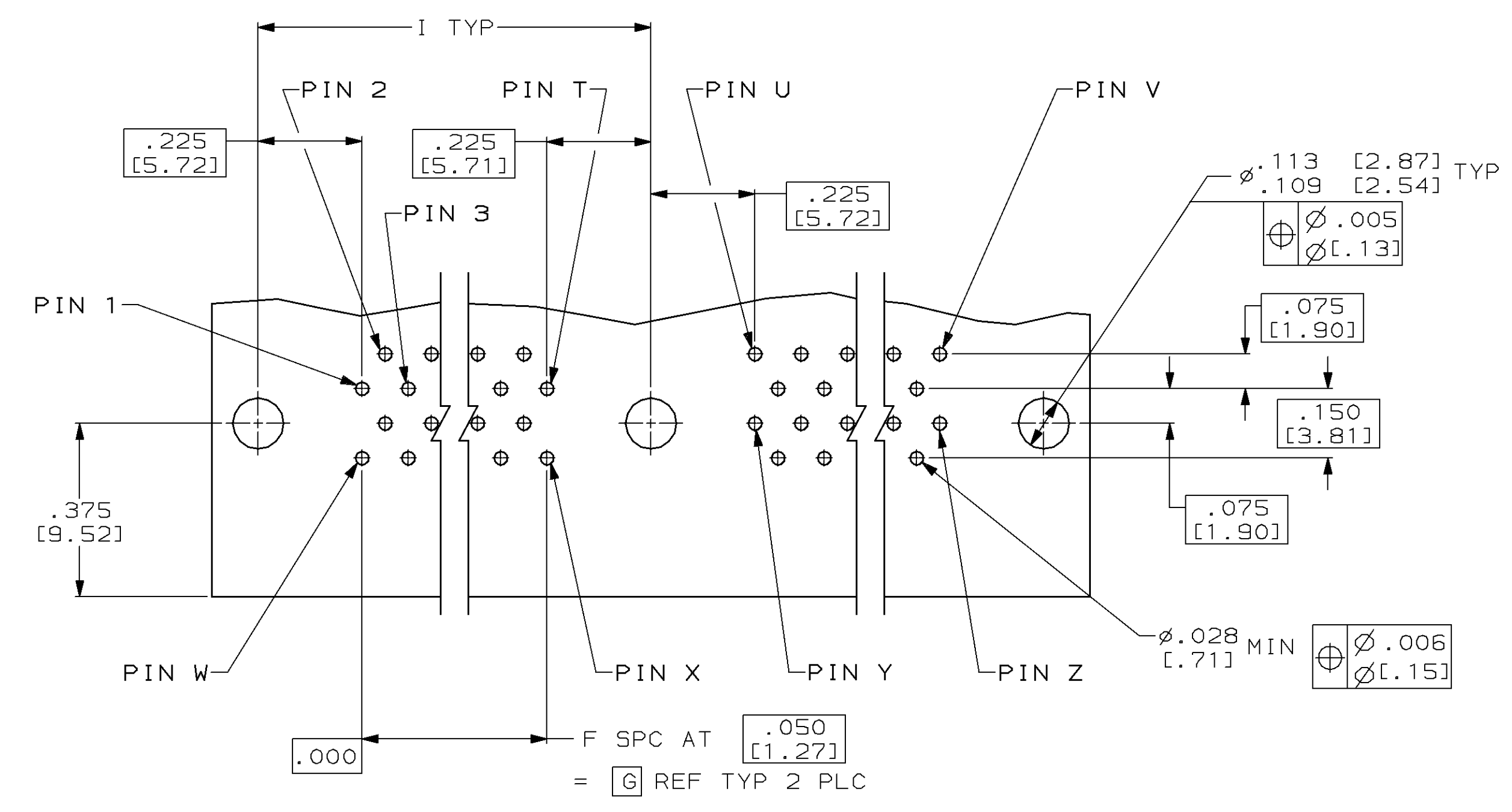


LOC	DIST	REV	PER	DESCRIPTION	DATE	OWN	APVD
DF	FO						
		K	REV PER	0600-2031-94	TA	9-20-94	TA DG
		L	REV PER	0600-2077-94	TA	9-20-94	TA DG
		M	REV PER	0600-2376-94	TA	9-20-94	TA DG
		N	REV PER	0600-2586-94	TA	9-22-94	TA DG
		P	REV PER	0600-3596-95		5-4-95	TA DG
		R	REV PER	0600-3893-95		10-18-95	TA DG

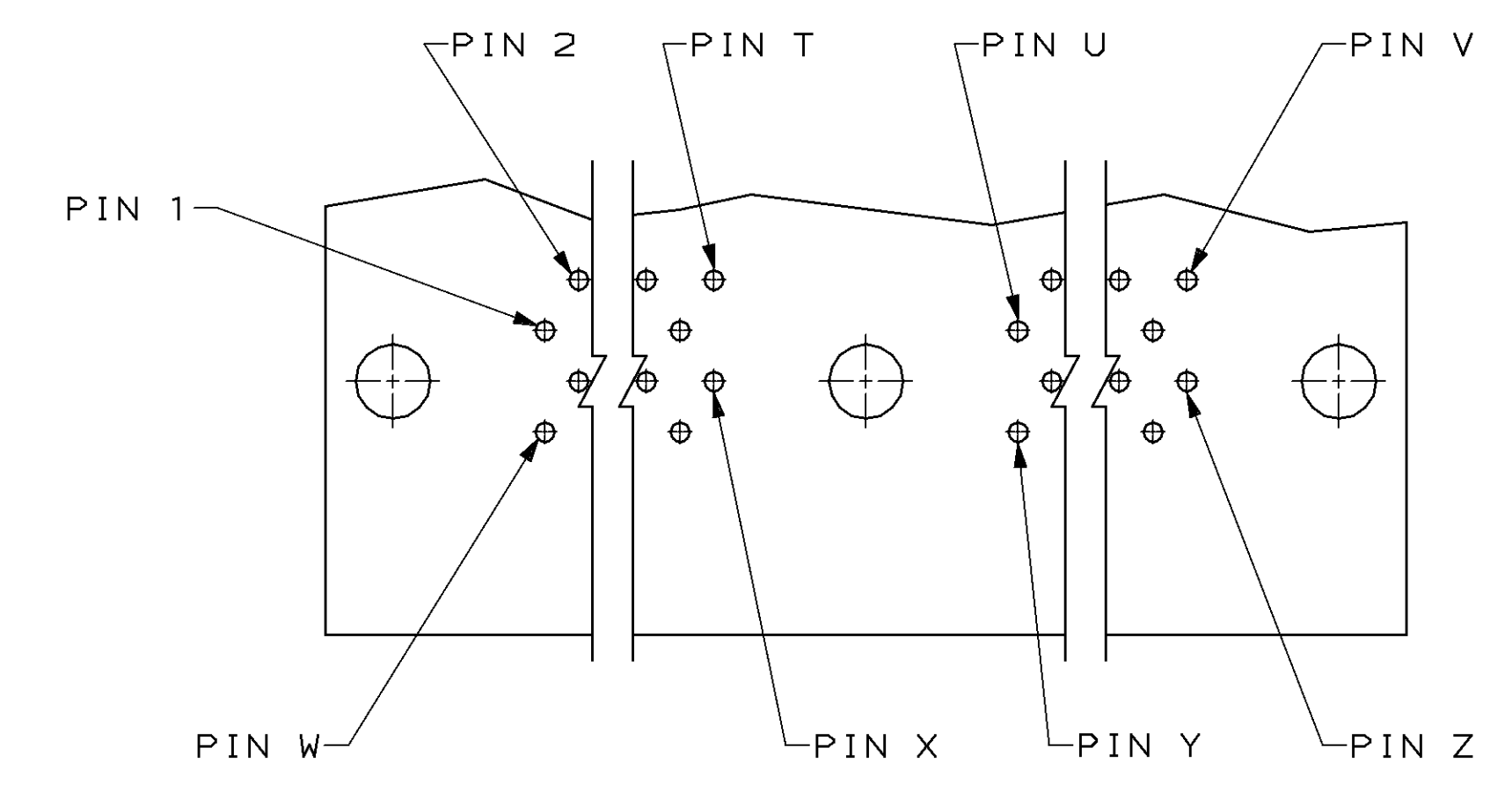


<small>THIS DRAWING IS A CONTROLLED DOCUMENT FOR AMP INCORPORATED. IT IS SUBJECT TO CHANGE AND THE CONTROLLING ENGINEERING DEPARTMENT SHALL BE CONTACTED FOR THE LATEST REVISION.</small>		DWN <b>T. ALEXANDER</b> 9-16-94	<b>AMP</b> AMP Incorporated Harrisburg, PA 17105-3608
DIMENSIONS: mm		CHK <b>D. GUTTER</b> 9-20-94	
TOLERANCES UNLESS OTHERWISE SPECIFIED: 0 PLC ±- 1 PLC ±- 2 PLC ±- 3 PLC ±.010 (0.25) 4 PLC ±- ANGLES 90°/30°		APVD <b>D. GUTTER</b> 9-20-94	NAME PIN HEADER ASSEMBLY, EXTENDED MINI-BOX, RIGHT ANGLE
MATERIAL FINISH		APPLICATION SPEC WEIGHT -	SIZE A1
CUSTOMER DRAWING		DRAWING NO C-534688	SHEET 1 OF 2

- 1. "AMP", PART NUMBER & DATE CODE MARKED IN THIS APPROX. AREA OPPOSITE SIDE.
- 2. NUMBERS INDICATING END POSITIONS MARKED OPPOSITE SIDE ONLY.
- 3. MEETS ALL APPLICABLE REQUIREMENTS OF MIL-C-55302.
- 4. FINISH: .000050 GOLD IN CONTACT AREA. TIN-LEAD ON CONTACT TAILS, ALL OVER NICKEL UNDERPLATE.
- 5. HOUSING MATERIAL: LIQUID CRYSTAL POLYMER PER MIL-M-24519, GLCP-30F; COLOR: GRAY.
- 6. DIMENSIONS IN BRACKETS ARE IN MILLIMETERS. METRIC EQUIVALENTS ARE BASED UPON 1.00 INCH = 25.4 mm.
- 7. CONTACT MATERIAL: BRASS.



RECOMMENDED PRINTED CIRCUIT BOARD LAYOUT  
(CONNECTOR SIDE)  
FOOT PRINT STYLE I  
(SEE TABLE)



RECOMMENDED PRINTED CIRCUIT BOARD LAYOUT  
(CONNECTOR SIDE)  
FOOT PRINT STYLE II  
(SEE TABLE)

II	200	151	150	101	100	51	50	1 & 100	2.900 [73.66]	2.290 [58.17]	2.450 [62.23]	49	2.825 [71.76]	5.650 [143.51]	5.190 [131.83]	5.890 [149.61]	6.050 [153.67]	200	534688-8
II	192	145	144	97	96	49	48	1 & 96	2.800 [71.12]	2.190 [55.63]	2.350 [59.69]	47	2.725 [69.22]	5.450 [138.43]	4.990 [126.75]	5.690 [144.53]	5.850 [148.59]	192	534688-7
I	172	130	129	87	86	44	43	1 & 86	2.550 [64.77]	1.940 [49.28]	2.100 [53.34]	42	2.475 [62.87]	4.950 [125.73]	4.490 [114.05]	5.190 [131.83]	5.350 [135.89]	172	534688-6
II	160	121	120	81	80	41	40	1 & 80	2.400 [60.96]	1.790 [45.47]	1.950 [49.53]	39	2.325 [59.06]	4.650 [118.11]	4.190 [106.43]	4.890 [124.21]	5.050 [128.27]	160	534688-5
II	152	115	114	77	76	39	38	1 & 76	2.300 [58.42]	1.690 [42.93]	1.850 [46.99]	37	2.225 [56.52]	4.450 [113.03]	3.990 [101.35]	4.690 [119.13]	4.850 [123.19]	152	534688-4
I	140	106	105	71	70	36	35	1 & 70	2.150 [54.61]	1.540 [39.12]	1.700 [43.18]	34	2.075 [52.71]	4.150 [105.41]	3.690 [93.73]	4.390 [111.51]	4.550 [115.57]	140	534688-3
I	132	100	99	67	66	34	33	1 & 66	2.050 [52.07]	1.440 [36.58]	1.600 [40.64]	32	1.975 [50.17]	3.950 [100.33]	3.490 [88.65]	4.190 [106.43]	4.350 [110.49]	132	534688-2
I	180	136	135	91	90	46	45	1 & 90	2.650 [67.31]	2.040 [51.82]	2.200 [55.88]	44	2.575 [65.41]	5.150 [130.81]	4.690 [119.13]	5.390 [136.91]	5.550 [140.97]	180	534688-1
FOOT PRINT STYLE	Z	Y	X	W	V	U	T	CAVITY IDENT.	I	H	[G]	F	E	D	C	B	A	POSN.	PART NO.

THIS DRAWING IS A CONTROLLED DOCUMENT FOR AMP INCORPORATED. IT IS SUBJECT TO CHANGE AND THE CONTROLLING ENGINEERING DEPARTMENT SHALL BE CONTACTED FOR THE LATEST REVISION.

DIMENSIONS:	TOLERANCES UNLESS OTHERWISE SPECIFIED:	DATE	BY
mm	0 PLC ±.010	9-16-94	T. ALEXANDER
	1 PLC ±.010	9-20-94	OK
	2 PLC ±.010	9-20-94	D. GUTTER
	3 PLC ±.010		D. GUTTER
	4 PLC ±.010		
	ANGLES 90°/30°		

**AMP** AMP Incorporated  
Harrisburg, PA 17105-3608

NAME: PIN HEADER ASSEMBLY, EXTENDED MINI-BOX, RIGHT ANGLE  
SIZE: A1  
CAGE CODE: 00779  
DRAWING NO: C-534688

CUSTOMER DRAWING SCALE: 4:1 SHEET: 2 OF 2 REV: R

单击下面可查看定价，库存，交付和生命周期等信息

[>>TE Connectivity\(泰科\)](#)