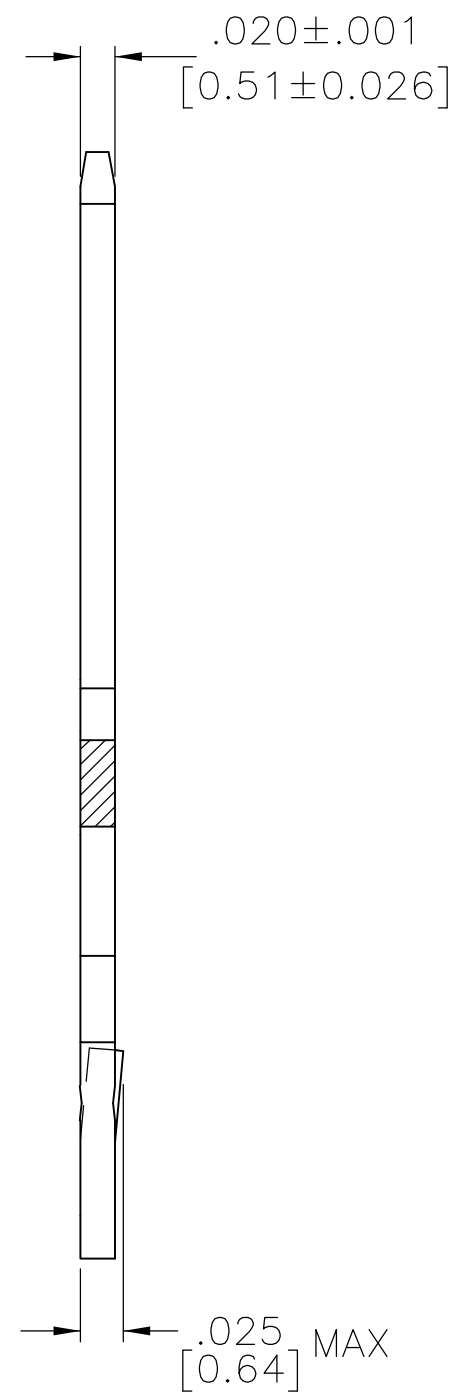
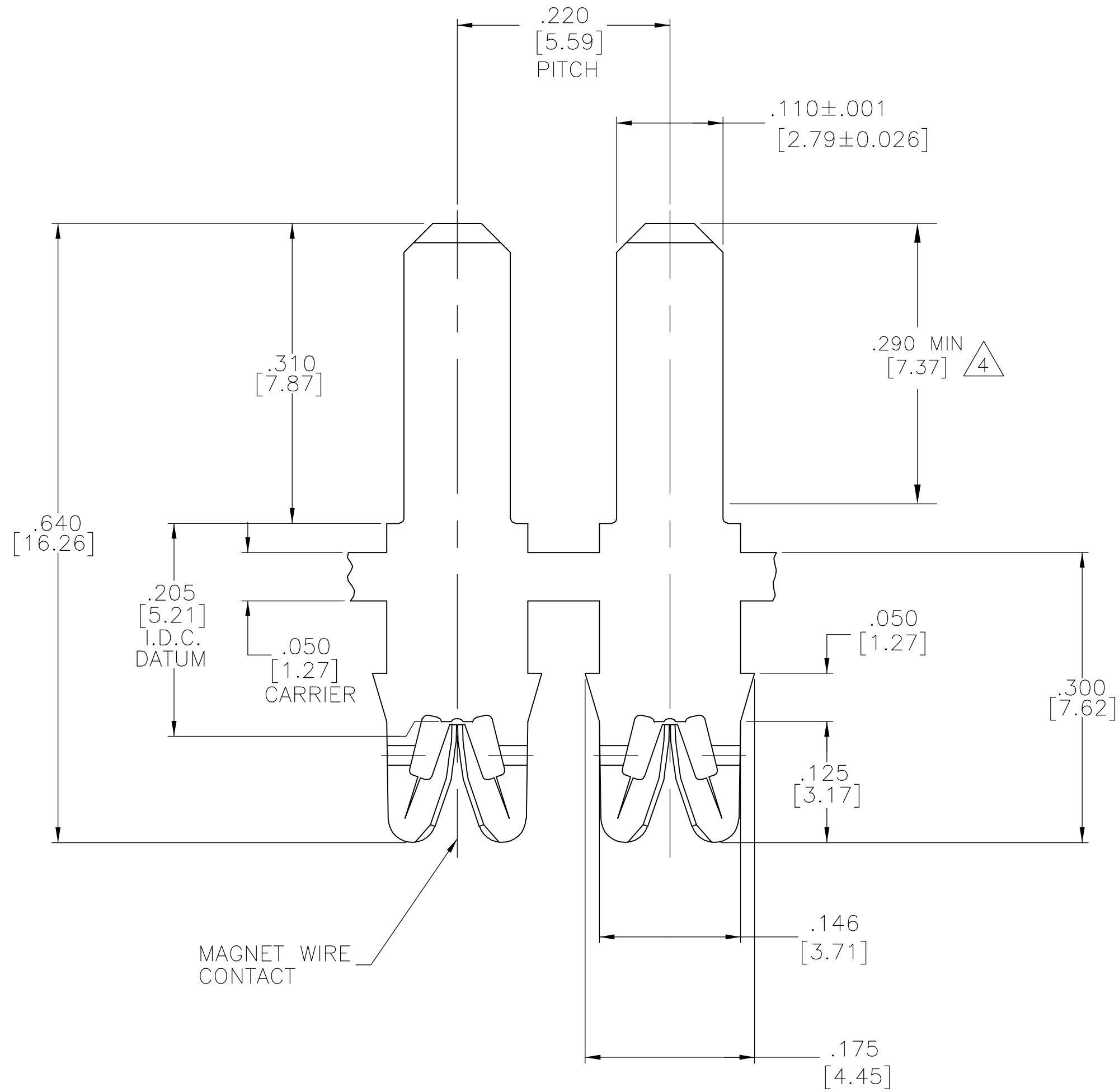
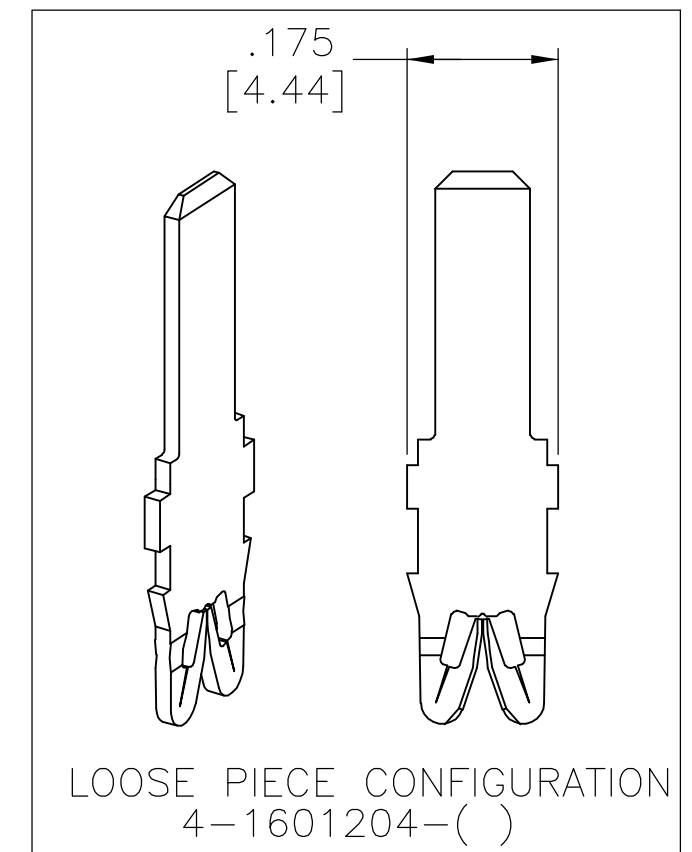


THIS DRAWING IS UNPUBLISHED. RELEASED FOR PUBLICATION
 © COPYRIGHT BY TYCO ELECTRONICS CORPORATION. ALL RIGHTS RESERVED.

LOC	DIST	REVISIONS			
P	LTR	DESCRIPTION	DATE	DWN	APVD
AF	50	A1	REVISED PER ECR-07-005881	16MAR07	HMR GJ



- 1 SPECIFICATION: MAGNET WIRE #18-#34 AWG, .006-.040 [0.16-1.02mm] DIA COPPER.
- 2 POCKET RECOMMENDATION: 1601425.
- 3 TERMINAL APPLICATION TO COMPLY WITH TYCO ELECTRONICS SPECIFICATION 114-13166 FIGURE 7.
- 4 THICKNESS AND WIDTH MAINTAINED FOR THIS LENGTH. EDGES ARE COINED WITH NO BURRS.



PRE TIN PLATE	1601204-2
FINISH	PART NUMBER

THIS DRAWING IS A CONTROLLED DOCUMENT.		DWN 10MAR2005 MICHAEL S. FEHER	Tyco Electronics Corporation Harrisburg, Pa 17105-3608
DIMENSIONS: INCHES		CHK 11MAR2005 GENE JACONO	
TOLERANCES UNLESS OTHERWISE SPECIFIED:		APVD 11MAR2005 GENE JACONO	NAME
0 PLC ± - 1 PLC ± - 2 PLC ± .01[0.25] 3 PLC ± .005[0.13] 4 PLC ± - ANGLES ± 2°		PRODUCT SPEC 108-2085	STD. RANGE WIRE TO .110 X .020 TAB SIAMEZE TERMINAL
MATERIAL BRASS, SPRING HARD		FINISH SEE TABLE	WEIGHT -
CUSTOMER DRAWING		SCALE 9:1	RESTRICTED TO -
		SHEET 1 OF 1	REV A1

单击下面可查看定价，库存，交付和生命周期等信息

[>>TE Connectivity\(泰科\)](#)