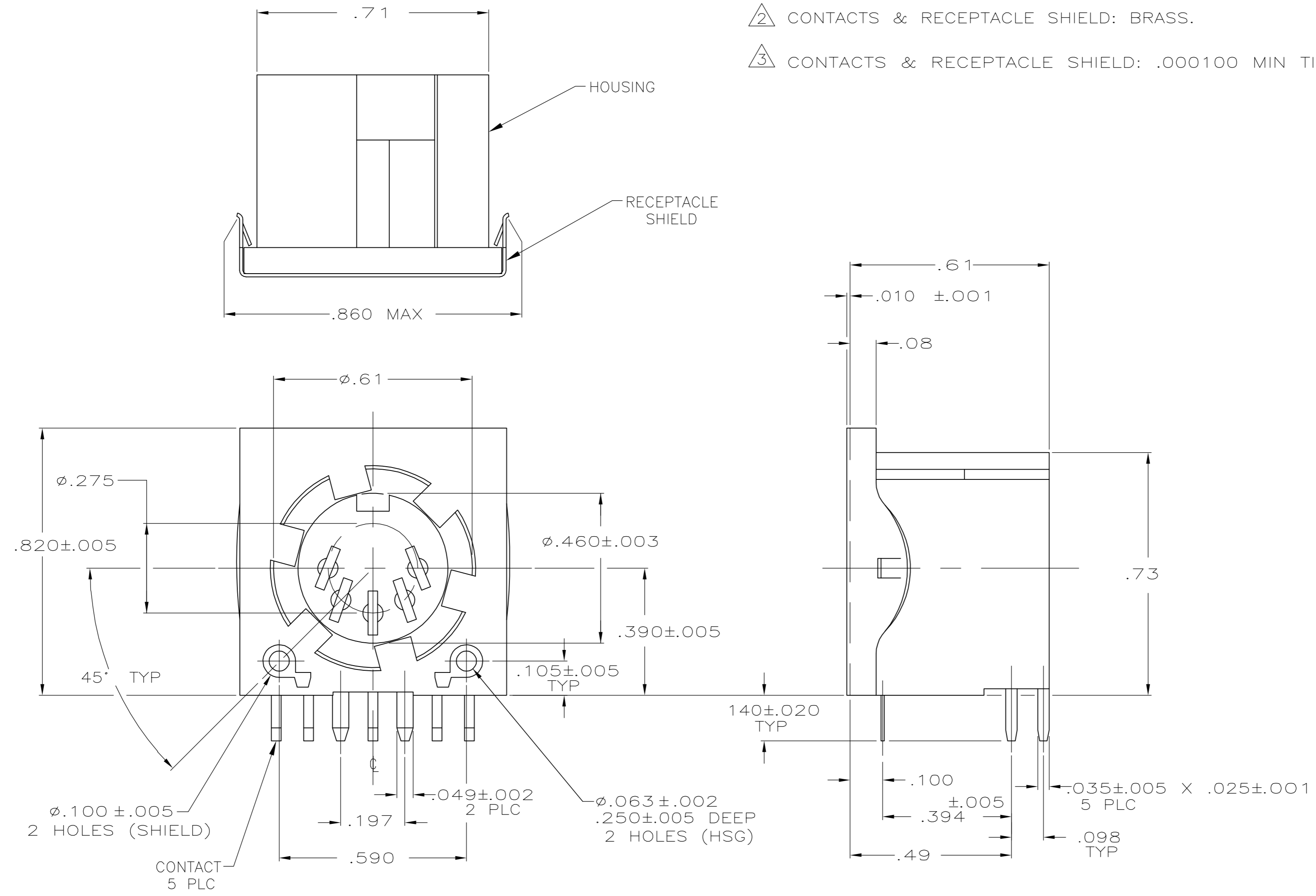


THIS DRAWING IS UNPUBLISHED. RELEASED FOR PUBLICATION  
 © COPYRIGHT BY TYCO ELECTRONICS CORPORATION. ALL RIGHTS RESERVED.

LOC		DIST		REVISIONS			
P	LTR	DESCRIPTION		DATE	DWN	APVD	
GP	00	01	REVISED PER ECO-07-008008		10APR07	JDP/CWR	

- ① HOUSING: NYLON, GLASS-FILLED, UL 94V-0 RATED, BLACK.
- ② CONTACTS & RECEPTACLE SHIELD: BRASS.
- ③ CONTACTS & RECEPTACLE SHIELD: .000100 MIN TIN OVER .000050 MIN NICKEL.



TUBE	5520842-2
GANG OF TUBES	5520842-1
PACKAGING TYPE	PART NO
Tyco Electronics Corporation Harrisburg, PA 17105-3608	
NAME: CIRCULAR DIN SHIELDED RECEPTACLE, 5 POSITION	
SIZE	RESTRICTED TO
A2	-
CAGE CODE	SCALE
00779	4:1
DRAWING NO	SHEET
C=5520842	1 of 1
REV	01

THIS DRAWING IS A CONTROLLED DOCUMENT.		DWN	11-12-04
		L. VARELA - DOCK5	
		CHK	11-12-04
		C. ROHDE	
		APVD	11-12-04
		M. WALMSLEY	
		PRODUCT SPEC	
		108-10047	
		APPLICATION SPEC	
		114-2105	
		WEIGHT	-
		CUSTOMER DRAWING	

DIMENSIONS:	TOLERANCES UNLESS OTHERWISE SPECIFIED:
mm [INCHES]	
	0 PLC ± -
	1 PLC ± -
	2 PLC ± .01
	3 PLC ± .010
	4 PLC ± -
	ANGLES ± -
	FINISH ③

单击下面可查看定价，库存，交付和生命周期等信息

[>>TE Connectivity\(泰科\)](#)