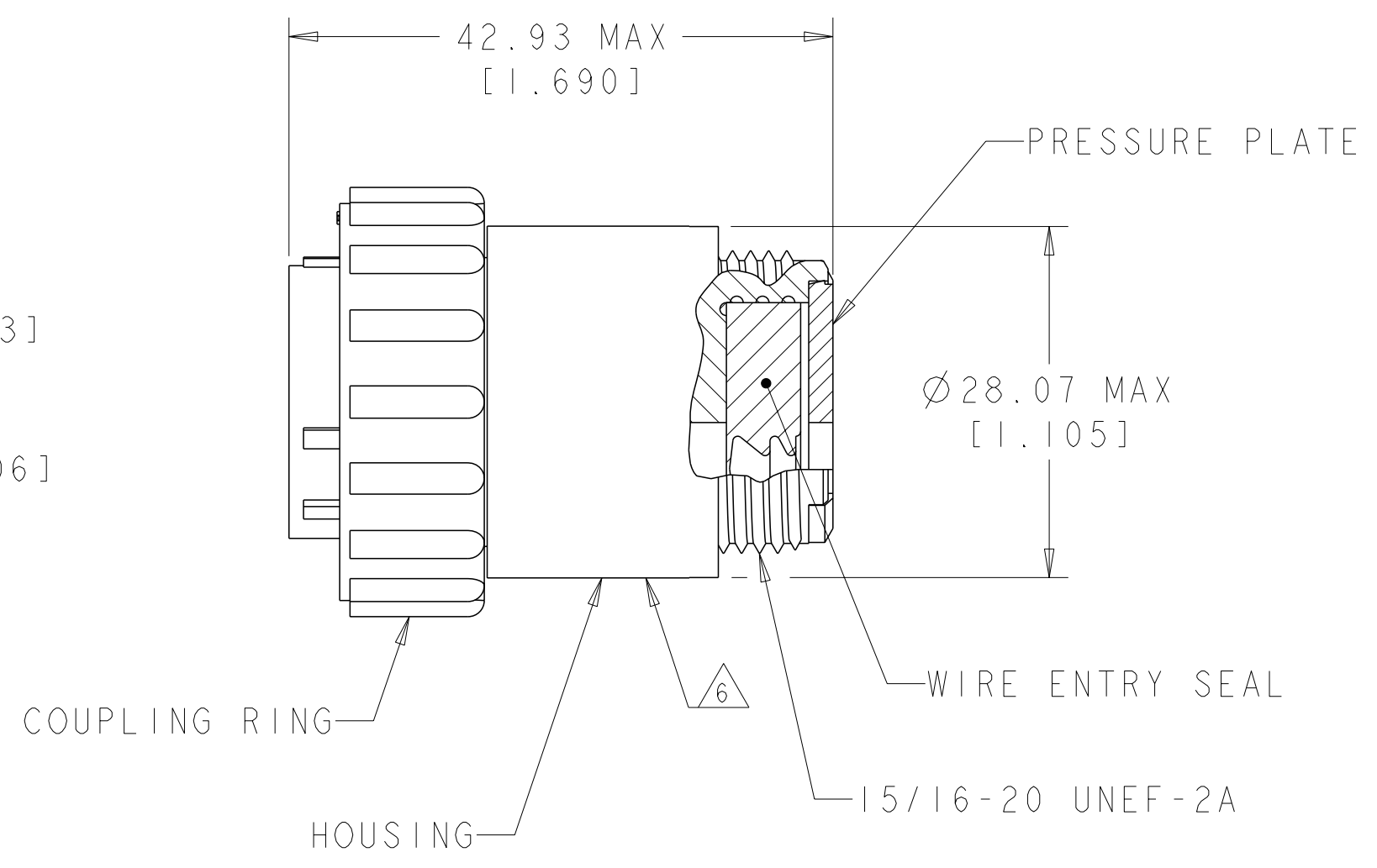
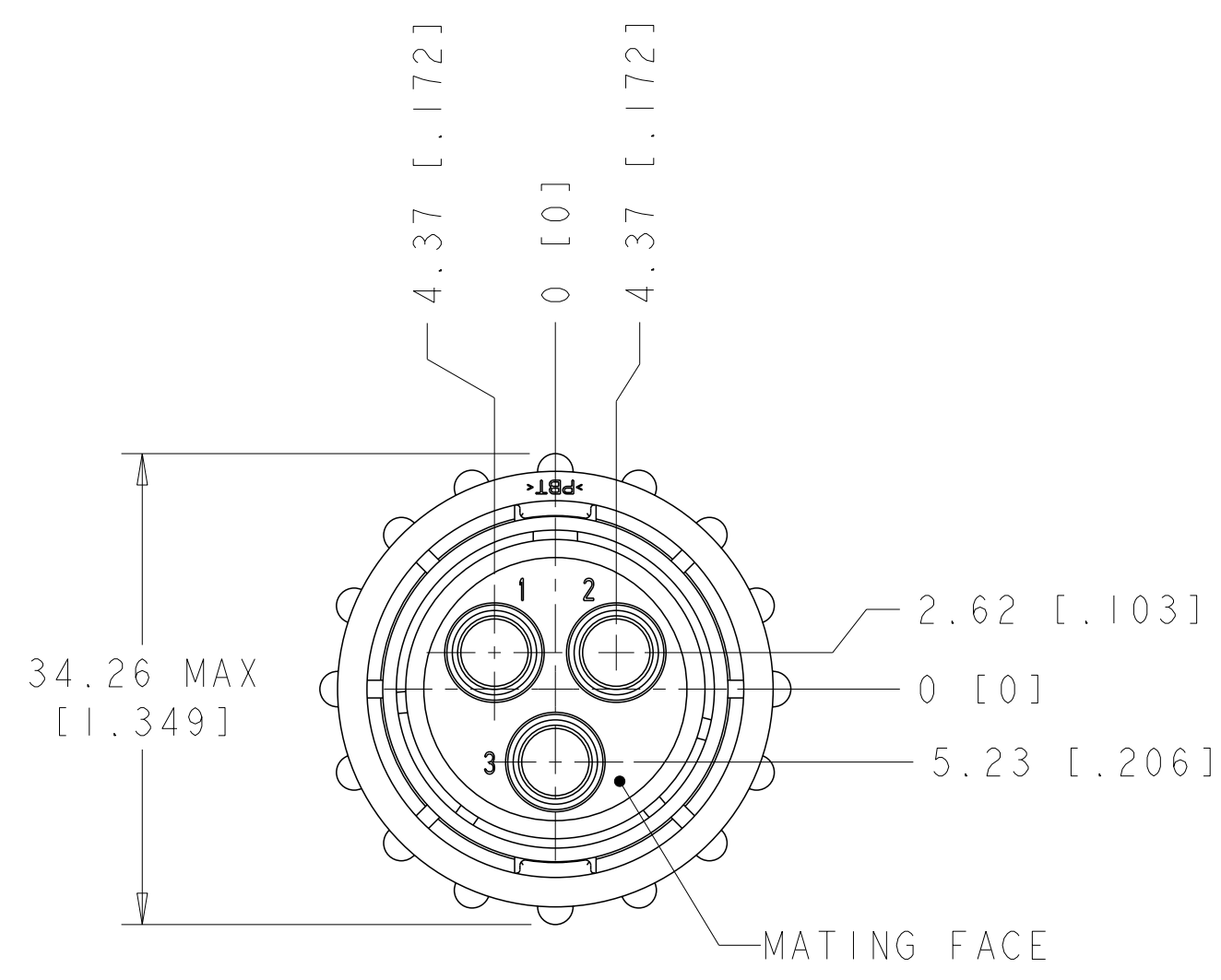
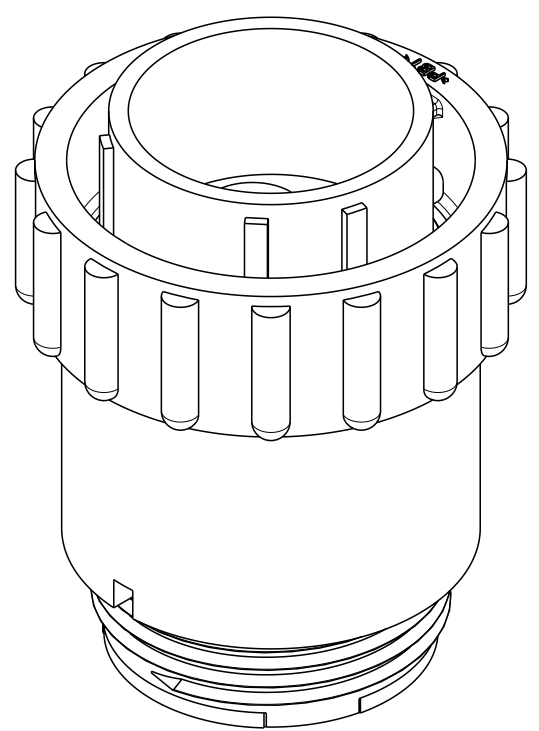


THIS DRAWING IS UNPUBLISHED. RELEASED FOR PUBLICATION  
 © COPYRIGHT 20 BY - ALL RIGHTS RESERVED.

LOC	DIST	REVISIONS					
FT	0	P	LTR	DESCRIPTION	DATE	DWN	APVD
		D		REVISED PER ECO-21-006944	12OCT2021	RK	MZ



- ① HOUSING & PRESSURE PLATE: NYLON, BLACK.  
WIRE ENTRY SEAL: ELASTOMER, RED-IRON OXIDE.
- ② COUPLING RING: POLYESTER, BLACK.
- ③ COUPLING RING: POLYPHENYLENE OXIDE, BLACK.
- ④ WILL ACCEPT (3) POWER MALE CONTACTS.
- ⑤ OBSOLETE PARTS: OBSOLETE CIS STREAMLINING PER D.RENAUD/D.SINISI
- ⑥ TE LOGO LOCATED ANYWHERE ON THIS SURFACE



⑤ OBSOLETE	① ③	2.41-5.21 [.095-.205]	788188-3
	① ②	3.81-6.73 [.150-.265]	788188-2
	① ②	2.41-5.21 [.095-.205]	788188-1
	MATERIAL & FINISH	INSULATION RANGE	PART NUMBER

DIMENSIONS:		TOLERANCES UNLESS OTHERWISE SPECIFIED:		DWN		S. WELDON		08FEB2000						
mm	[INCHES]	0 PLC	±	CHK	K. DOWHWER	08FEB2000	TE Connectivity NAME: PLUG ASSEMBLY, SERIES 5, REVERSE SEX, SIZE 17-3, CIRCULAR PLASTIC CONNECTOR SIZE: A200779 CAGE CODE: C-788188 DRAWING NO: 108-1579 APPLICATION SPEC: - WEIGHT: - CUSTOMER DRAWING							
		1 PLC	±	APVD	K. DOWHWER	08FEB2000								
		2 PLC	±0.02	PRODUCT SPEC	108-1579									
		3 PLC	±	RESTRICTED TO			SCALE	2:1	SHEET	1	OF	1	REV	D
		4 PLC	±											
		ANGLES	±											
		FINISH	±											

Printed on 12 Oct 2021 18:13 (India Standard Time) from FR019765

单击下面可查看定价，库存，交付和生命周期等信息

[>>TE Connectivity\(泰科\)](#)