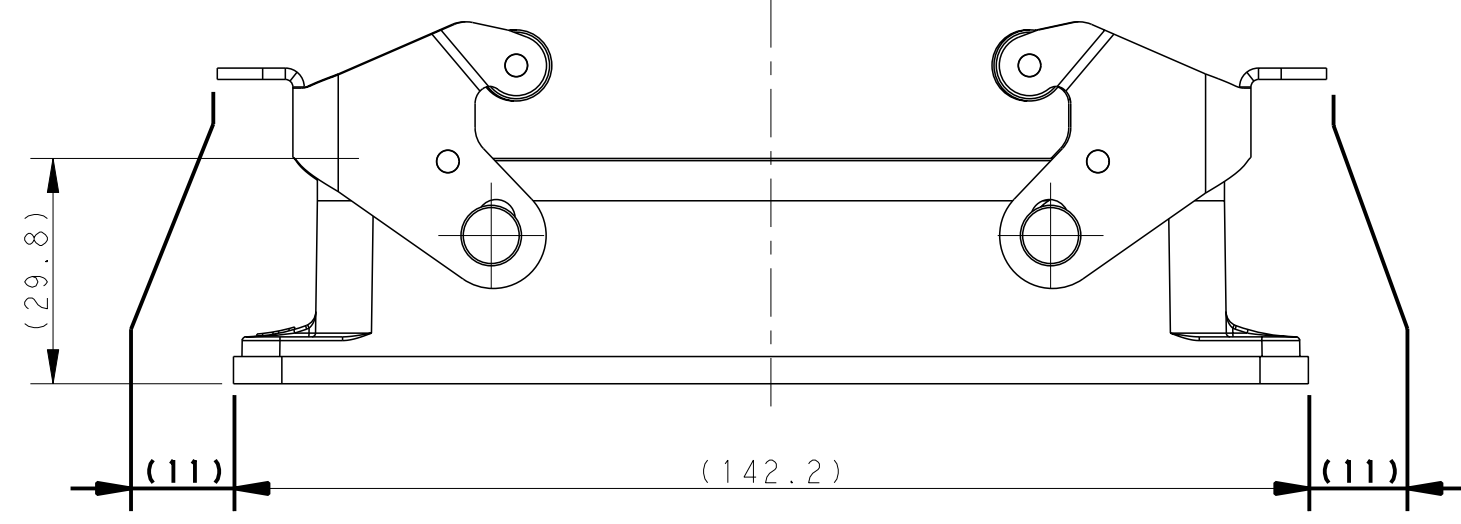
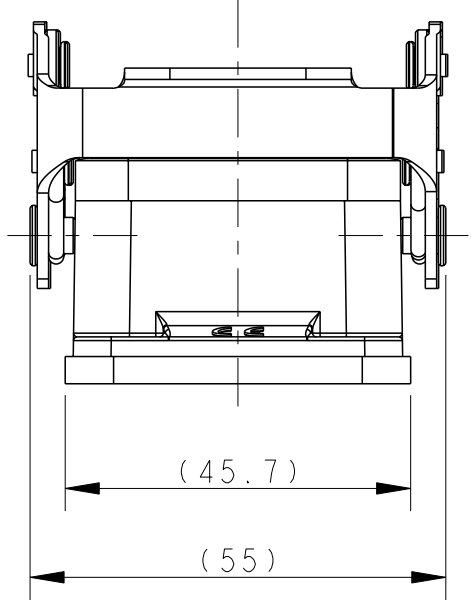
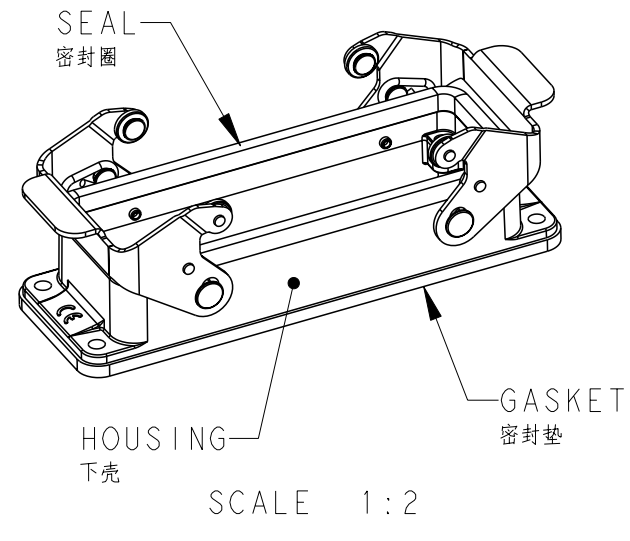


THIS DRAWING IS UNPUBLISHED. RELEASED FOR PUBLICATION 20
 © COPYRIGHT 20 BY - ALL RIGHTS RESERVED.

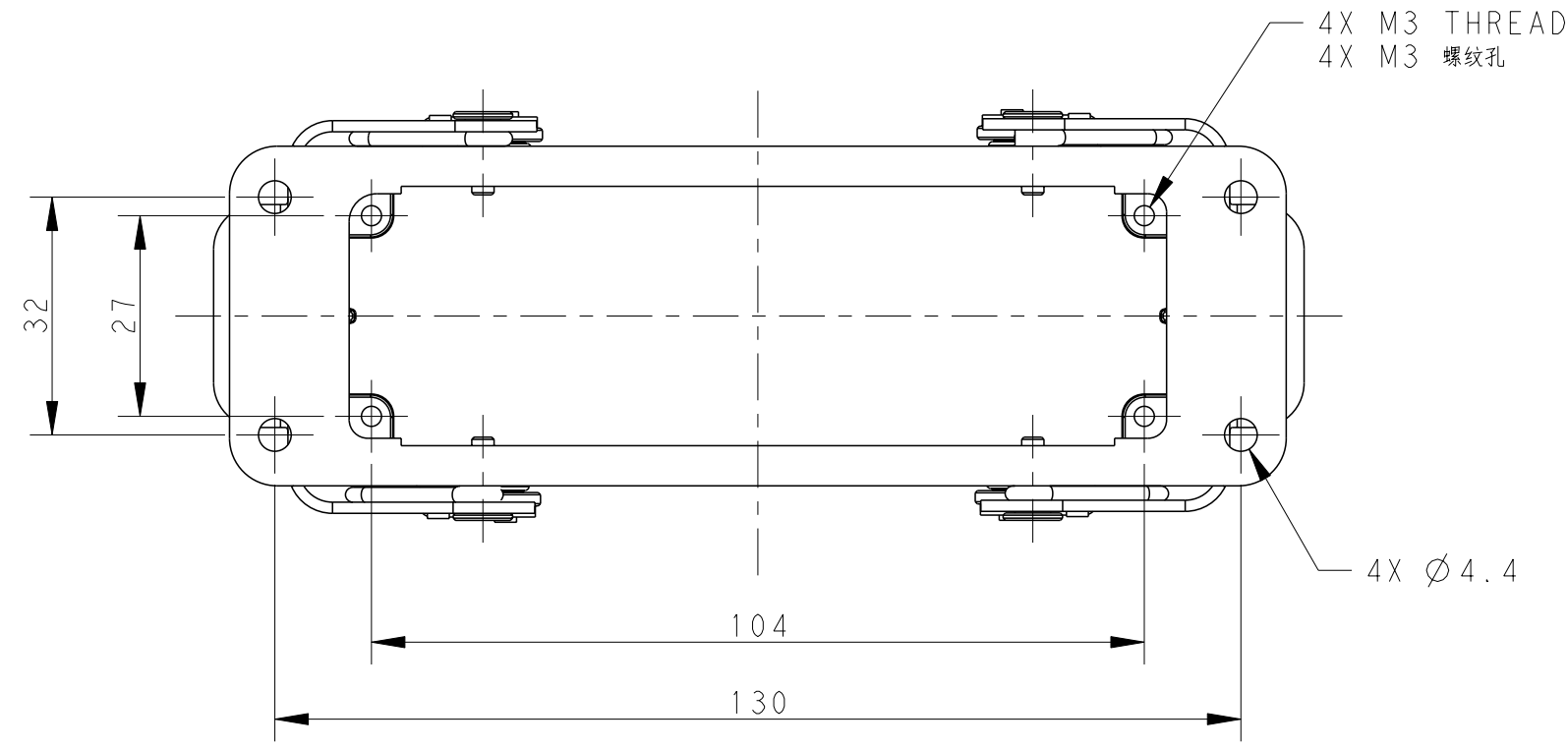
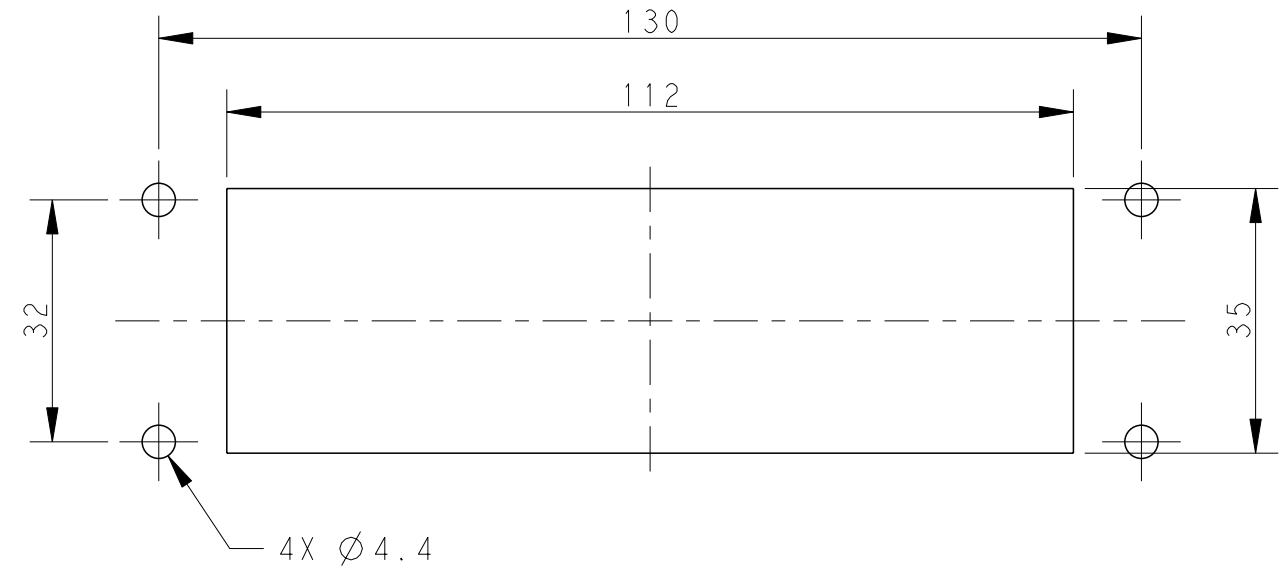
REVISIONS					
P	LTR	DESCRIPTION	DATE	DWN	APVD
A2		ECR-15-010519	20JUN2015	DW	CW
A3		ECR-16-010326	07JUL2016	DW	CW
A4		ECR-16-018349	30DEC2016	DW	CW
B		ECR-20-014876	03JUN2021	WQR	CW



NOTES:
 1. TECHNICAL CHARACTERISTICS:
 HOUSING MATERIAL: DIE CAST ALUMINIUM ALLOY
 HOUSING SURFACE: POWDER COATED, GREY, RAL7037
 SEAL MATERIAL: NBR
 GASKET MATERIAL: EPDM
 DEGREE OF PROTECTION: IP65 (MATED)

注释:
 1. 技术参数:
 下壳材料: 铝合金
 下壳表面处理: 灰色粉末涂层, RAL7037
 密封圈材料: NBR
 密封垫材料: EPDM
 防护等级: IP65(配合)

PANEL CUT OUT



T1410241000-000	H24B-AGS	H24B HOUSING, BULKHEAD MOUNTED, STAINLESS STEEL DOUBLE LOCKING POWDER COATED, GREY H24B下壳, 开孔安装, 不锈钢双扣, 灰色粉末喷涂
PART NUMBER 零件料号	PART DESCRIPTION 零件描述	

THIS DRAWING IS A CONTROLLED DOCUMENT.		DWN DAVID WANG 11 JUN 2014	TE Connectivity	
		CHK CHRIS WANG 11 JUN 2014		
		APVD XIANG XU 11 JUN 2014	NAME H24B-AGS	
DIMENSIONS: mm		PRODUCT SPEC 108-137013		SIZE A2
TOLERANCES UNLESS OTHERWISE SPECIFIED: 0 PLC ± 1 PLC ± 2 PLC ± 3 PLC ± 4 PLC ± ANGLES ± FINISH		APPLICATION SPEC 114-137013		
MATERIAL -		WEIGHT -		CAGE CODE A200779
		CUSTOMER DRAWING		DRAWING NO C-T1410241000000
		SCALE 1:1		SHEET 1 OF 1
				REV B

Printed on 3 Jun 2021 14:41 (China Standard Time) from TE343646

单击下面可查看定价，库存，交付和生命周期等信息

[>>TE Connectivity\(泰科\)](#)