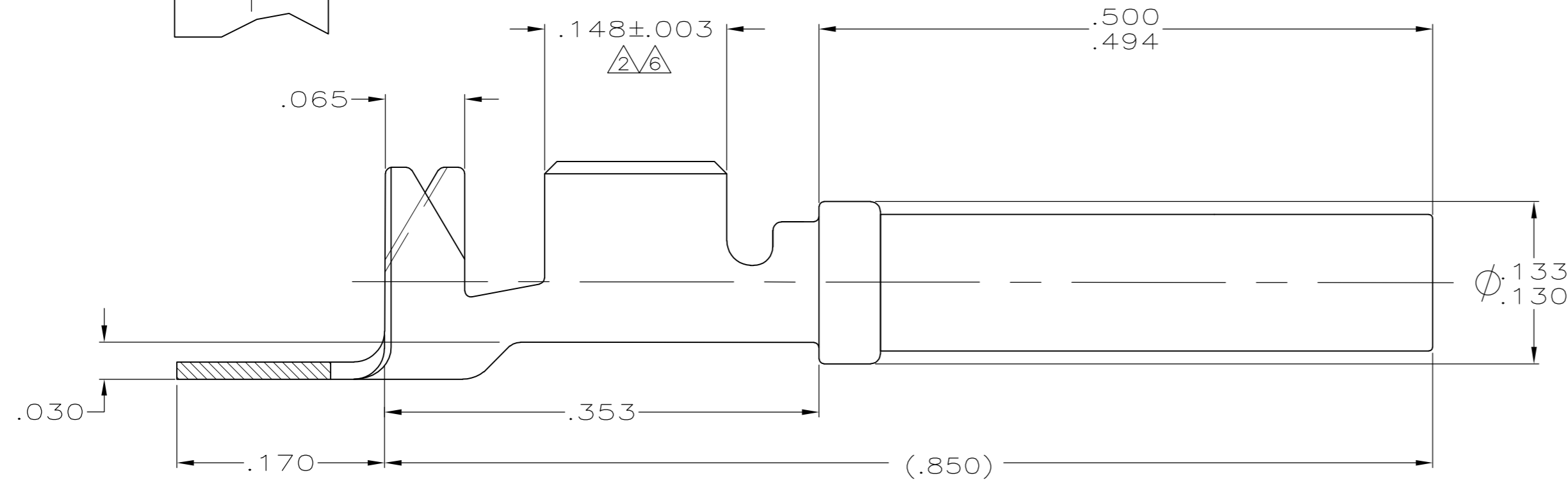
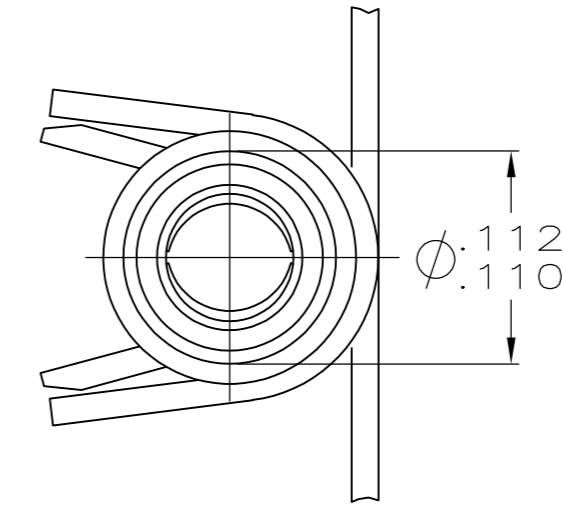
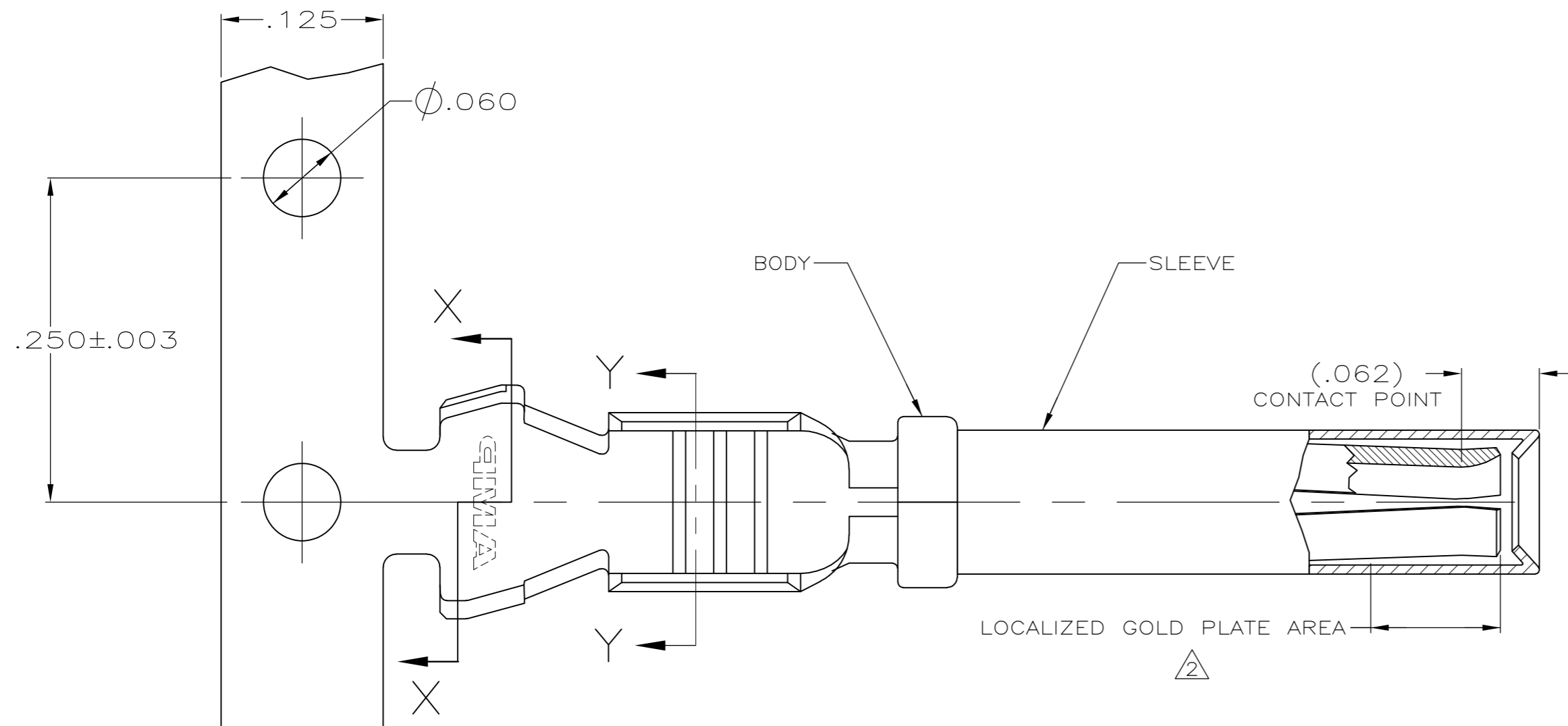
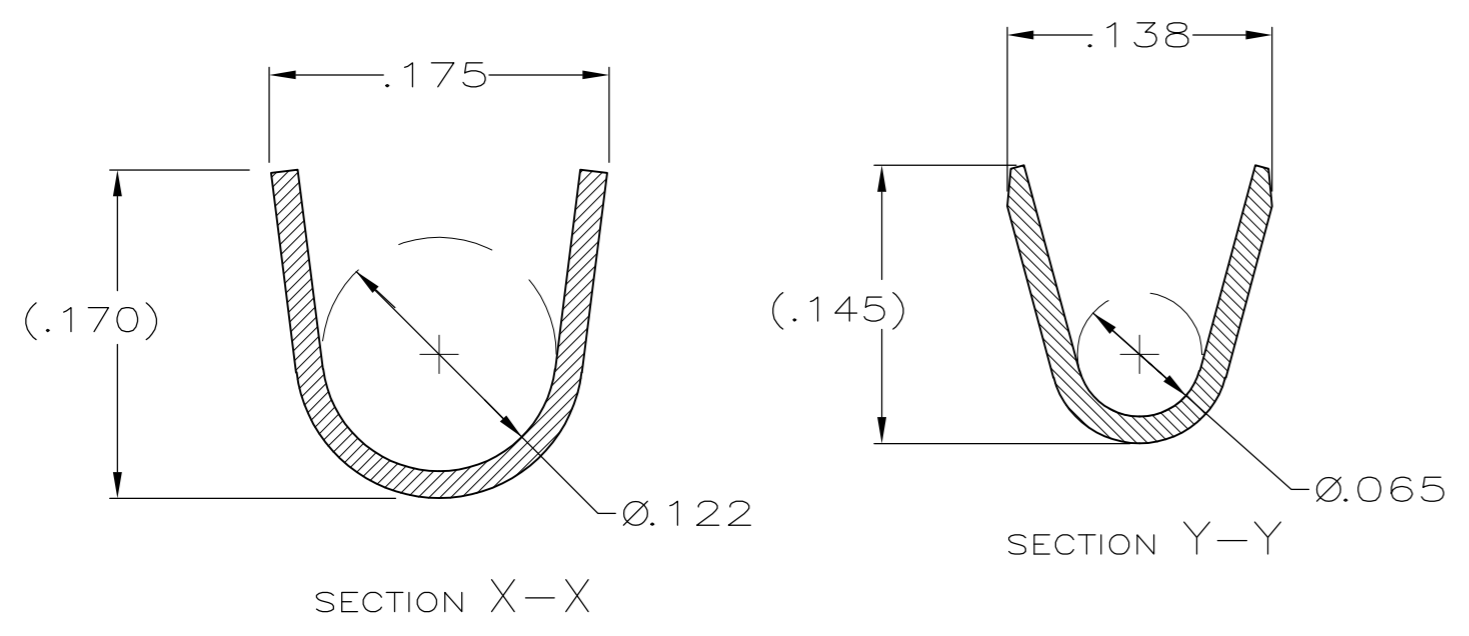


THIS DRAWING IS UNPUBLISHED. RELEASED FOR PUBLICATION
 © COPYRIGHT - By - ALL RIGHTS RESERVED.

LOC	DIST	REVISIONS					
GE	00	P	LTR	DESCRIPTION	DATE	DWN	APVD
		P		REVISED PER ECO-11-005030	11MAR11	RK	HMR



- 1 MATERIAL:
 BODY - .014 THK COPPER ALLOY
 SLEEVE - .007 THK STAINLESS STEEL
- 2 FINISH:
 BODY - .000030 MIN SELECT GOLD IN LOCALIZED GOLD PLATE AREA AND .000100-.000200 TIN IN LOCALIZED TIN PLATE AREA ALL OVER .000040-.000080 THK NICKEL
 SLEEVE - PASSIVATE PER 112-230-2, METHOD 1
- 3. CONTACT TO BE LUBED WITH LUBRICANT PER P/N 22014-4
- 4. WIRE RANGE: 18-14 AWG GXL AND 18-16 AWG SXL WIRE WITH INSULATION DIAMETERS OF .089-.131 INCHES
- 5. SLEEVE MUST WITHSTAND PULL OFF FORCE IN DIRECTION PARALLEL TO CENTER OF TERMINAL OF 10 LBS MIN
- 6 FINISH:
 BODY - .000100-.000200 TIN IN LOCALIZED TIN PLATE AREA. ALL OVER .000040-.000080 THK NICKEL.
 SLEEVE - PASSIVATE PER 112-230-2, METHOD 1



THIS DRAWING IS A CONTROLLED DOCUMENT.		DWN DL DRUMMOND 07MAY2004	776492-2	
DIMENSIONS: INCHES		CHK MP TRULL 07MAY2004	776492-1	
TOLERANCES UNLESS OTHERWISE SPECIFIED:		APVD MP TRULL 07MAY2004	FINISH PART NUMBER	
0 PLC ± -		PRODUCT SPEC	TE Connectivity	
1 PLC ± -		APPLICATION SPEC	ASSEMBLY, SOCKET	
2 PLC ± .02		WEIGHT -	SIZE A2	CAGE CODE 00779
3 PLC ± .005		CUSTOMER DRAWING	DRAWING NO C=776492	RESTRICTED TO -
4 PLC ± -		SCALE 10:1	SHEET 1 of 1	REV P
ANGLES ± -				
FINISH SEE TABLE				

单击下面可查看定价，库存，交付和生命周期等信息

[>>TE Connectivity\(泰科\)](#)