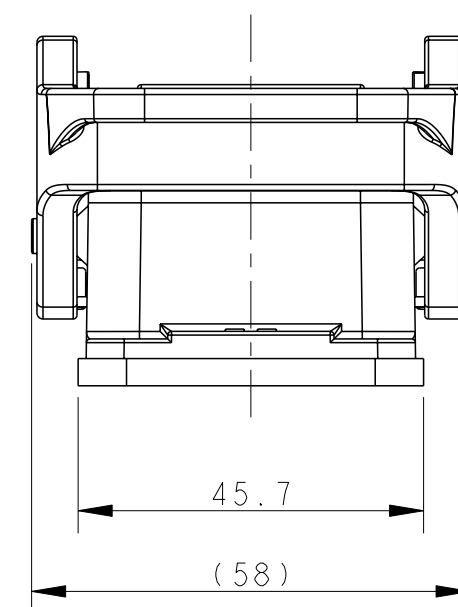
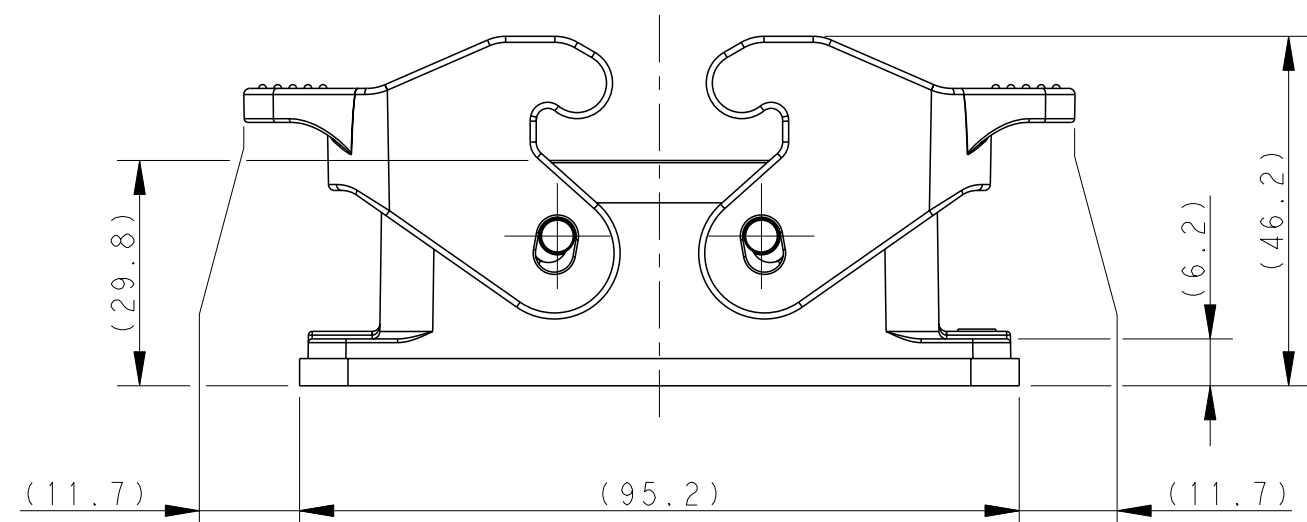


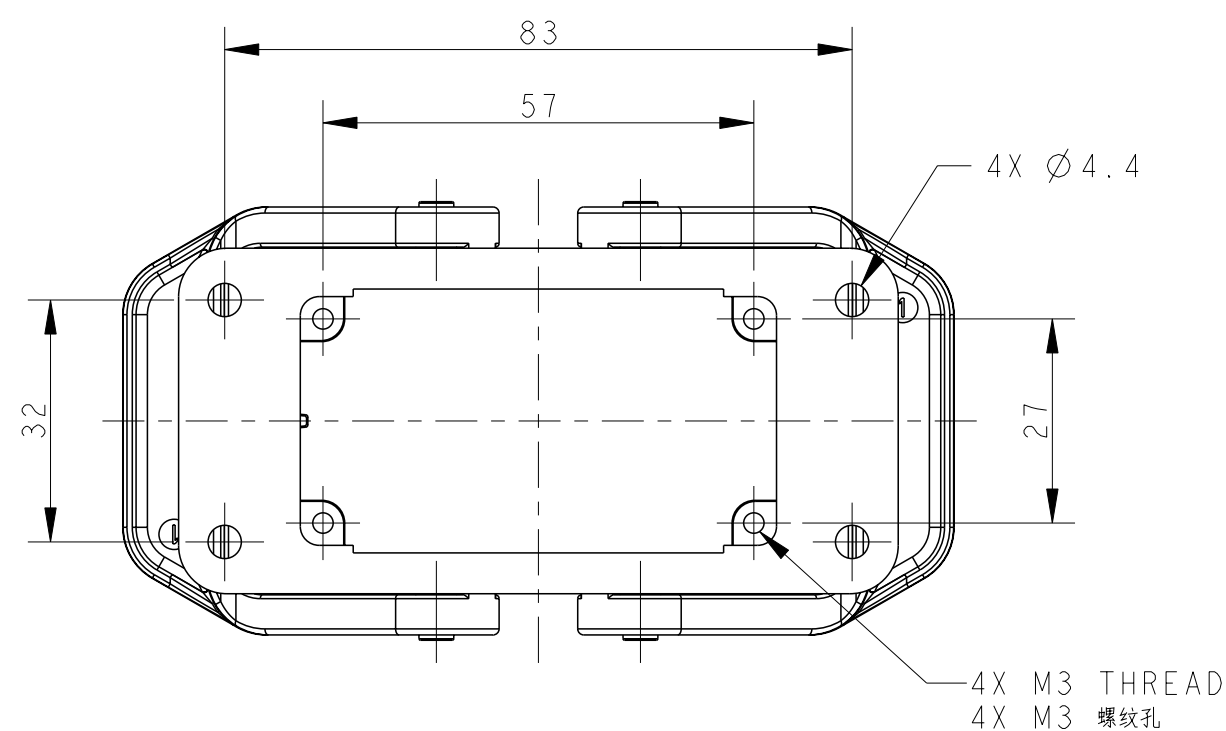
THIS DRAWING IS UNPUBLISHED. RELEASED FOR PUBLICATION 20  
 © COPYRIGHT 20 BY - ALL RIGHTS RESERVED.

| REVISIONS |     |                 |           |     |      |
|-----------|-----|-----------------|-----------|-----|------|
| P         | LTR | DESCRIPTION     | DATE      | DWN | APVD |
| A         |     | INITIAL RELEASE | 24FEB2020 | DW  | CW   |
| B         |     | ECR-20-014388   | 26NOV2020 | WQR | CW   |

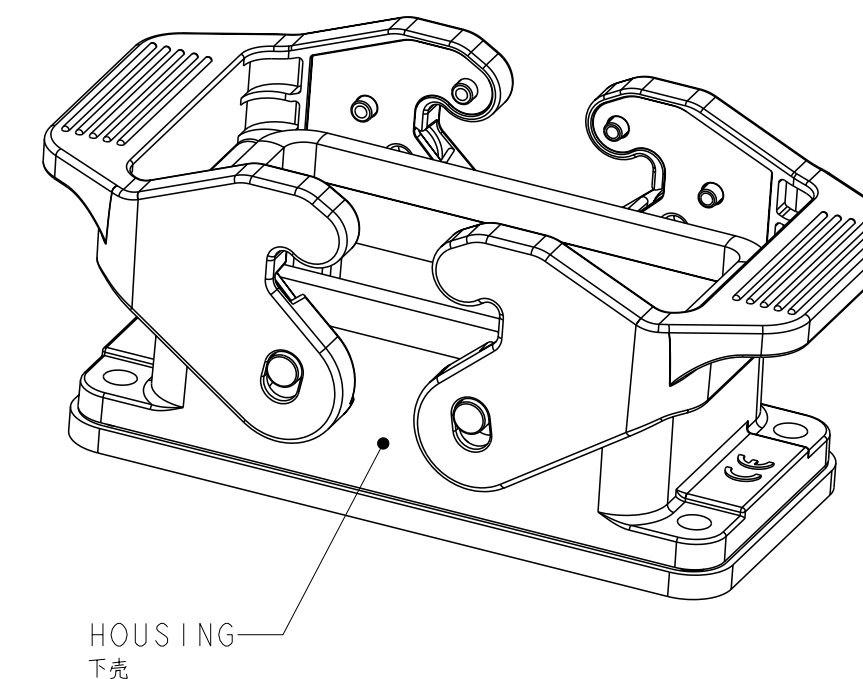
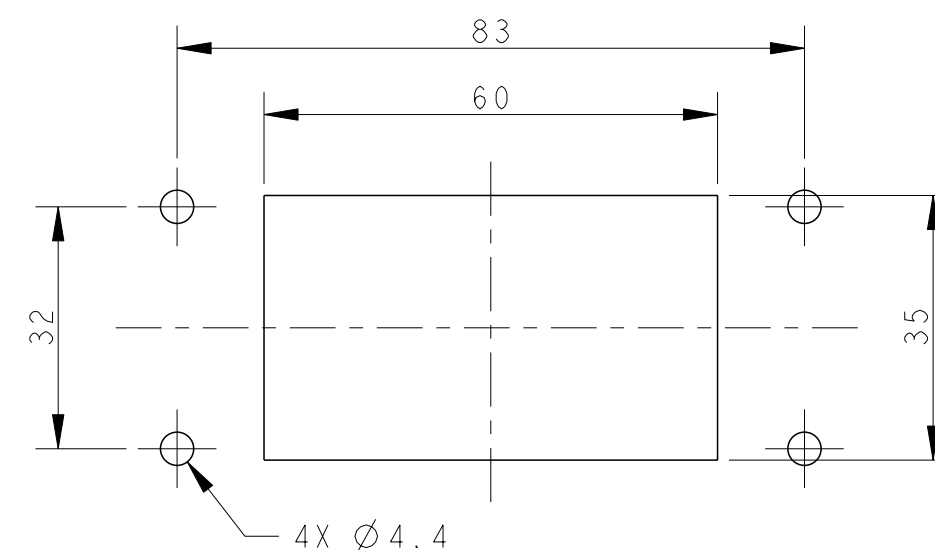


NOTES:  
 1. TECHNICAL CHARACTERISTICS:  
 HOUSING MATERIAL: DIE CAST ALUMINIUM ALLOY  
 HOUSING SURFACE: POWDER COATED, GREY  
 DEGREE OF PROTECTION: IP65 (MATED)

注释:  
 1. 技术参数:  
 下壳材料: 铝合金  
 下壳表面处理: 灰色粉末涂层  
 防护等级: IP65(配合)



PANEL CUT OUT DIMENSION, ONLY FOR REFERENCE  
 面板开口尺寸, 仅供参考



|                     |                          |   |
|---------------------|--------------------------|---|
| T1410100000-001     | H10B-AG-SL ONE RIB       | H10B HOUSING, BULKHEAD MOUNTED, PLASTIC DOUBLE LOCKING ONE RIB, POWDER COATED, GREY<br>H10B下壳, 开孔安装, 塑料双扣, 一边筋条, 灰色粉末喷涂 |
| PART NUMBER<br>零件料号 | PART DESCRIPTION<br>零件描述 |   |

|  |  |                                |                              |  |
|--|--|--------------------------------|------------------------------|--|
| THIS DRAWING IS A CONTROLLED DOCUMENT. |  | DWN 24FEB2020<br>DAVID WANG    | <b>STE</b> TE Connectivity   |  |
| DIMENSIONS: mm                         |  | CHK 24FEB2020<br>GINO YAO      |                              |  |
| TOLERANCES UNLESS OTHERWISE SPECIFIED: |  | APVD 24FEB2020<br>CHRIS WANG   | NAME<br>H10B-AG-SL, ONE RIB  |  |
| 0 PLC ±-                               |  | PRODUCT SPEC<br>108-137018     | SIZE CAGE CODE DRAWING NO    |  |
| 1 PLC ±-                               |  | APPLICATION SPEC<br>114-137018 | RESTRICTED TO                |  |
| 2 PLC ±-                               |  | WEIGHT                         | A200779 C-T1410100000001     |  |
| 3 PLC ±-                               |  | CUSTOMER DRAWING               | SCALE 1:1 SHEET 1 OF 1 REV B |  |
| 4 PLC ±-                               |  |                                |                              |  |
| ANGLES ±-                              |  |                                |                              |  |
| FINISH                                 |  |                                |                              |  |

Printed on 25 Mar 2021 13:20 (China Standard Time) from IE343646

单击下面可查看定价，库存，交付和生命周期等信息

[>>TE Connectivity\(泰科\)](#)