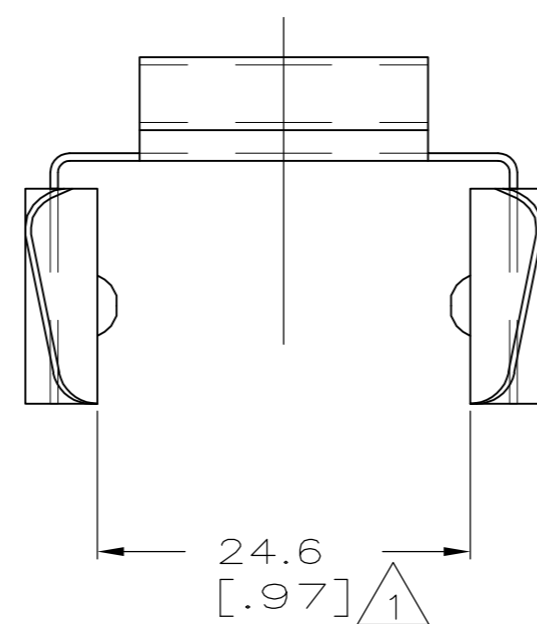
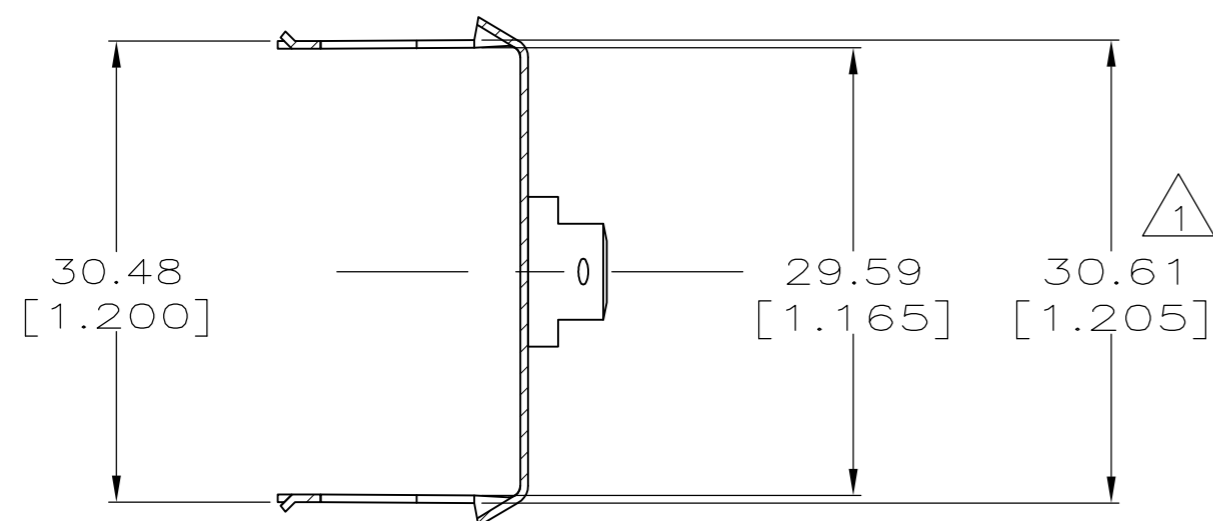
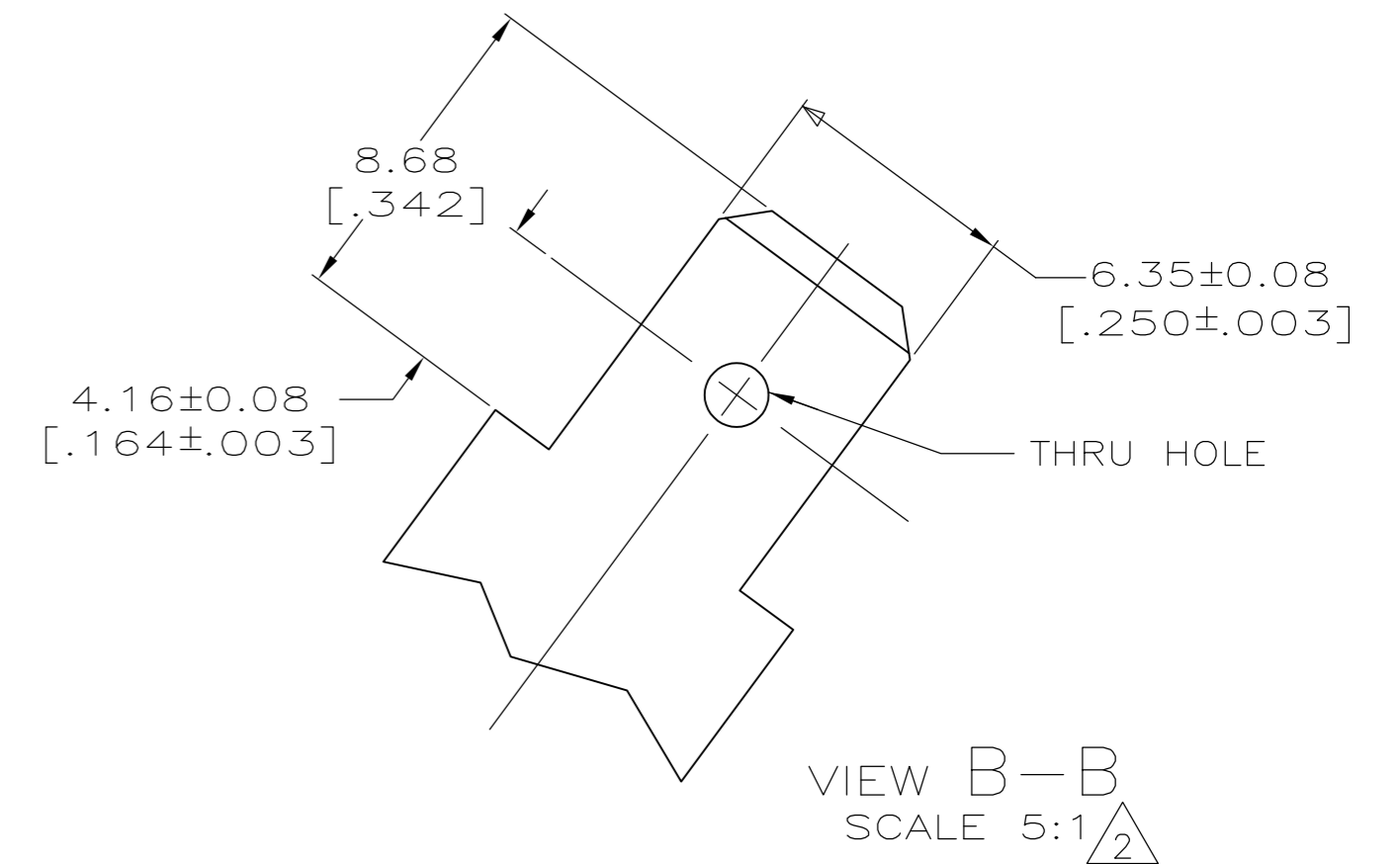
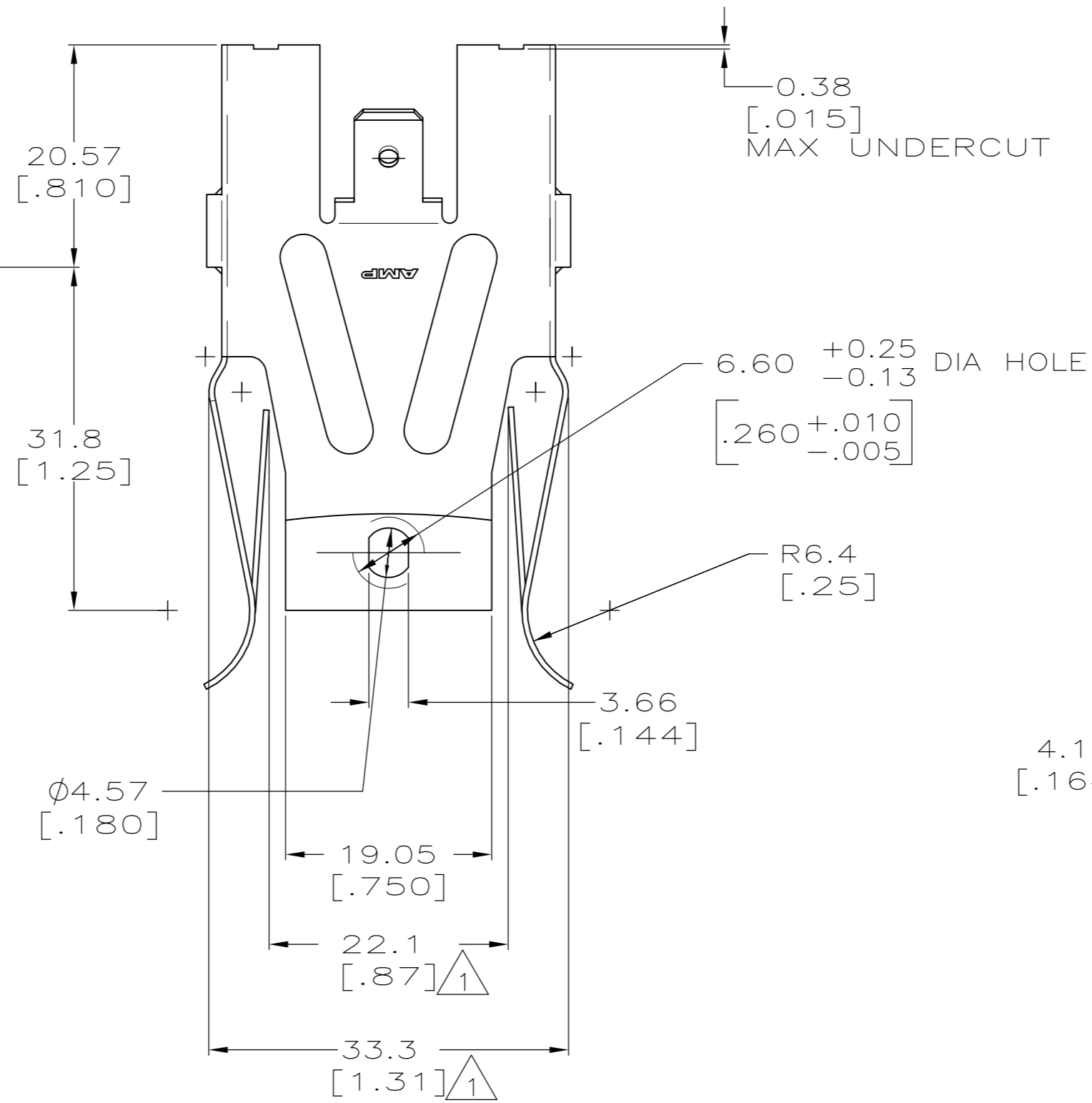
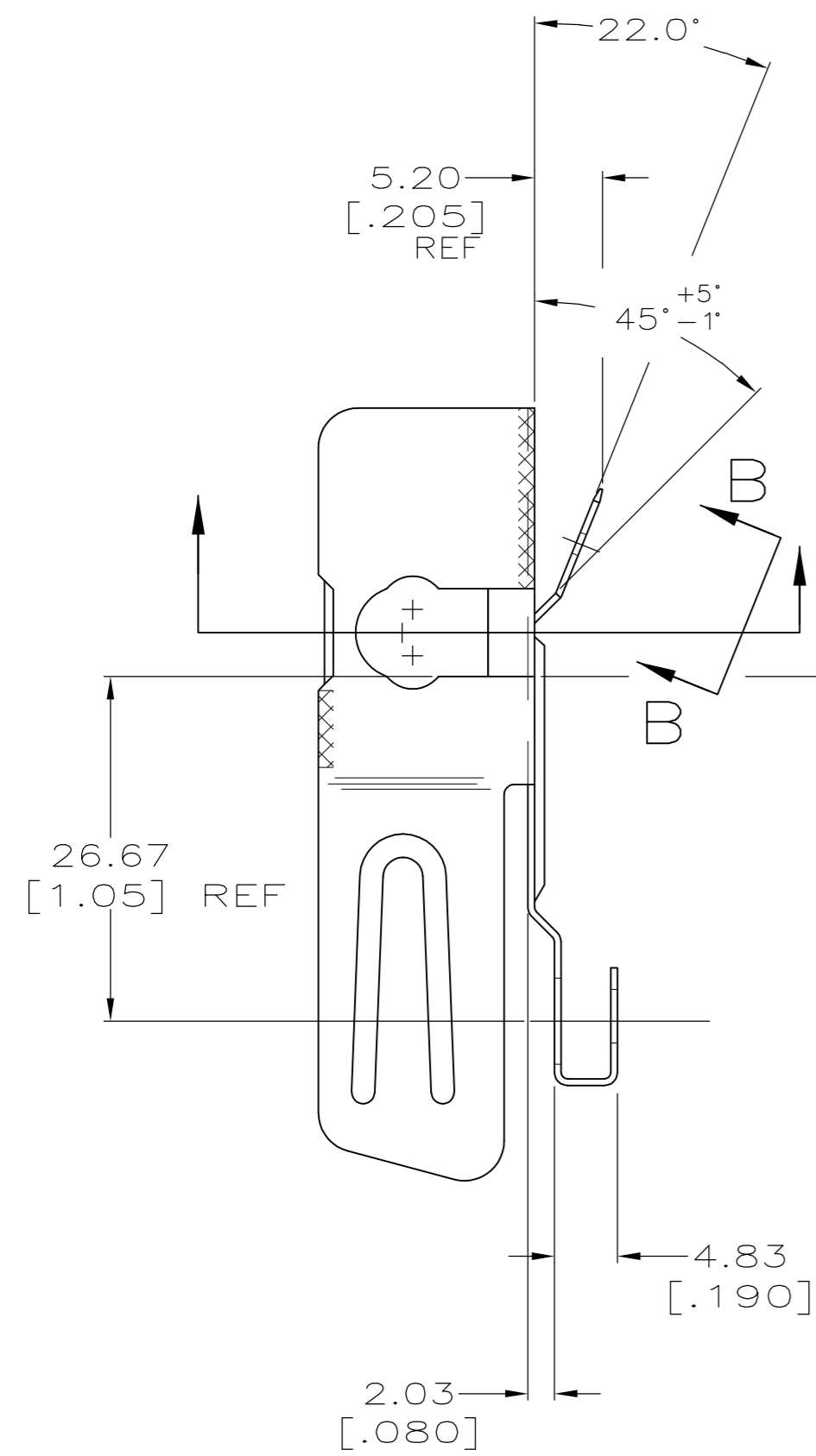


THIS DRAWING IS UNPUBLISHED. RELEASED FOR PUBLICATION  
 © COPYRIGHT BY TYCO ELECTRONICS CORPORATION. ALL RIGHTS RESERVED.

LOC	DIST	REVISIONS			
P	LTR	DESCRIPTION	DATE	DWN	APVD
AF	50	E1	REVISED PER ECR-08-006534	04APR08	HMR GJ

- 1 DIMENSION TO BE CHECKED WHEN SIDES ARE PARRALLEL WITH [1.215] DIM.
- 2 FOR 6.35 [.250] SERIES POSITIVE LOCK RECEPTACLE.



1217836-1  
PART NO.

THIS DRAWING IS A CONTROLLED DOCUMENT.		DWN MICHAEL S. FEHER 13MAY2002	Tyco Electronics Corporation Harrisburg, PA 17105-3608	
DIMENSIONS: mm		CHK DONALD DECKER 13MAY2002	NAME CLIP, CONNECTOR, HEAVY DUTY BURNER	
TOLERANCES UNLESS OTHERWISE SPECIFIED: 0 PLC ± - 1 PLC ± - 2 PLC ± 0.8 [.03] 3 PLC ± 0.25 [.010] 4 PLC ± - ANGLES ± -		APVD DONALD DECKER 13MAY2002	PRODUCT SPEC -	RESTRICTED TO -
MATERIAL 1/4 HARD STAINLESS		FINISH -	APPLICATION SPEC 114-1028	WEIGHT -
		SIZE A2		CAGE CODE 00779
		DRAWING NO C=1217836		SCALE 2:1
		CUSTOMER DRAWING		SHEET 1 OF 1
				REV E1

单击下面可查看定价，库存，交付和生命周期等信息

[>>TE Connectivity\(泰科\)](#)