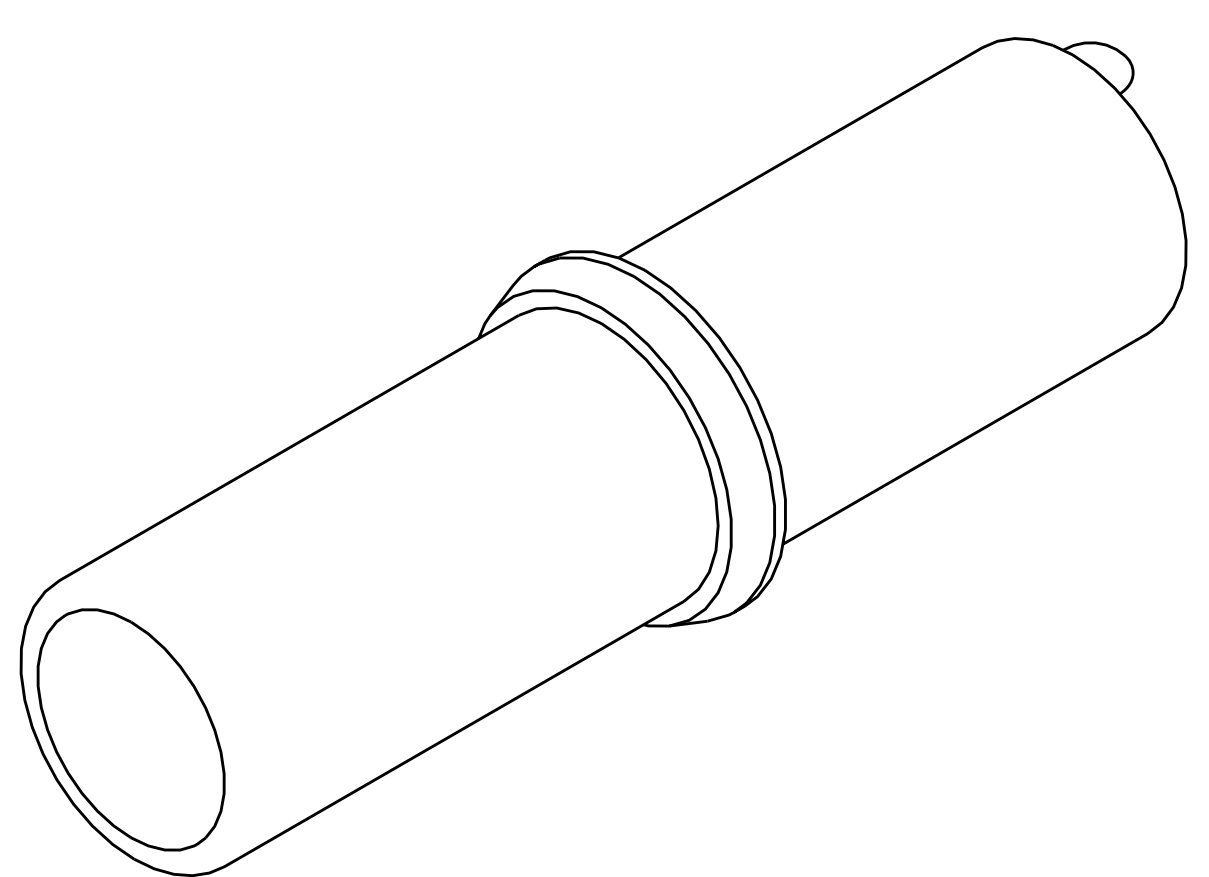
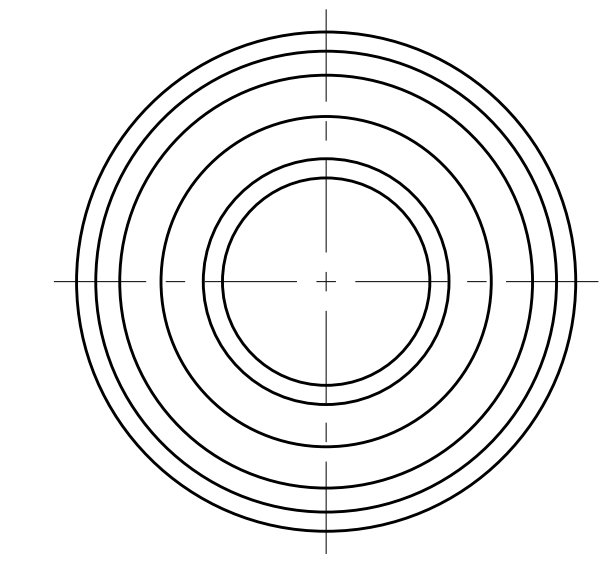
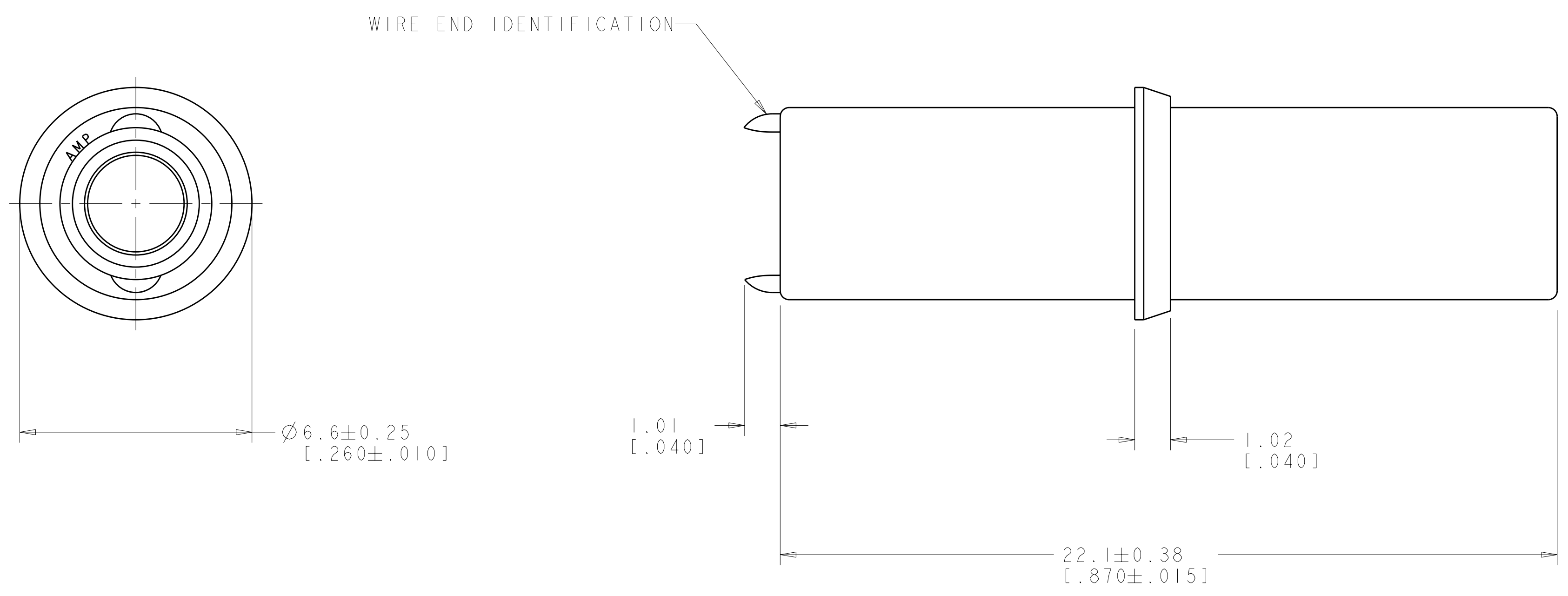


LOC	DIST	REVISIONS					
CM	00	P	LTB	DESCRIPTION	DATE	DWN	APVD
		G		REVISED PER 063B-0222-01	19FEB2002	KW	DC
		G1		ECO-08-005427	03MAR2008	KW	CC

- 2. MATES WITH 480357.
- 3. A 2.68 [.105] DIAMETER PIN MUST ENTER CAVITY WITH A MAX FORCE OF 1.39 NEWTONS (5 OUNCES).
- 4. 0.13 [.005] MAX FLASH PERMITTED.



SCALE 8:1

METRIC

1-480358-0	NYLON	NATURAL	0.014 IN ³
PART NUMBER	MATERIAL	COLOR	VOLUME

<small>THIS DRAWING IS UNPUBLISHED. RELEASED FOR PUBLICATION BY TYCO ELECTRONICS CORPORATION. ALL RIGHTS RESERVED. THIS DRAWING IS UNPUBLISHED. RELEASED FOR PUBLICATION BY TYCO ELECTRONICS CORPORATION. ALL RIGHTS RESERVED.</small>		DWN R. WHITAKER 19FEB2002	Tyco Electronics Harrisburg, PA 17105-3608	
DIMENSIONS: mm [INCHES]		CHK D. COLEY 19FEB2002	NAME SINGLE CIRCUIT MATE-N-LOK™ PLUG	
TOLERANCES UNLESS OTHERWISE SPECIFIED: 9 PLC ± 1 PLC ± 2 PLC ±0.13 (.005) 3 PLC ± 4 PLC ± ANGLES ±30°		APVD D. COLEY 19FEB2002	PRODUCT SPEC APPLICATION SPEC	
MATERIAL SEE TABLE		FINISH -	WEIGHT -	RESTRICTED TO A 00779 C=480358
CUSTOMER DRAWING		SCALE 10:1	SHEET 1 OF 1	REV G1

单击下面可查看定价，库存，交付和生命周期等信息

[>>TE Connectivity\(泰科\)](#)