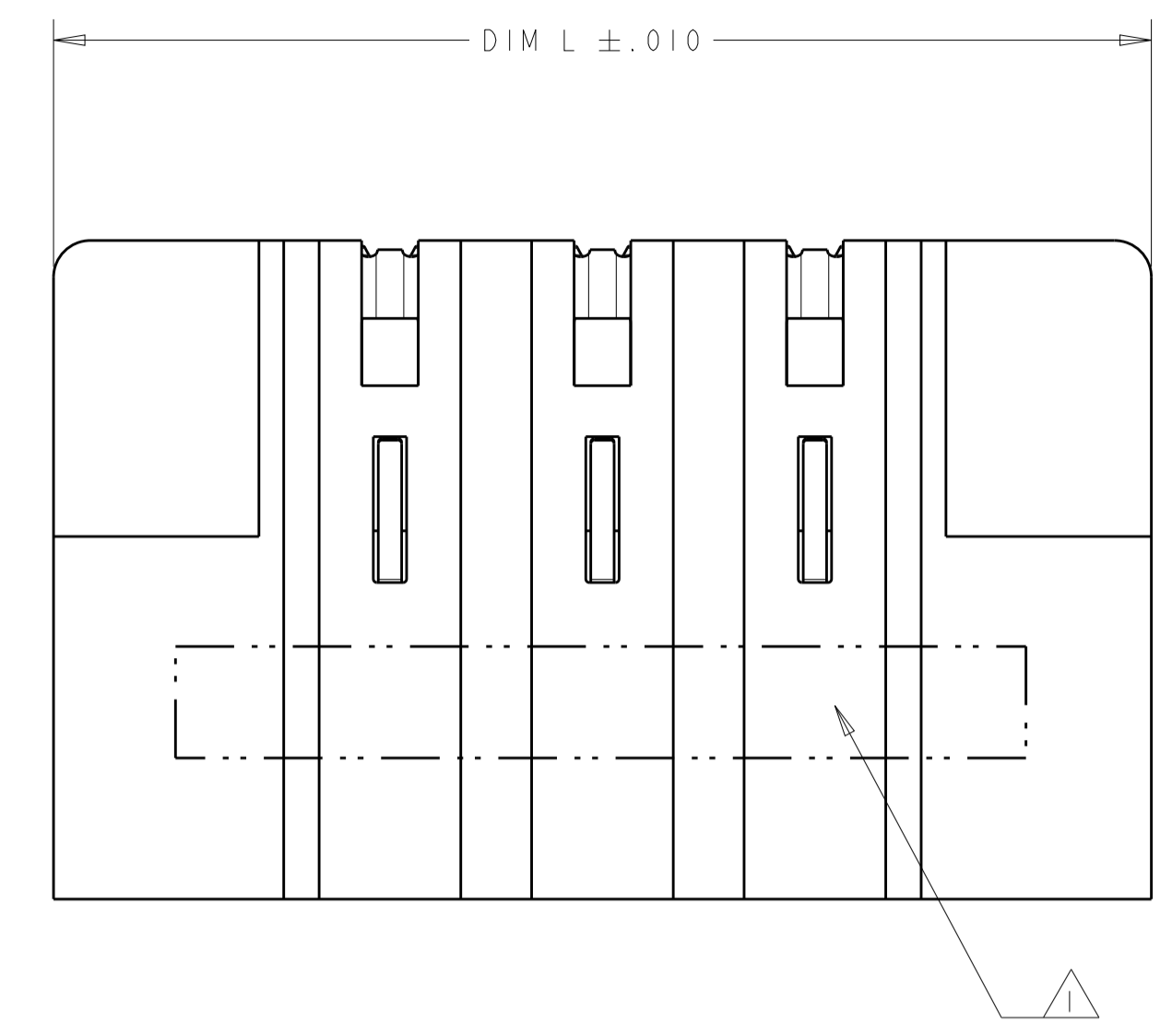
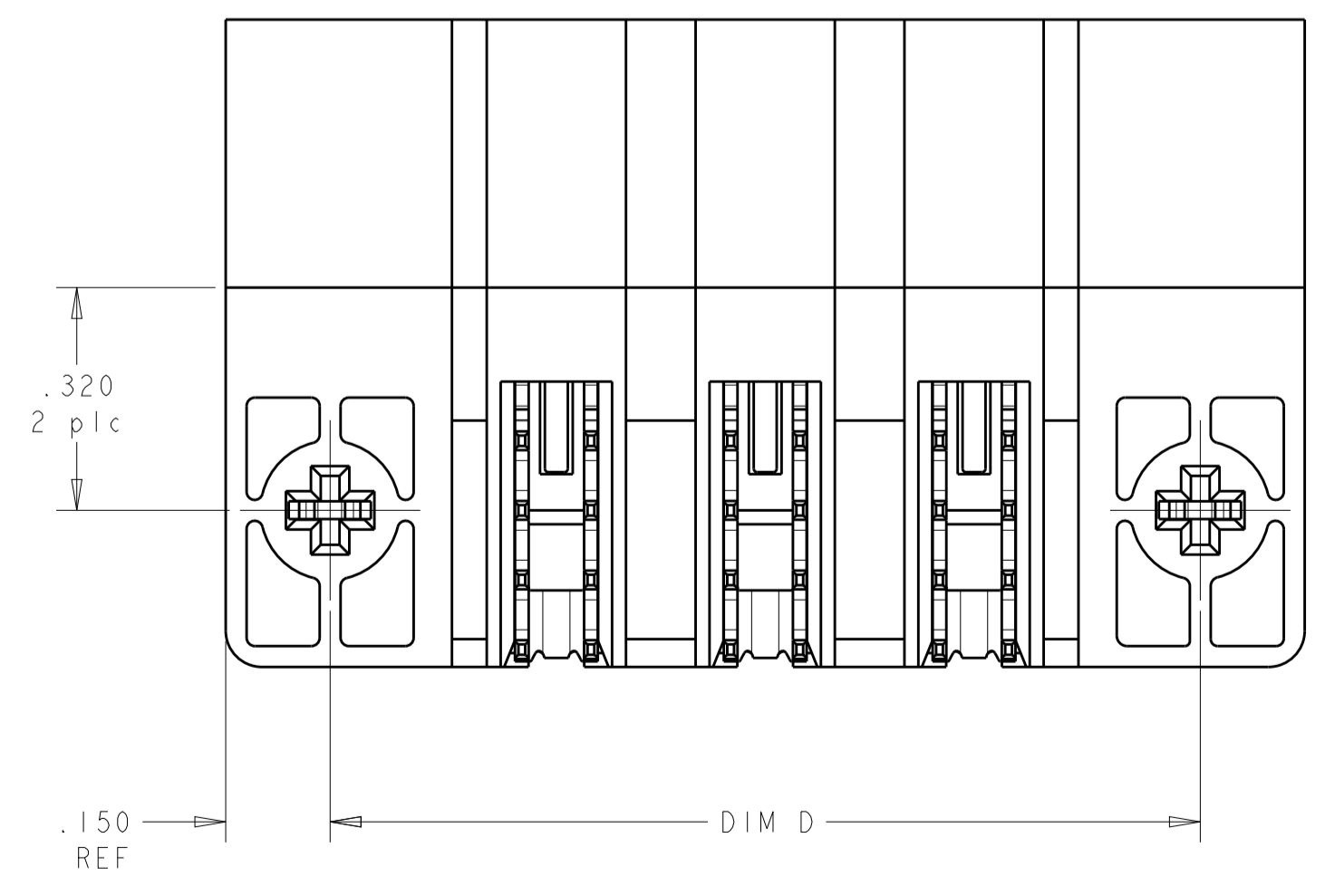
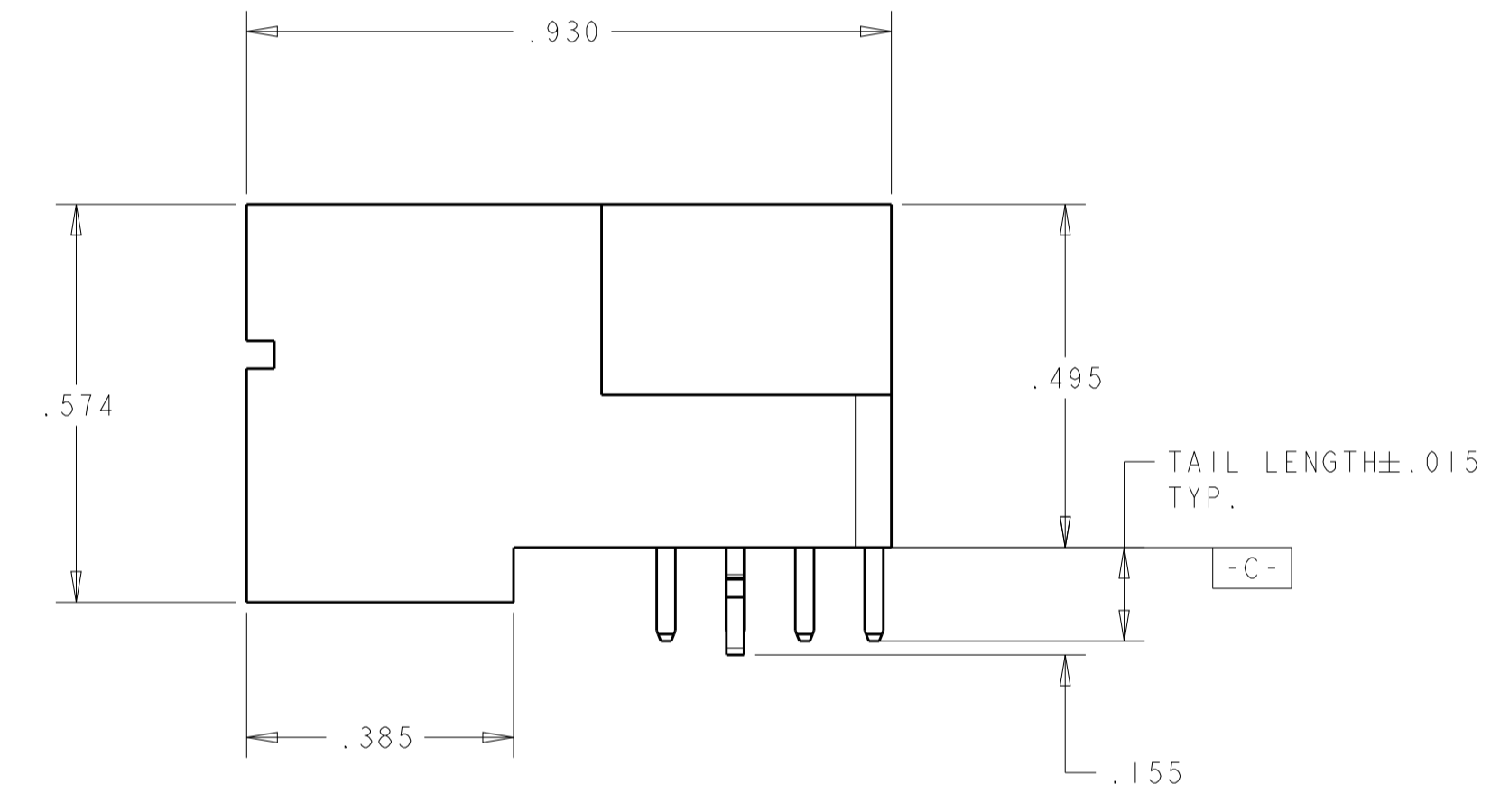
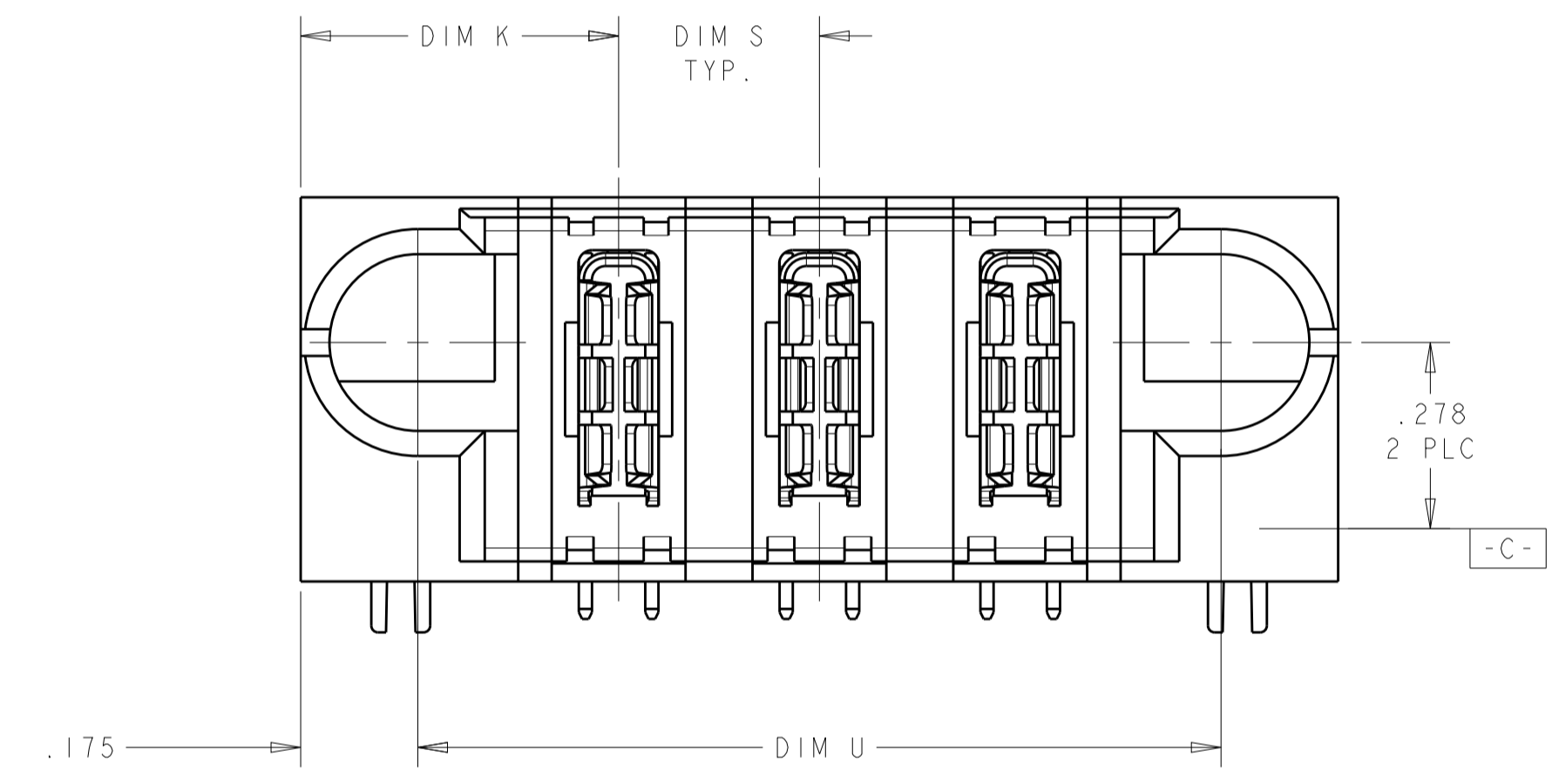


LOC	DIST	REVISIONS			
P	LTN	DESCRIPTION	DATE	DWN	APVD
A		REV PER ECR-09-003085	06FEB2009	IL	SY
A1		ADD NEW DASH NUMBER -2	19MAY2009	KT	SY
A2		REVISE DASH NUMBER -2	20MAY2009	KT	SY



- 1 "AMP", PART NUMBER, AND DATE CODE TO BE MARKED IN AREA SHOWN.
- 2 MATERIAL: HOUSING - GLASS FILLED HIGH TEMP THERMO PLASTIC, UL94 V-0
POWER CONTACT - HIGH CONDUCTIVITY COPPER ALLOY
- 3 CONTACT PLATING: NOBLE METAL PLATING ON CONTACT FUNCTIONAL AREA OF POWER AND SIGNAL CONTACTS.
- 4 MECHANICAL CONNECTOR KEEP OUT ZONE.
- 5 DATUM AND BASIC DIMENSIONS ESTABLISHED BY CUSTOMER.
- 6 PCB- ALL HOLE DIAMETERS ARE FINISHED HOLE SIZES.
- 7 PCB - .0453±.0010 DRILLED HOLES WITH .0003 MIN Sn OVER .001 TO .003 Cu PLATING TO ACHIEVE A .040±.003 DIA HOLE.



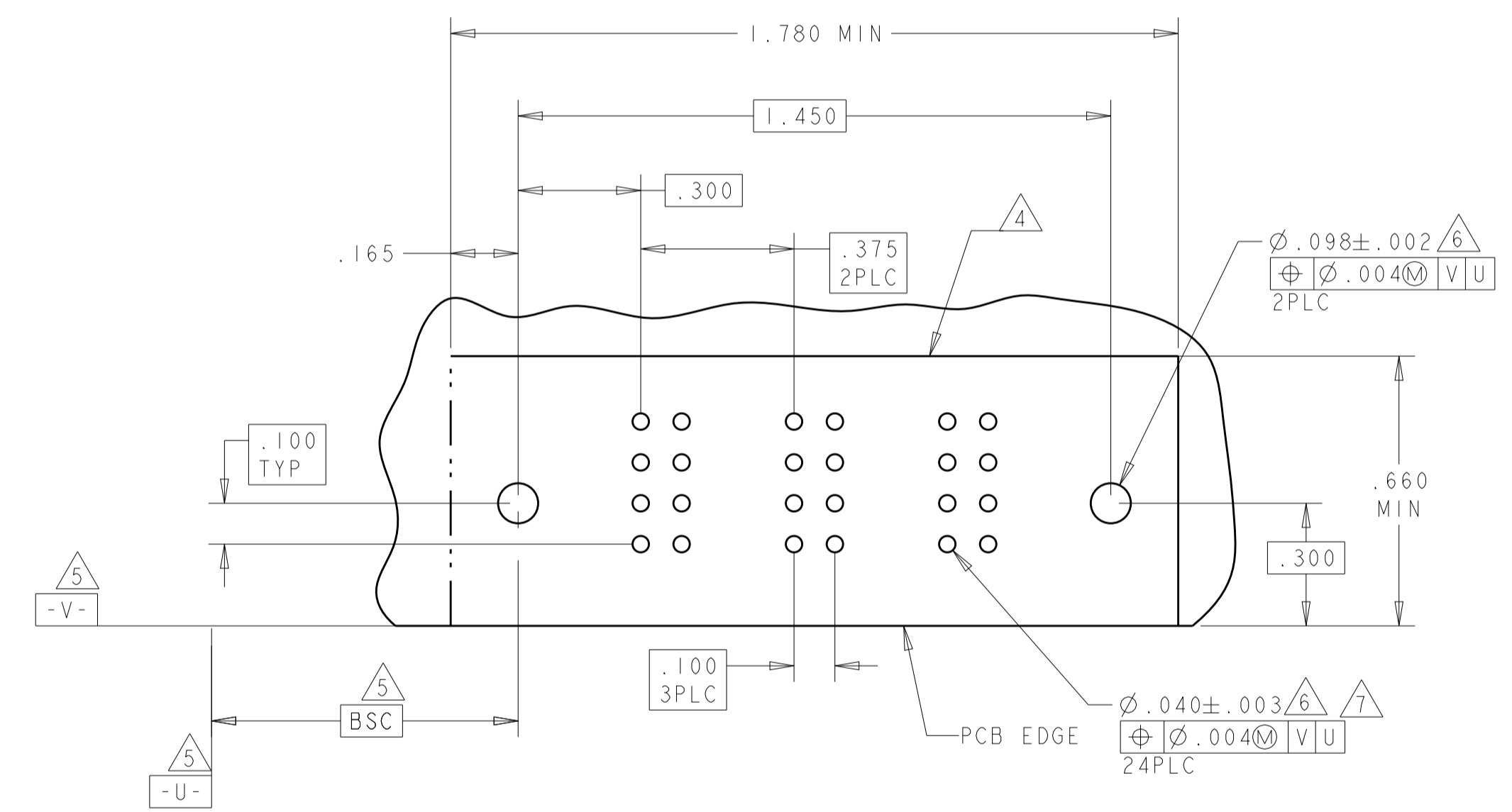
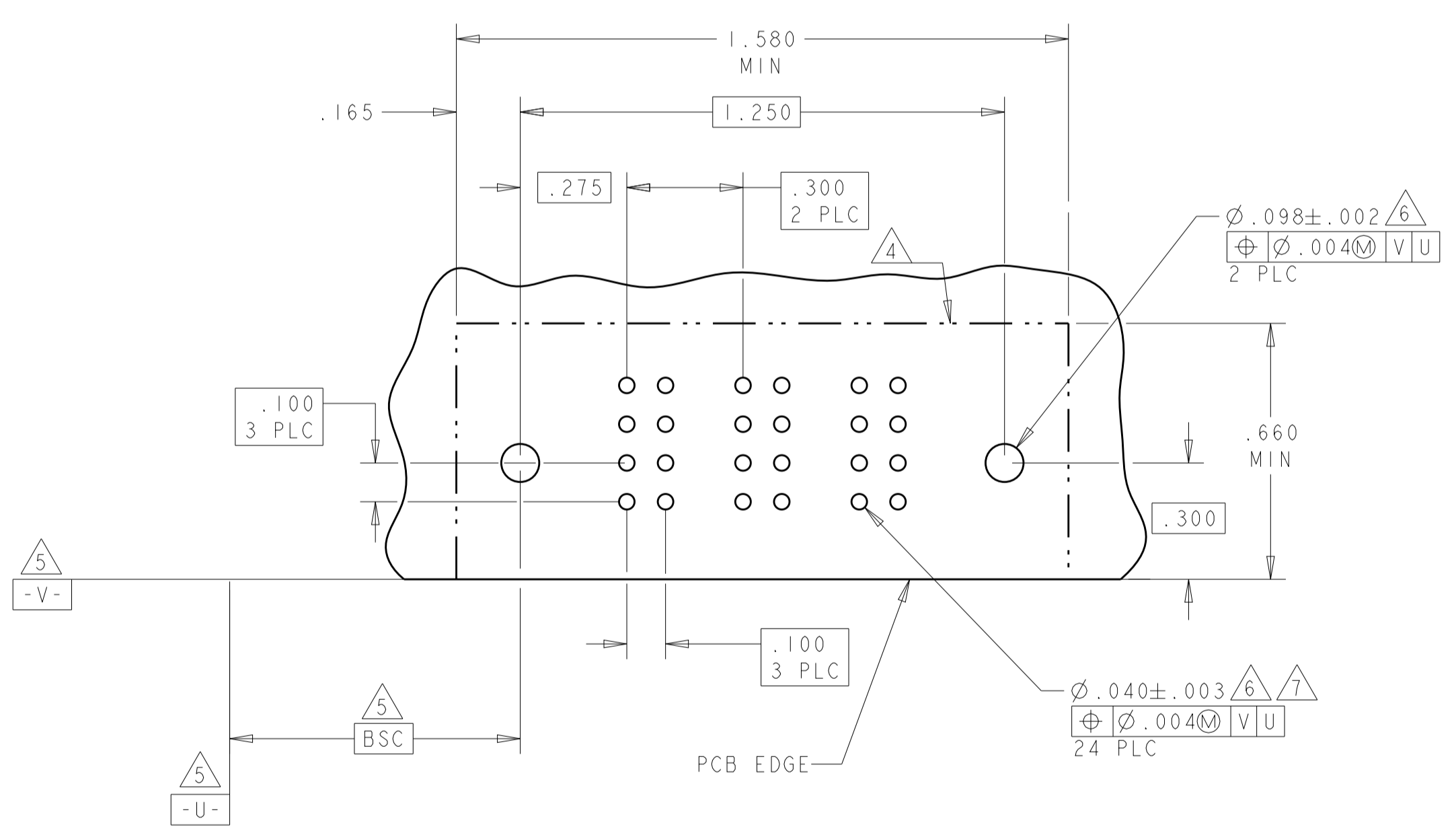
1.400	.375	1.450	.500	1.750	3ACP	1892103-2
1.200	.300	1.250	.475	1.550	3ACP	1892103-1
DIM U	DIM S	DIM D	DIM K	DIM L	DESCRIPTION	PART NUMBER

DIMENSIONS: INCHES 		TOLERANCES UNLESS OTHERWISE SPECIFIED: 0 PLC ±. 1 PLC ±.01 2 PLC ±.005 3 PLC ±.002 4 PLC ±.002 ANGLES ±.2° FINISH		DWN: L. LEE 06FEB2009 CHK: S. ZHAO 06FEB2009 APVD: S. YAO	NAME: Tyco Electronics Tyco Electronics incorporation Shanghai, P.R.China. 200233
MATERIAL:		FINISH:		PRODUCT SPEC: 108-1973 APPLICATION SPEC: 114-13038 WEIGHT:	SIZE: A1 CAGE CODE: 00779 DRAWING NO: 1892103 RESTRICTED TO: CUSTOMER DRAWING
SCALE: 3:1				SHEET: 1 OF 2	REV: A2

LOC	DIST	REVISIONS			
P	LTN	DESCRIPTION	DATE	DMN	APVD
-	-	SEE SHEET 1	-	-	-

PART NUMBER	ROWS	POWER		
		P1	P2	P3
1892103-1	D C B A	TM	TM	TM
3ACP		HD		HD

PART NUMBER	ROWS	POWER		
		P1	P2	P3
1892103-2	D C B A	TM	TM	TM
3ACP		HD		HD



TM	.135
CODE	TAIL LENGTH
POWER CONTACT	

<small>THIS DRAWING IS UNPUBLISHED. RELEASED FOR PUBLICATION. IT IS THE POLICY OF TYCO ELECTRONICS CORPORATION TO CONTROL AND PROTECT THE IDENTIFICATION OF THIS DRAWING FOR THE LATEST REVISION.</small>		DWN: L. LEE 06FEB2009 CHK: S. ZHAO 06FEB2009 APVD: S. YAO	Tyco Electronics Tyco Electronics incorporation Shanghai, P.R.China. 200233
DIMENSIONS: INCHES 		TOLERANCES UNLESS OTHERWISE SPECIFIED: 0 PLC ±. 1 PLC ±.01 2 PLC ±.01 3 PLC ±.005 4 PLC ±.0020 ANGLES ±.2°	NAME: RIGHT ANGLE HEADER ASSEMBLY W/GUIDES MULTI-BEAM XL PRODUCT SPEC: 108-1973 APPLICATION SPEC: SIZE: 114-13038 WEIGHT: CUSTOMER DRAWING
MATERIAL: FINISH:		SCALE: 3:1 SHEET: 2 OF 2 REV: A2	CAGE CODE: 00779 DRAWING NO: 1892103

单击下面可查看定价，库存，交付和生命周期等信息

[>>TE Connectivity\(泰科\)](#)