

THIS DRAWING IS UNPUBLISHED.

RELEASED FOR PUBLICATION

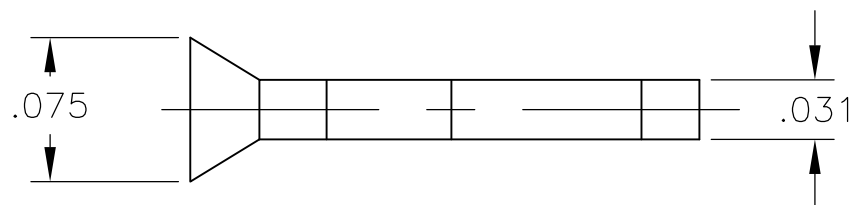
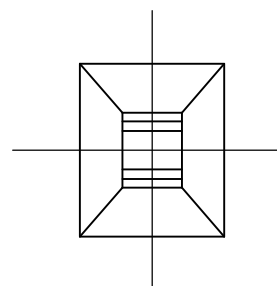
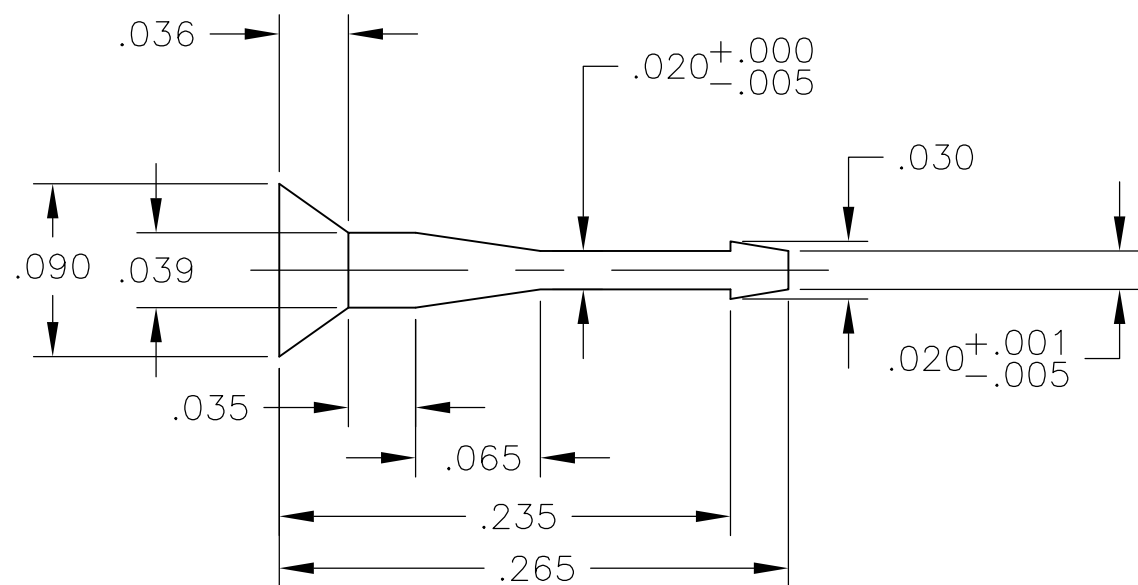
© COPYRIGHT - By -

ALL RIGHTS RESERVED.


LOC AD DIST 00

REVISIONS

P	LTR	DESCRIPTION	DATE	DWN	APVD
C1		REVISED PER ECO-11-004917	11MAR11	RK	HMR



86286-1 AS SHOWN

THIS DRAWING IS A CONTROLLED DOCUMENT.		DWN R BROWN 17OCT01	 TE Connectivity		
DIMENSIONS: INCHES		CHK J OLSON 17OCT01			
TOLERANCES UNLESS OTHERWISE SPECIFIED:		APVD J OLSON 17OCT01	KEYING PLUG FOR MOD II, AND IV		
<ul style="list-style-type: none"> 0 PLC ± - 1 PLC ± - 2 PLC ± - 3 PLC ± .003 4 PLC ± - ANGLES ± - 		PRODUCT SPEC -	RESTRICTED TO -		
MATERIAL NYLON 6/6 COLOR: NATURAL		APPLICATION SPEC -	SIZE A3	CAGE CODE 00779	DRAWING NO C-86286
FINISH -		WEIGHT -	CUSTOMER DRAWING		SCALE 10:1 SHEET 1 OF 1 REV C1

单击下面可查看定价，库存，交付和生命周期等信息

[>>TE Connectivity\(泰科\)](#)