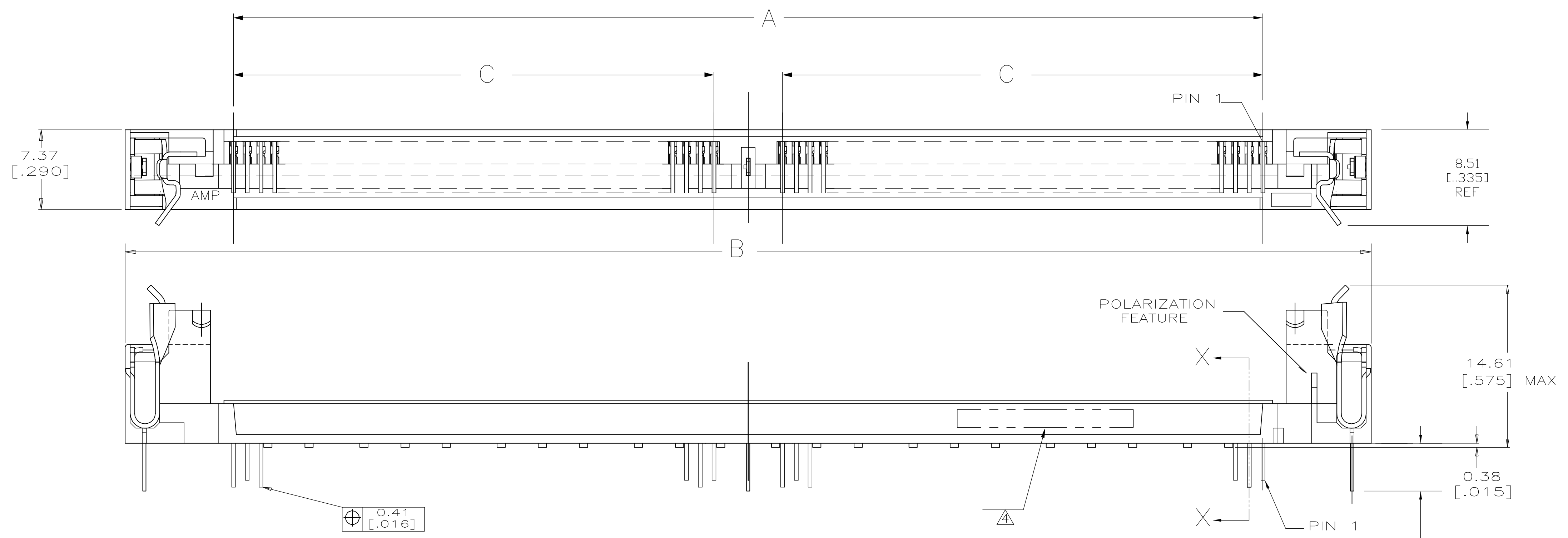
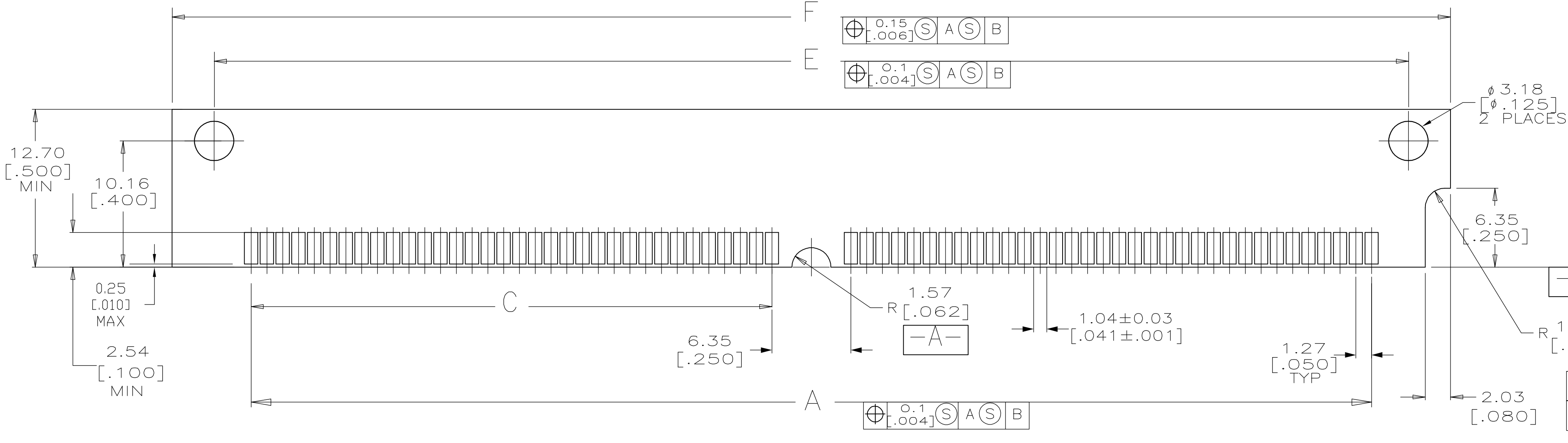
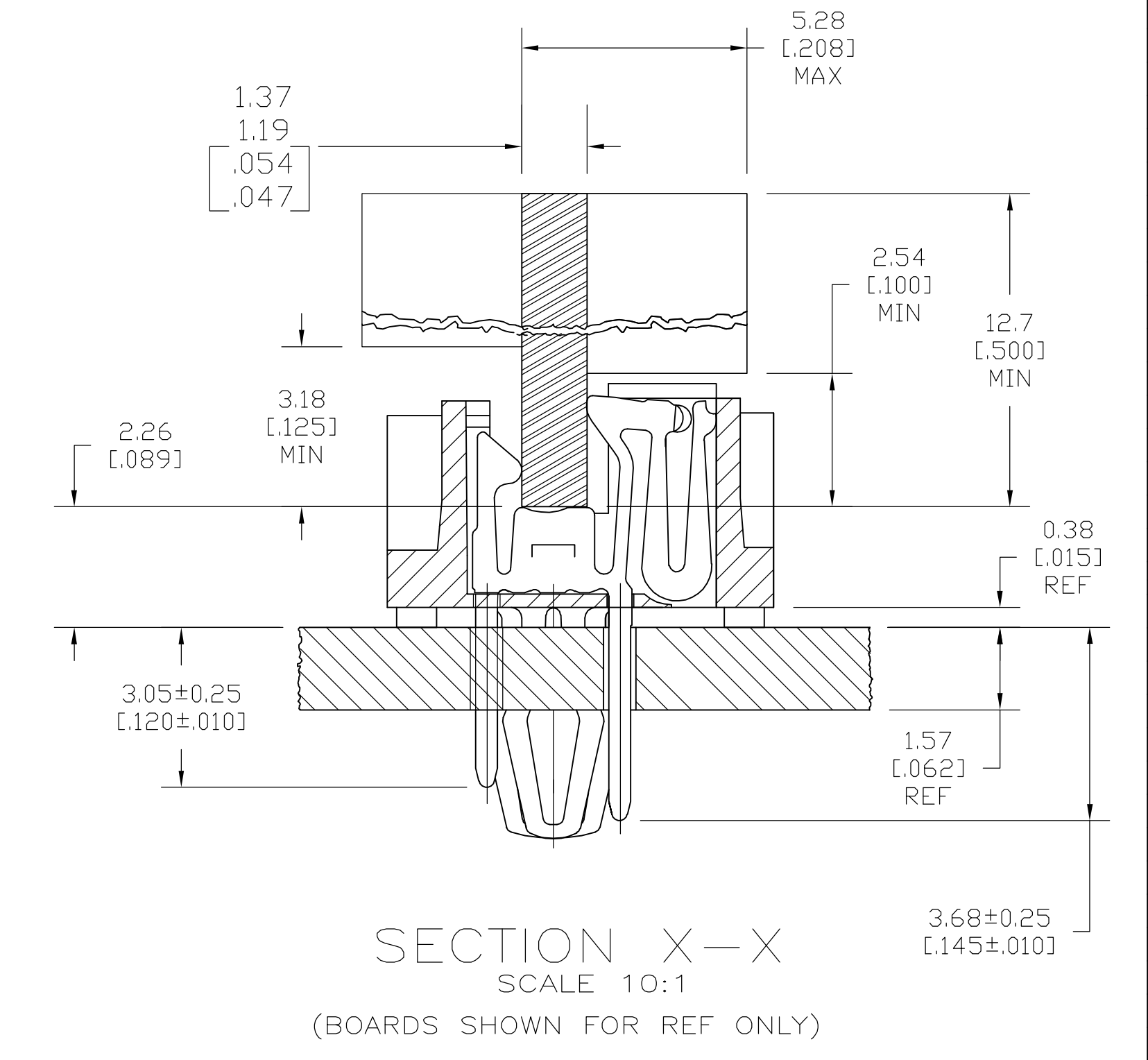
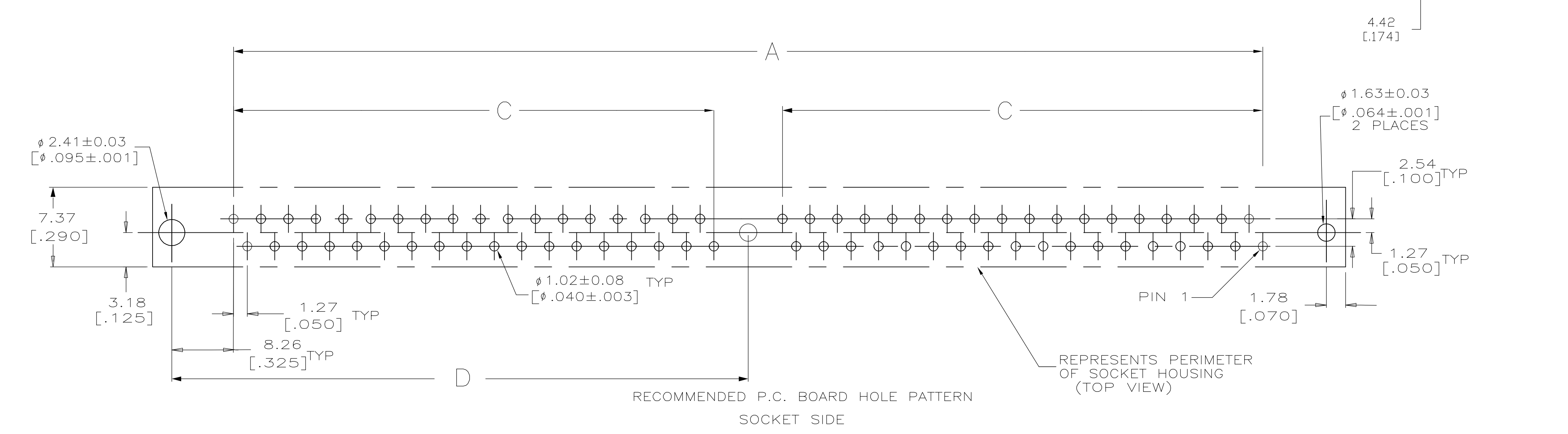


LOC		DIST		REVISIONS			
P	LTR	DESCRIPTION	DATE	DNW	APVD		
B		REVISED PER ECO-06-002414	06FEB06	JDP	MB		



- MATERIAL:**
 HOUSING: LIQUID-CRYSTAL-POLYMER, NATURAL
 CONTACT: PHOS. BRONZE PLATED WITH 0.00127 [.000050] MIN NICKEL ALL OVER WITH 0.00076 [.000030] MIN GOLD AT CONTACT POINTS AND 0.00508 [.000200] MIN MATTE TIN ON SOLDERDETAILS.
 LATCH: BRASS, NICKEL PLATE.
 RETENTION POSTS: PRE-TIN PLATED COPPER ALLOY.
- IN ADDITION TO THOSE RECOMMENDED "SIMM" P.C. BOARD DIMENSIONS AND TOLERANCES SHOWN, ALL JEDEC SPECIFICATIONS APPLY AS SHOWN ON MO-116, ISSUE A.
 - RECOMMENDED MATING S.I.M.M. TAB METALLURGY:
 BASE METAL-COPPER. PLATING TO BE 0.00076 [.000030] MIN GOLD OVER 0.00127 [.000050] MIN NICKEL.
- DATE CODE INFO, (YEAR, WEEK)**
 LOCATED APPROXIMATE AS SHOWN OPPOSITE SIDE.



118.11 [4.650]	111.35 [4.384]	60.96 [2.400]	49.53 [1.950]	125.73 [4.950]	105.41 [4.150]	80	822417-1
F	E	D	C	B	A	NO OF POSN	PART NO

RECOMMENDED "SIMM" P.C. BOARD

THIS DRAWING IS A CONTROLLED DOCUMENT.

DIMENSIONS: mm [INCHES]	TOLERANCES UNLESS OTHERWISE SPECIFIED:	DIN S. WAITMAN 01FEB06	APVD M. YOEMENS 01FEB06	tyco Electronics Tyco Electronics Corporation Harrisburg, PA 17105-3608
0 PLC ± -	1 PLC ± -	2 PLC ± -	3 PLC ± 0.1% (.005)	NAME
4 PLC ± -	ANGLES ± -	FINISH	WEIGHT	CONNECTOR, MICRO-EDGE, 1.27 [.050], VERT, GOLD, W/METAL LATCH & RETENTION POSTS
MATERIAL	FINISH	SIZE	SCALE	RESTRICTED TO
		A1	4:1	
CUSTOMER DRAWING		DRAWING NO	SHEET	REV
		00779	1 of 1	

单击下面可查看定价，库存，交付和生命周期等信息

[>>TE Connectivity\(泰科\)](#)