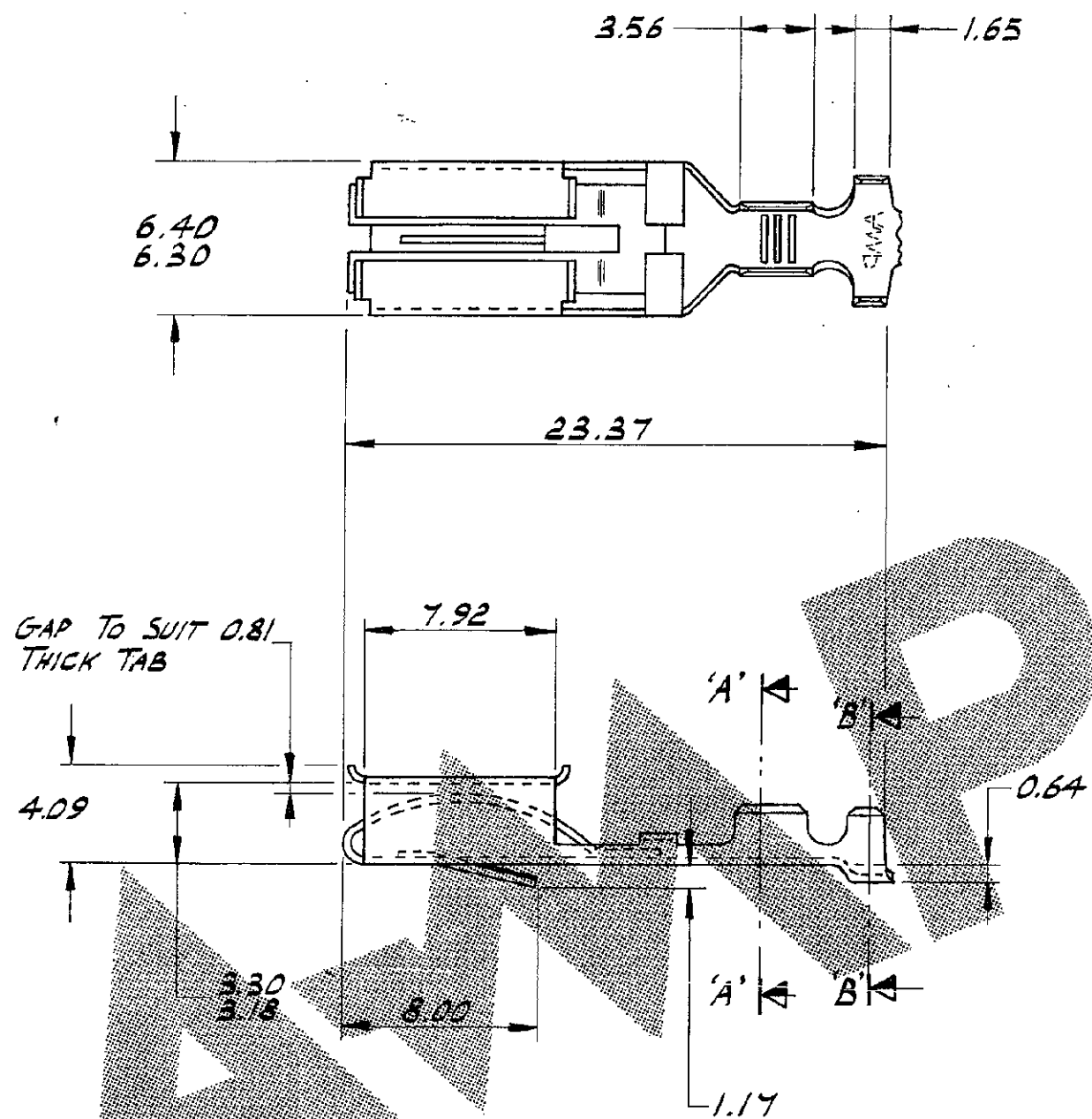
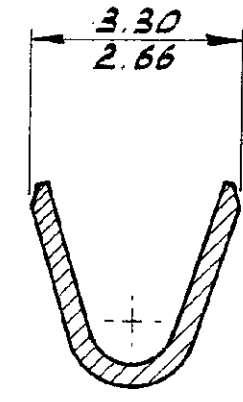


NUMBER C 342642

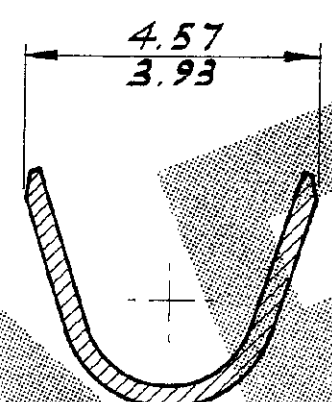


GAP TO SUIT 0.81 THICK TAB

NOTE
 ✓ REEL Qty. 2-5M



SECTION 'A'-'A'
 SCALE 10:1



SECTION 'B'-'B'
 SCALE 10:1

342872-4	342642-4	PHOS. BRONZE	PRE-TIN
342872-3	342642-3	PHOS. BRONZE	NONE
342872-2	342642-2	BRASS	PRE-TIN
342872-1	342642-1	BRASS	NONE
L.P. PART NO	PART NO	MATERIAL	FINISH

© AMP of GREAT BRITAIN LTD 1983		CUSTOMER COPY REFERENCE ONLY	
E SEE Ecn E800-0150-00 C.H.	10-3-00	MATERIAL AND FINISH	
3 -1 OBSOLETE A.B.H. 5055 279 88		0.40 THICK STOCK SEE TABLE	
2 L.P. NOS ADDED MW	7-3-85	WIRE - RANGE - INSULATION	
1 FIRST DRAWN - - -		0.5-1.5MM 1.4-2.5	
ISS REVISION RECORD DR CHK DATE		TOLERANCE EXCEPT AS NOTED ± 0.5	SCALE ± 1° 4:1
DR J.CREW 14.6.83	DE [Signature]	LOC E B	NO C342642
CHK [Signature]	AP [Signature]	NAME SPRING RECEPTACLE	

WAS P83 9441 (GERMANY PROPOSAL)

单击下面可查看定价，库存，交付和生命周期等信息

[>>TE Connectivity\(泰科\)](#)