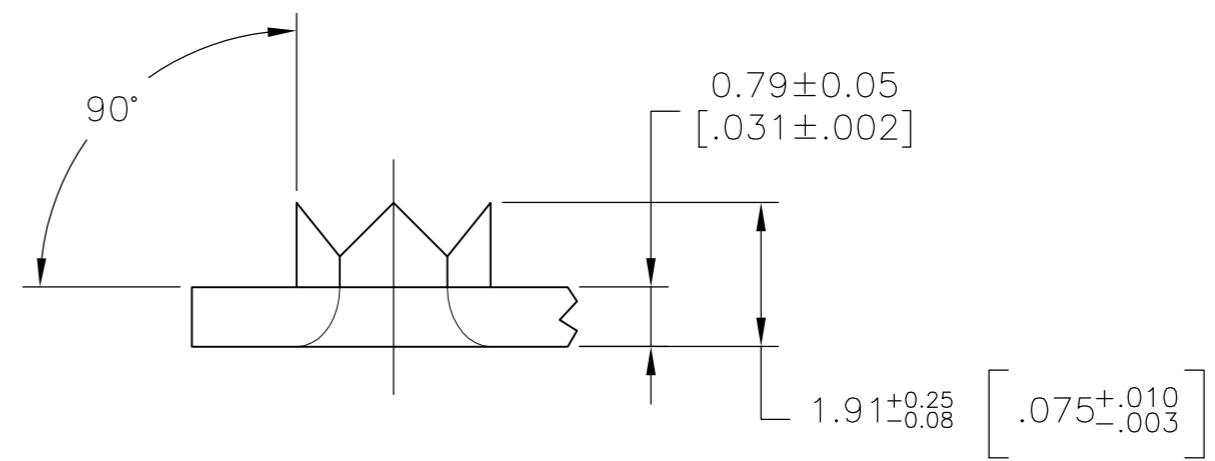
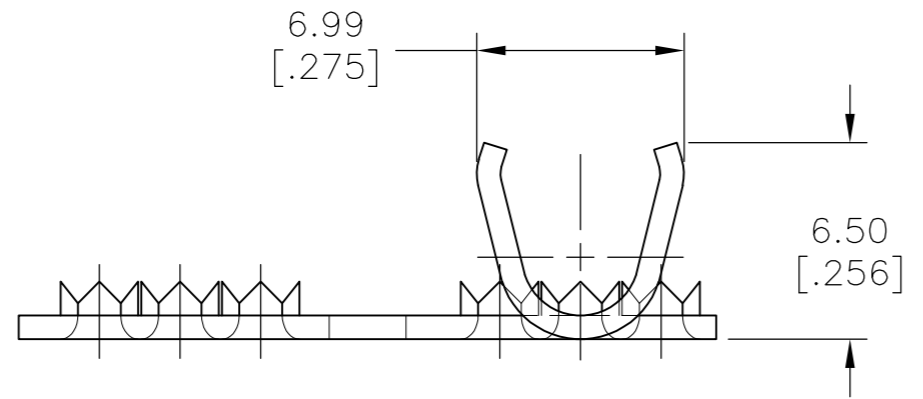
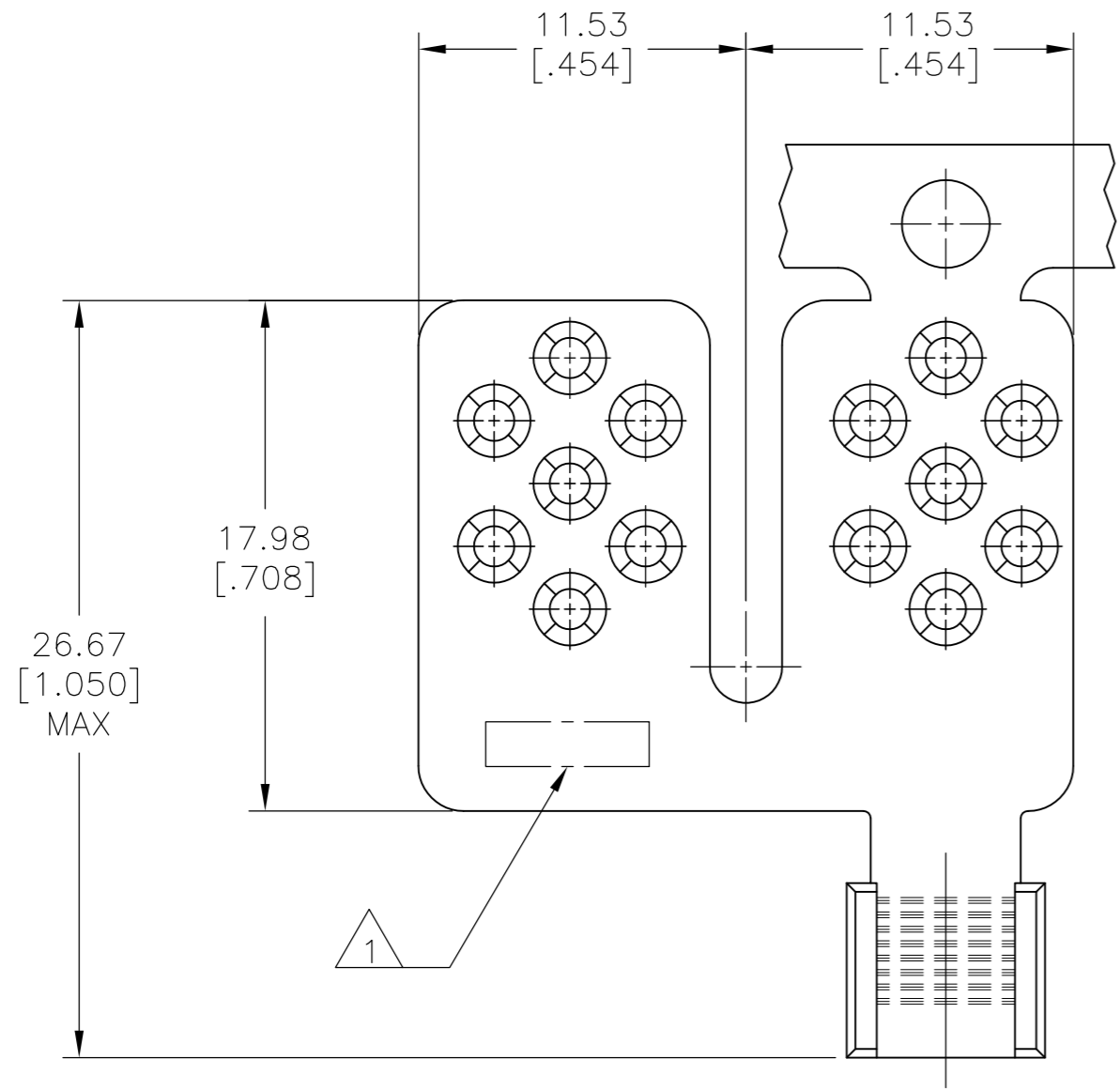


THIS DRAWING IS UNPUBLISHED. RELEASED FOR PUBLICATION  
 © COPYRIGHT - By - ALL RIGHTS RESERVED.

REVISIONS					
P	LTR	DESCRIPTION	DATE	DWN	APVD
B		REV PER 0G3A-0697-03	03NOV03	-	JR
B1		REVISED PER ECO-16-017419	13MAR2017	RS	DR



1 STAMP AMP APPROX AS SHOWN.



DETAIL OF LANCE  
SCALE 10:1

AMP INCORPORATED CUSTOMER SERVICE SYSTEMS		MAX RECOMMENDED OPERATING TEMPERATURE: 170°C [338°F] MAX
FOR ADDITIONAL PRODUCT INFORMATION OR COPIES OF DRAWINGS AND TECHNICAL DOCUMENTS	PRODUCT INFORMATION CENTER 1-800-522-6752	VOLTAGE RATING: NOT APPLICABLE
FOR APPLICATION TOOLING INFORMATION	TOOLING ASSISTANCE CENTER 1-800-722-1111	WIRE CROSS SECTIONAL AREA RANGE: 2.62-6.64mm <sup>2</sup> [5,180-13,100] CIR MILS SOLID OR STRANDED
FOR ORDER ENTRY	1-800-526-5142	THIS DRAWING IS A CONTROLLED DOCUMENT FOR AMP INCORPORATED. IT IS SUBJECT TO CHANGE AND THE CONTROLLING ENGINEERING ORGANIZATION SHOULD BE CONTACTED FOR THE LATEST REVISION.

THIS DRAWING IS A CONTROLLED DOCUMENT.		DWN DK SCHRUM 6/16/94	2000		STANDARD	53644-2
DIMENSIONS: mm [INCHES]		CHK AJ KAUFMAN 6/20/94	REEL QUANTITY	REELING DIRECTION	PART NO.	
TOLERANCES UNLESS OTHERWISE SPECIFIED:		APVD RE ROSER 6/20/94				
0 PLC ± -		PRODUCT SPEC	TERMINAL, W/ OPEN BARREL, TAP, TERMI-FOIL™, WIRE SIZE: 12-10 AWG			
1 PLC ± -		APPLICATION SPEC	SIZE	CAGE CODE	DRAWING NO	RESTRICTED TO
2 PLC ± -		WEIGHT	A2	00779	C=53644	-
3 PLC ± -		MATERIAL COPPER PER ASTM B-152	CUSTOMER DRAWING			
4 PLC ± -		FINISH TIN PLATE .00254[.000100] MIN THK PER MIL-T-10727	SCALE	SHEET	REV	
ANGLES ± -			4:1	1 OF 1	B1	

单击下面可查看定价，库存，交付和生命周期等信息

[>>TE Connectivity\(泰科\)](#)