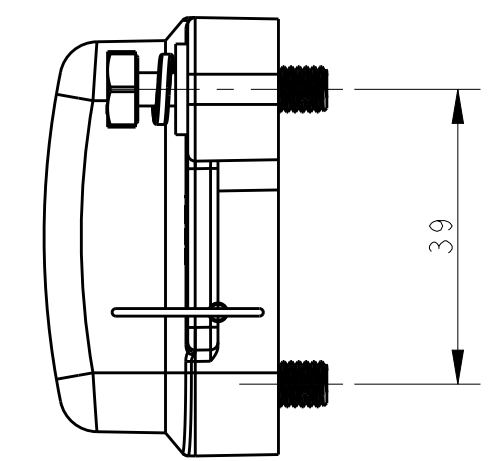
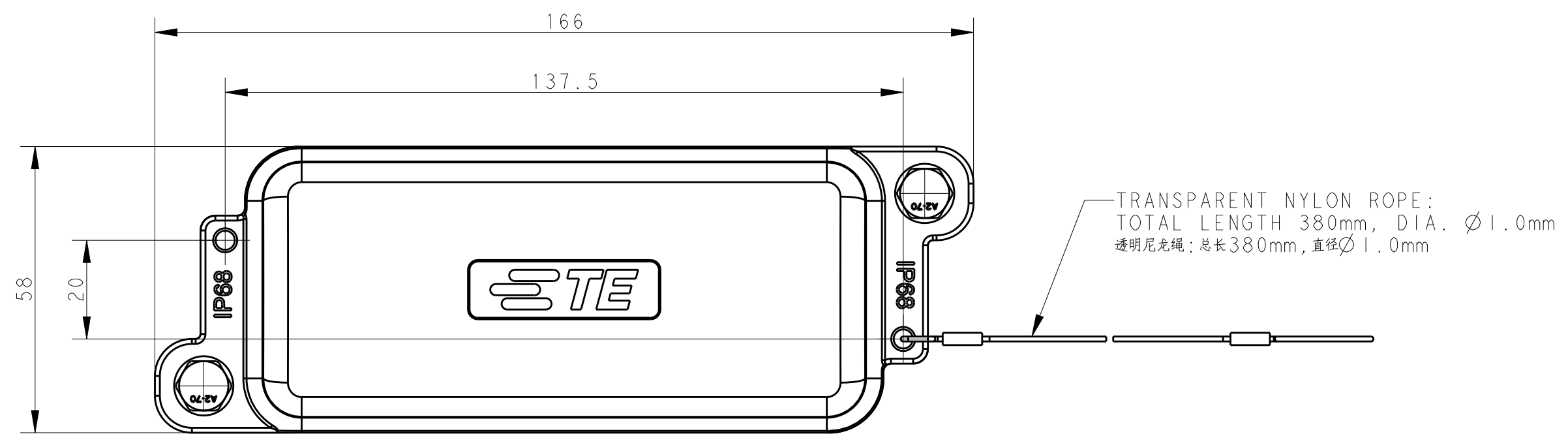
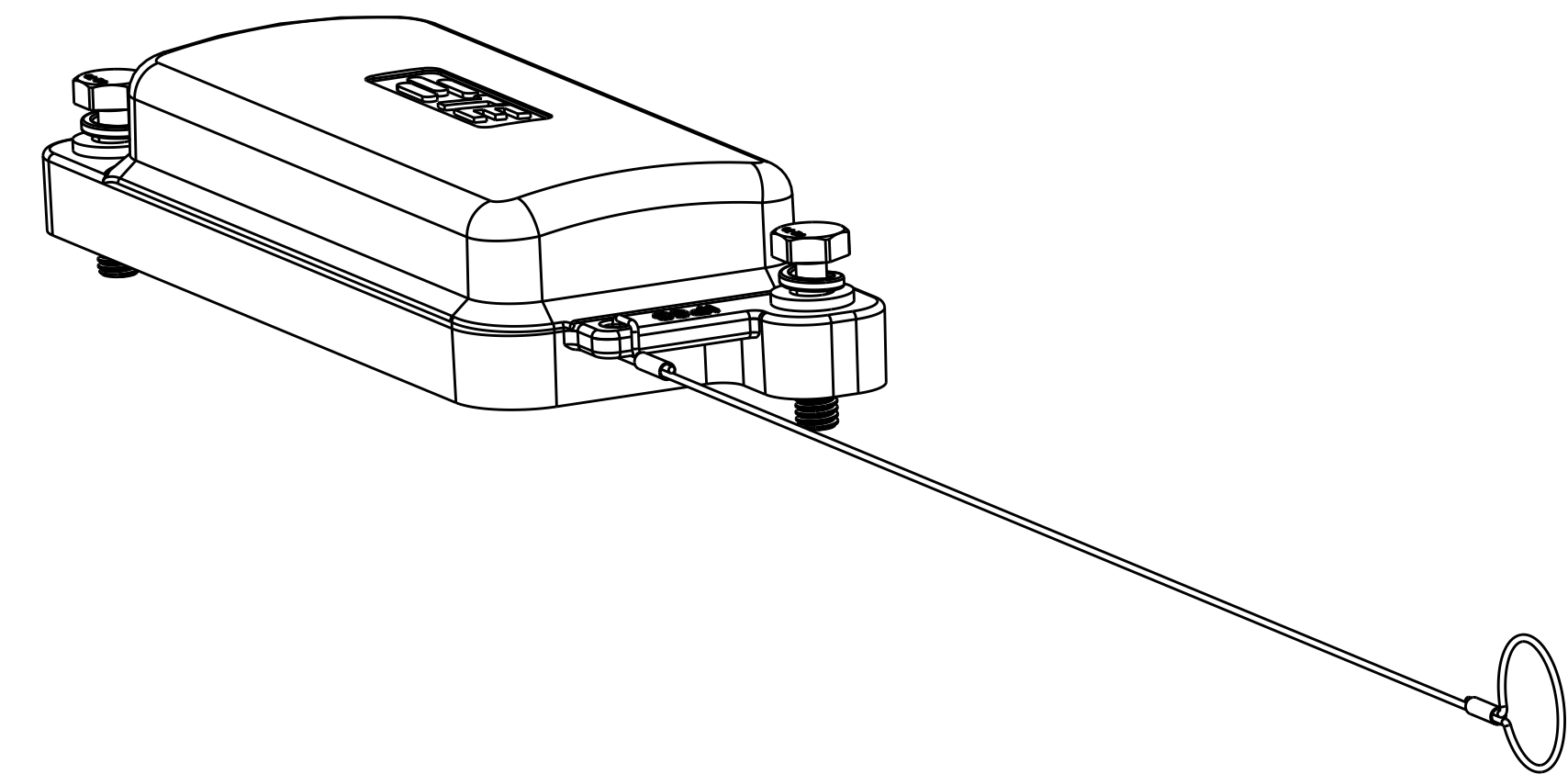
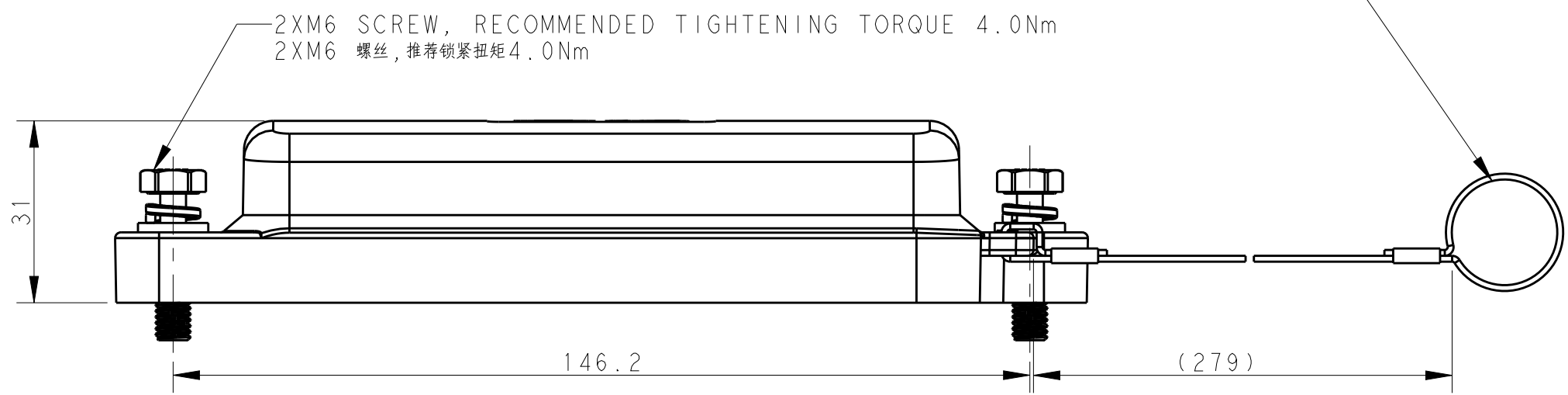


THIS DRAWING IS UNPUBLISHED. RELEASED FOR PUBLICATION 20  
 © COPYRIGHT 20 BY - ALL RIGHTS RESERVED.

REVISIONS				
P	LTR	DESCRIPTION	DATE	APVD
A		INITIAL RELEASE	22OCT2016	DW CW
A1		ECR-17-008404	10JUN2017	CH CW
A2		ECR-18-004494	23MAR2018	DW CW



LOOP SIZE DEFAULT VALUE DIA. Ø18,  
 UNLESS HAVE SPECIAL REQUIREMENT.  
 套圈大小默认值直径是Ø18, 除非有特别要求.



NOTES:  
 1. TECHNICAL CHARACTERISTICS:  
 COVER MATERIAL: DIE CAST ALUMINIUM ALLOY  
 SURFACE TREATMENT: SEE TABLE

注释  
 1. 技术参数:  
 壳体材料: 铝合金  
 表面处理: 见表格

T1990161000-009	HI6BPR-KDBM-EMC-C	HI6BPR HOUSING METAL PROTECTION COVER, DIAGONAL LOCKING, NYLON ROPE, POWDER COATED, SILVER WHITE HI6BPR对角锁定金属保护盖, 尼龙绳, 银白色粉末喷涂
T1990160000-009	HI6BPR-KDBM-EMC-C	HI6BPR HOUSING METAL PROTECTION COVER, DIAGONAL LOCKING, NYLON ROPE, POWDER COATED, BLACK HI6BPR对角锁定金属保护盖, 尼龙绳, 黑色粉末喷涂
PART NUMBER 料号	PART DESCRIPTION 描述	

THIS DRAWING IS A CONTROLLED DOCUMENT.		DWN DAVID.WANG 22OCT2016	TE Connectivity	
		CHK CHRIS.WANG 22OCT2016		
		APVD XIANG.XU 22OCT2016		
DIMENSIONS: mm 		TOLERANCES UNLESS OTHERWISE SPECIFIED: 0 PLC ± 1 PLC ± 2 PLC ± 3 PLC ± 4 PLC ± ANGLES ± FINISH -		NAME HI6BPR-KDBM-EMC-C
MATERIAL -		PRODUCT SPEC - APPLICATION SPEC - WEIGHT -		SIZE A2 CAGE CODE - DRAWING NO. C-T1990160000009 RESTRICTED TO
		CUSTOMER DRAWING		SCALE 1:1 SHEET 1 OF 1 REV A2

单击下面可查看定价，库存，交付和生命周期等信息

[>>TE Connectivity\(泰科\)](#)