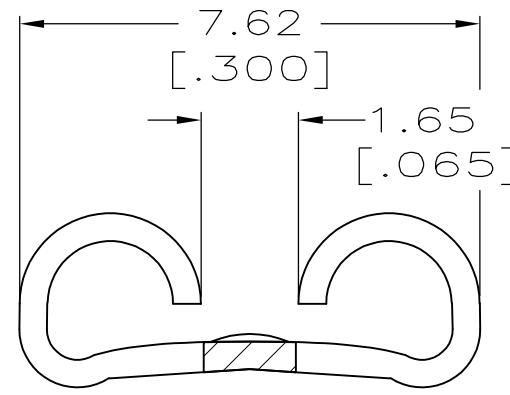


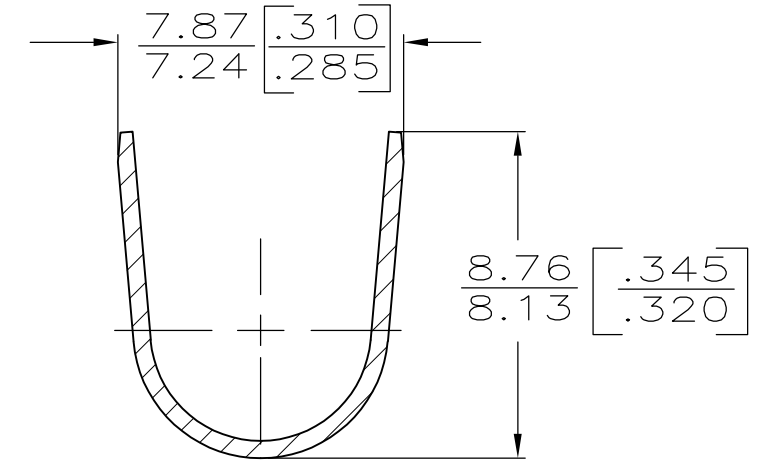
THIS DRAWING IS UNPUBLISHED. RELEASED FOR PUBLICATION
 © COPYRIGHT - By - ALL RIGHTS RESERVED.

LOC	DIST	REVISIONS					
AF	50	P	LTR	DESCRIPTION	DATE	DWN	APVD
		M		REVISED PER ECR-12-013445	18OCT12	KH	PD

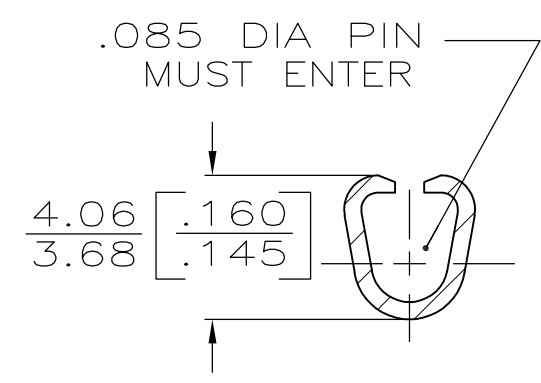
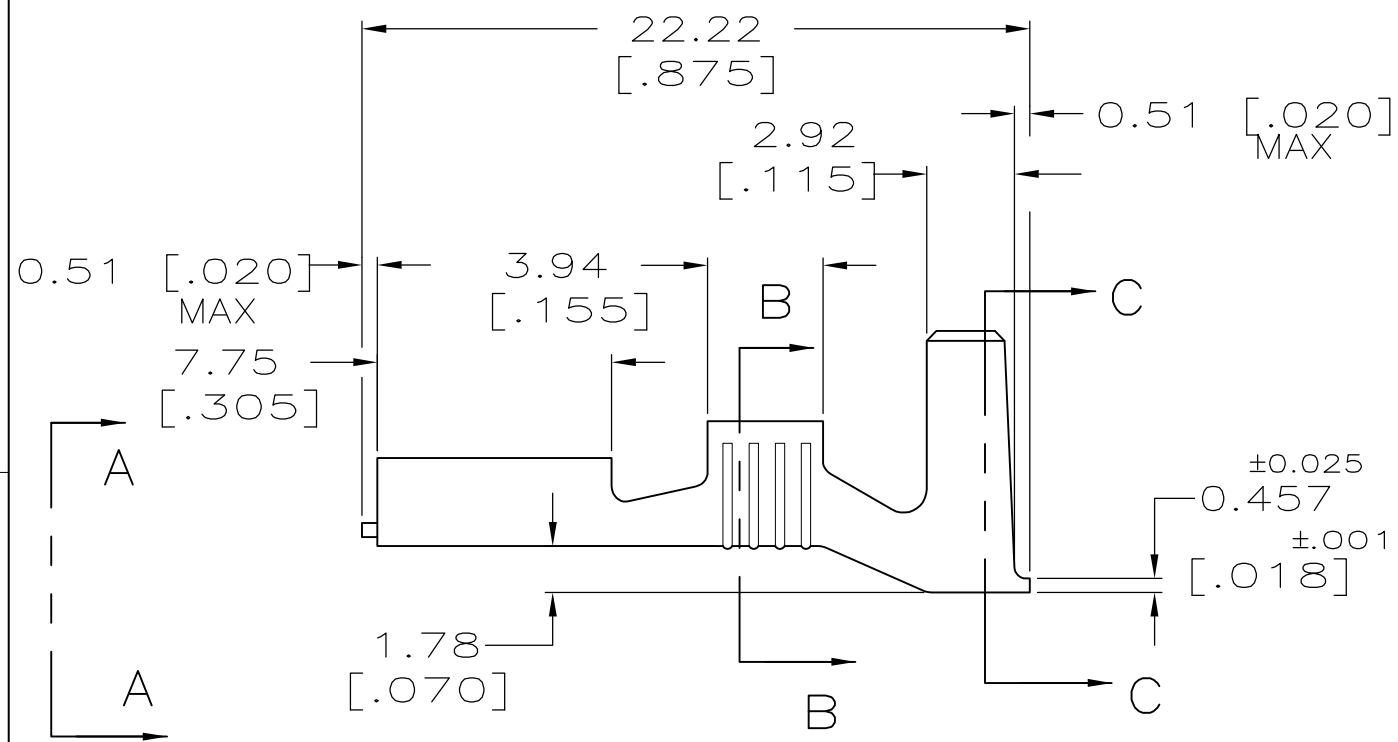
- 1 SUPPLIED IN LOOSE PIECE
- 2 WIRE BARREL IS PRE-CRIMPED



VIEW A-A
SCALE 8:1



SECTION C-C
SCALE 5:1



SECTION B-B
SCALE 5:1

5.33-6.73 or (2) 3.05 [.210-.265] or (2) [.120]	1.3-3.0mm ² or (2) 0.8mm ² [16-12] or (2) [#18's]	0.813 [.032]	42021
INSULATION RANGE	WIRE SIZE	MATING TAB THK ±0.025 [.001]	PART NO

F	7.62 [.300]	6.4 [.252]	F	3.05 [.120]	2.413[.095]	3.0mm ² [12]
					2.083[.082]	2.0mm ² [14]
					1.880[.074]	1.3mm ² [16]
TYPE	WIDTH	STRIP LENGTH ±0.38 ±[.015]	TYPE	WIDTH	±.051[±.002] HEIGHT	WIRE
INSUL BARREL CRIMP			WIRE BARREL CRIMP			

THIS DRAWING IS A CONTROLLED DOCUMENT.

DIMENSIONS: mm [INCHES]	TOLERANCES UNLESS OTHERWISE SPECIFIED:	DWN JR RUTH 6/25/97	TE Connectivity RECEPTACLE, FASTON,™ .250 SERIES
	0 PLC ± -	CHK MS FEHER 6/25/97	
	1 PLC ± -	APVD P DESANTIS 6/25/97	
	2 PLC ± -	PRODUCT SPEC	
	3 PLC ± 0.38 [.015]	APPLICATION SPEC	NAME
	4 PLC ± -	114-2036	SIZE
	ANGLES ± -	WEIGHT -	CAGE CODE
MATERIAL BRASS	FINISH TIN	CUSTOMER DRAWING	DRAWING NO
			RESTRICTED TO
			A300779
			C-42021
			SCALE 4:1
			SHEET 1 OF 1
			REV M

单击下面可查看定价，库存，交付和生命周期等信息

[>>TE Connectivity\(泰科\)](#)