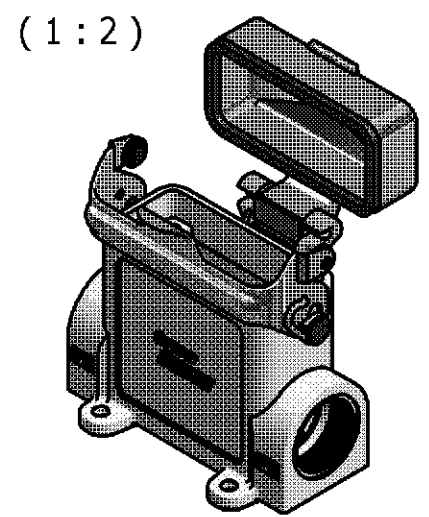


NOTES

- 1 PACKAGING QUANTITY: 5 PIECES PER BOX
- 2 MATERIAL:HOUSING:ALUMINIUM DIE CAST ALLOY
- 3 SURFACE:VARNISH GREY
- 4 VARNISH ON THE INSIDE NOT NECESSARY



PN:1-2 as shown

**PN:1-2
Ordering Text:
HD.15.SGD-LB.2.16 Z**

	DESCRIPTION	MATERIAL	SURFACE	COLOR	ITEM NO.	REMARKS
1	Cover	Aluminium	-	Grey	3	-
1	Clip	Steel	Zinc Plated	Blue	2	-
1	Surface Mounting housing Side Entry,HD	Aluminium	-	Grey	1	-
1-2	DESCRIPTION	MATERIAL	SURFACE	COLOR	ITEM NO.	REMARKS

THIS DRAWING IS A CONTROLLED DOCUMENT FOR AMP INCORPORATED. IT IS SUBJECT TO CHANGE AND THE CONTROLLING ENGINEERING ORGANIZATION SHOULD BE CONTACTED FOR THE LATEST REVISION. DIESES ZEICHNUNGSDOKUMENT WIRD DURCH AMP INCORPORATED KONTROLLIERT. ÄNDERUNGEN, DIE DEM TECHNISCHEN FORTSCHRITT DIENEN, SIND VORBEHALTEN. DEN JEWELIGS LETZTGÜLTIGEN ÄNDERUNGSSTAND ERFAHREN SIE AUF ANFRAGE.	DIMENSIONS: DIMENSIONEN: mm	TOLERANCES UNLESS OTHERWISE SPECIFIED: ALLGEMEINTOLERANZEN	DWN R.SRINIVAS 4/24/2006 CHK R.SRINIVAS 4/24/2006 APVD T.SCHNURPFEIL 4/24/2006		Tyco / Electronics AMP GmbH D - 53819 Neunkirchen,Germany
n. ISO 8015 - n. ISO 2768 - mH-E n. DIN 16901- 140	0 PLC # 1 PLC # 2 PLC # 3 PLC # ANGLES / WINKEL #	PRODUCT SPEC. 108-74009 APPLICATION SPEC. 114-74004	NAME SURFACE MOUNTED HOUSING-SIDE ENTRY HD.15.SGD-LB.2.16.Z	SIZE A3	CAGE CODE 00779
MATERIAL 2	FINISH / OBERFLÄCHE / FARBE 3	WEIGHT GEWICHT -	DRAWING NO ZEICHNUNGS-NR. 1102448	RESTRICTED TO NUR FUER	SCALE MASSSTAB 1:1
			CUSTOMER DRAWING / KUNDENZEICHNUNG	SHEET BLATT 1	OF VON 1
			REV. B1		

H:\HTS\EGGMA05416\HD_1102448\1102448_1102448_B1.dwg

单击下面可查看定价，库存，交付和生命周期等信息

[>>TE Connectivity\(泰科\)](#)