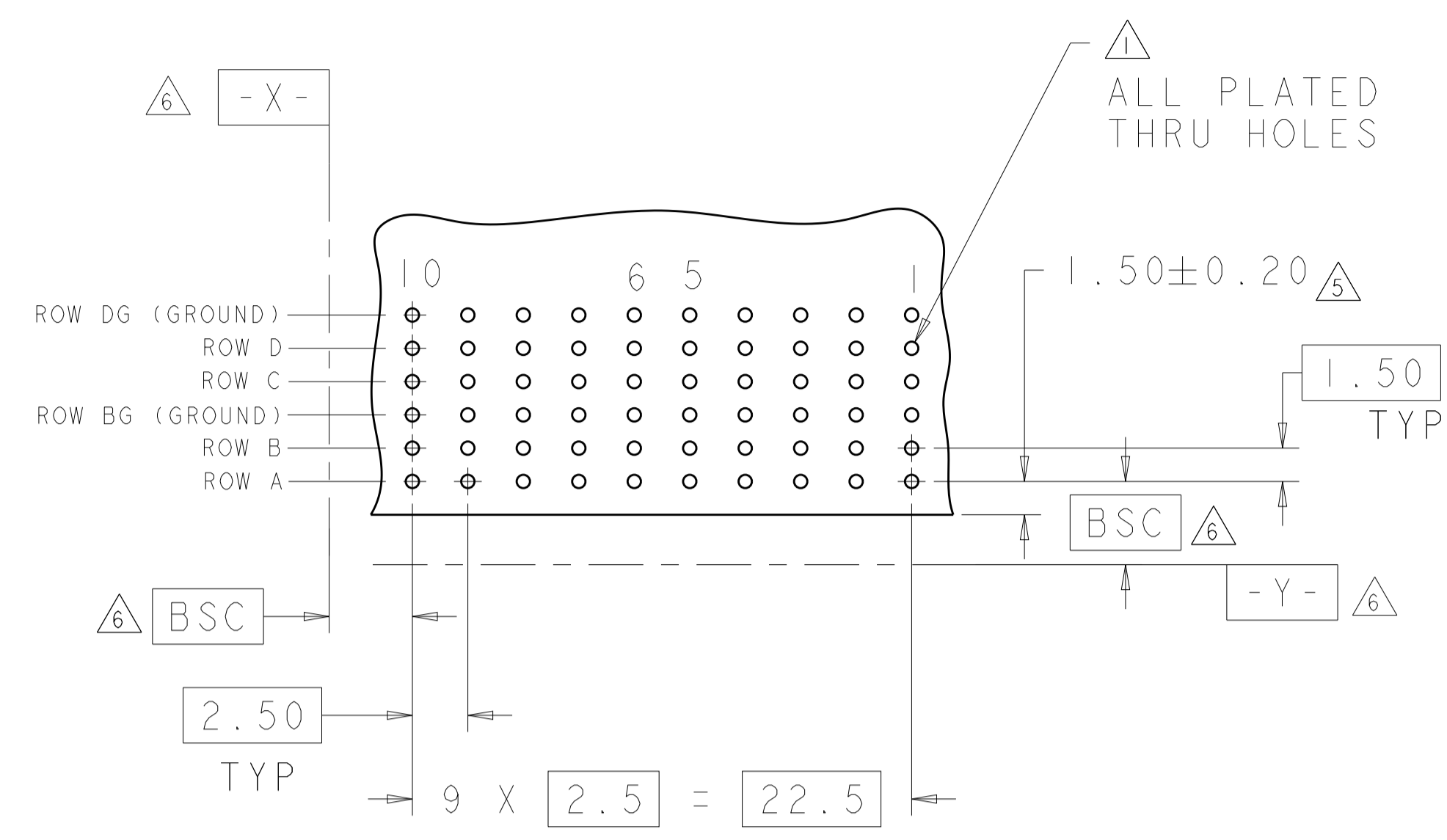
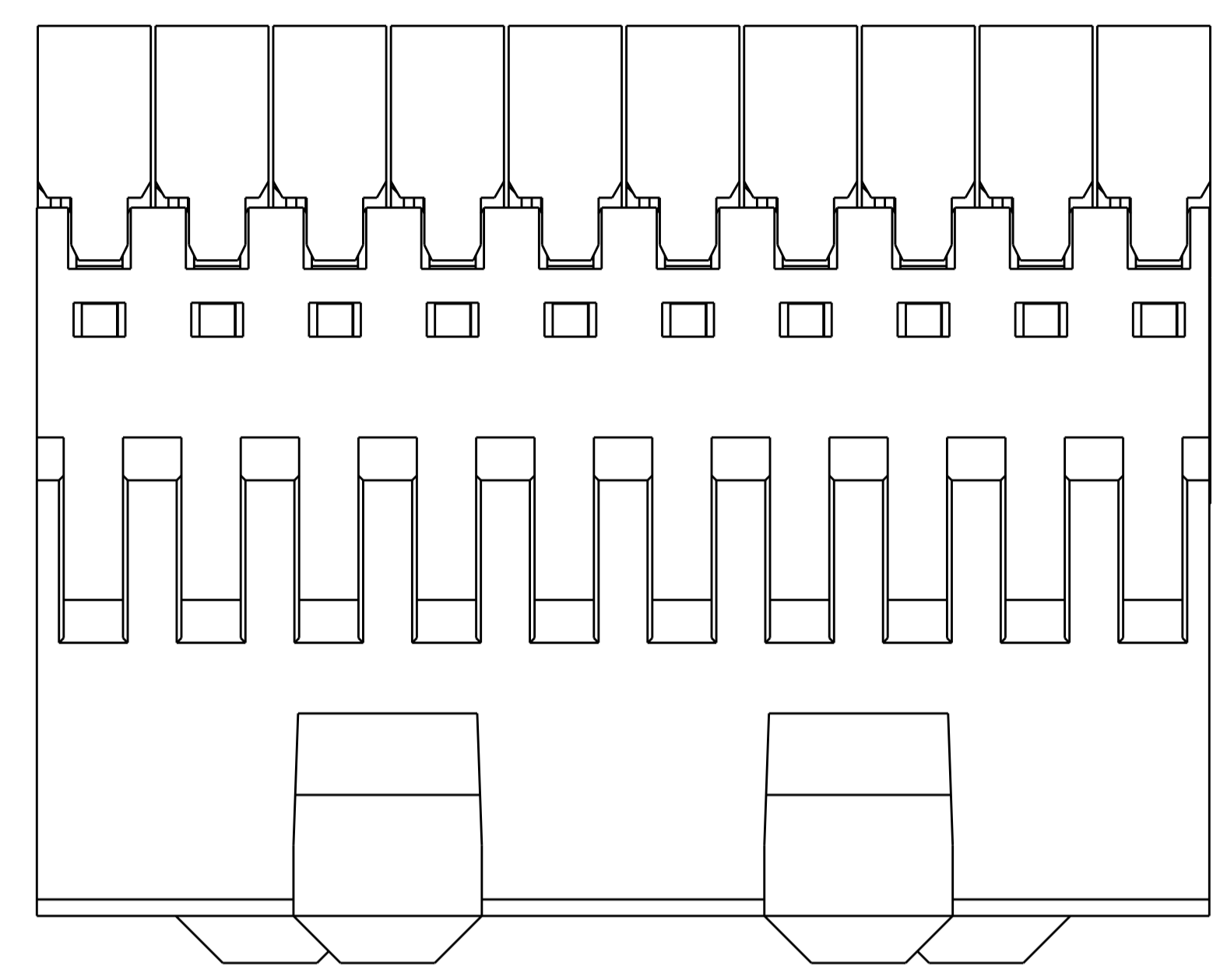
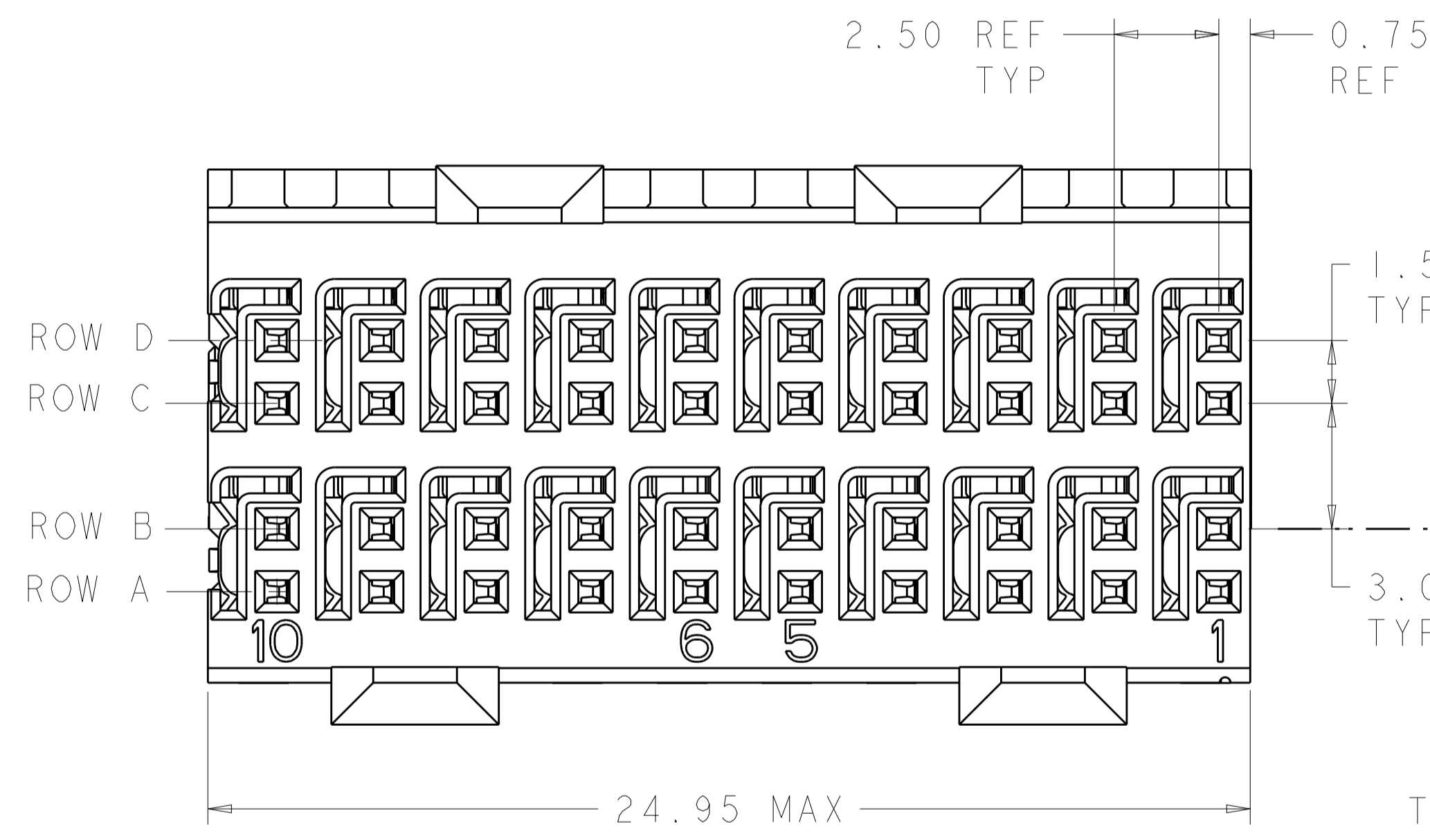


REVISIONS				
P.	LTN	DESCRIPTION	DATE	APVD
C		REVISED PER ECO-14-005095	14APR2014	AP RP
D		REVISED PER ECO-16-008845	20SEP2016	AP RP

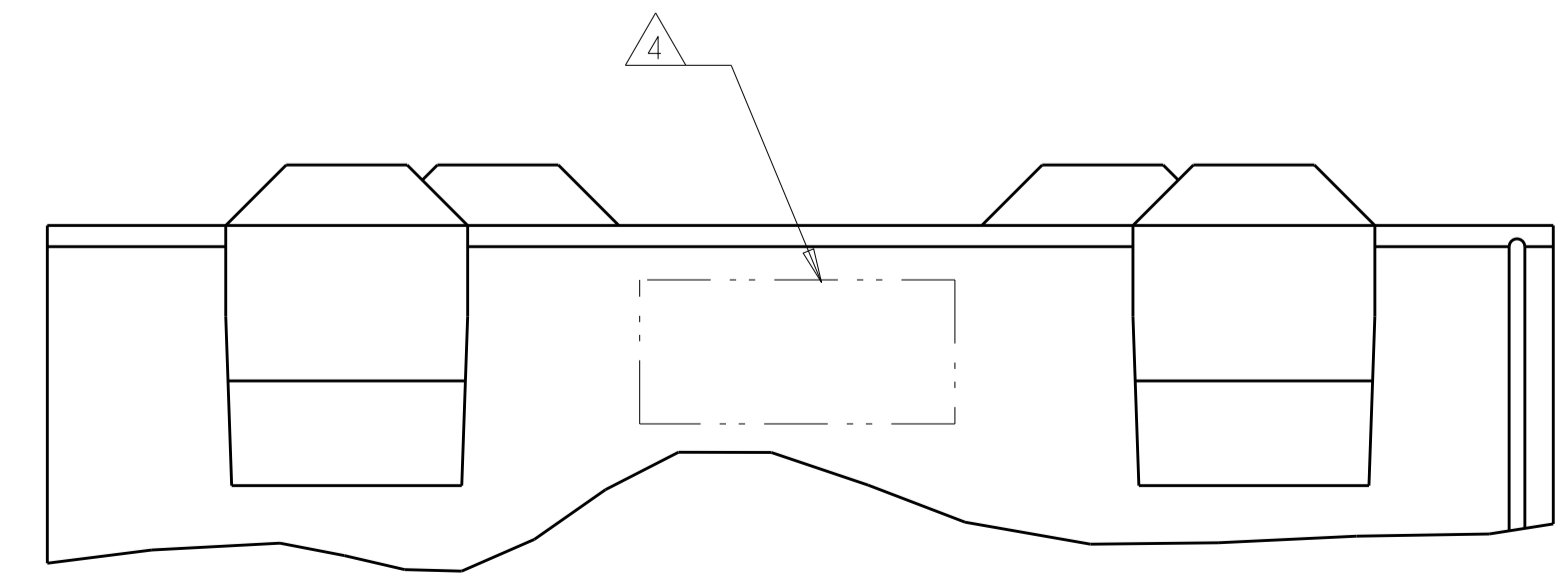
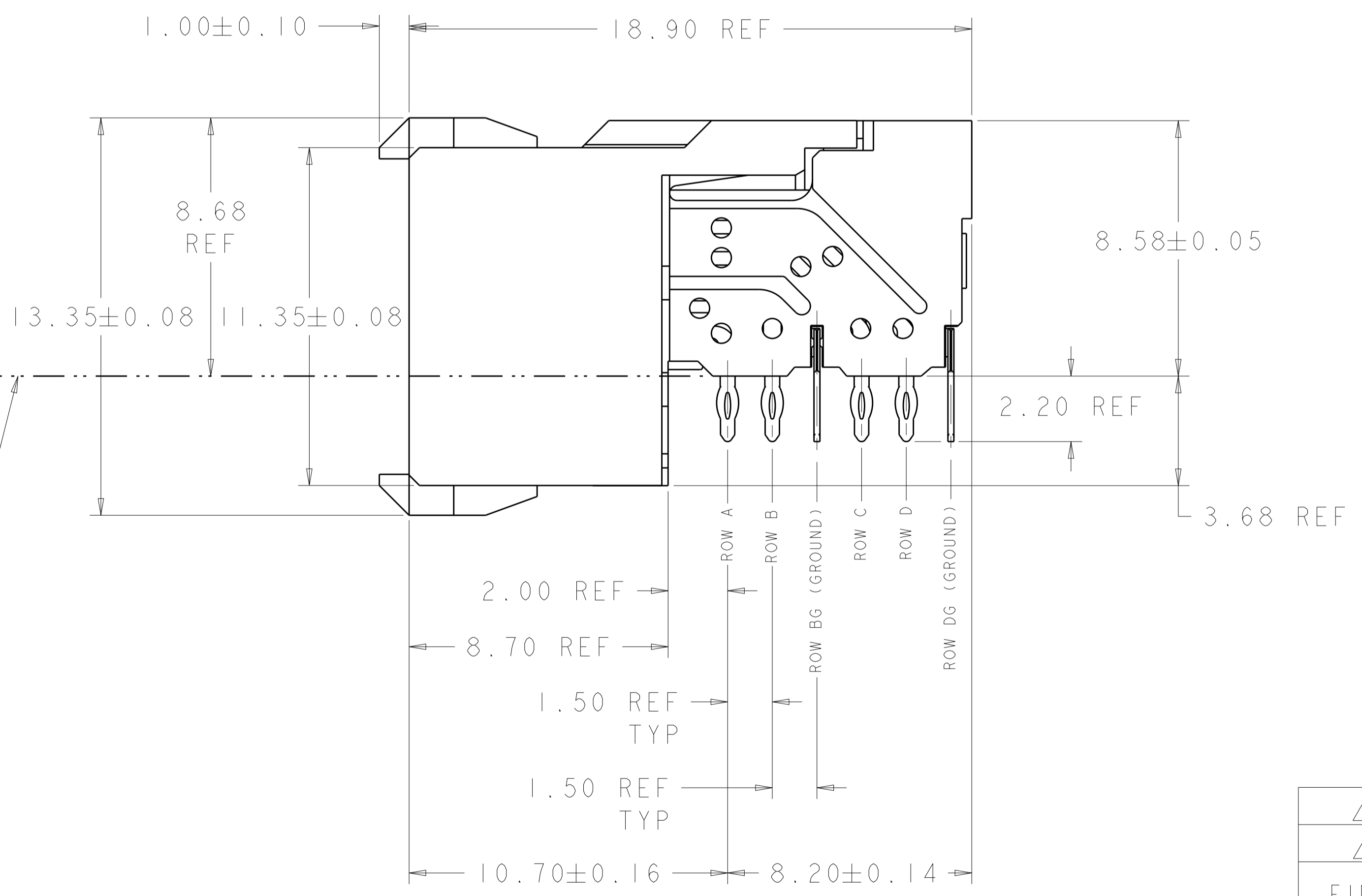


RECOMMENDED PC BOARD LAYOUT,
 DAUGHTER BOARD,
 COMPONENT SIDE SHOWN
 SCALE 4:1

- △ REFERENCE APPLICATION SPEC 114-13059 FOR RECOMMENDED PLATED THRU HOLE DIAMETER AND PLATING THICKNESSES.
- △ MATERIAL:
 SHIELD - PHOSPHOR BRONZE
 CONTACT - COPPER-NICKEL-SILICON
 HOUSING, CHICKLET AND CHICKLET COVER -
 GLASS FILLED POLYESTER, UL 94V-0 RATED.
- △ FINISH: CONTACT AND SHIELD
 MATING AREA - 1.27µm MIN GOLD OVER 1.27µm MIN NICKEL
 COMPLIANT PIN AREA - 0.5µm MIN MATTE TIN
 OVER 1.27µm MIN NICKEL
- △ CONNECTOR MARKED WITH PART NUMBER AND DATE CODE
 IN APPROXIMATE AREA SHOWN
- △ DIMENSION APPLIES TO CENTERLINE OF THRU HOLE.
- △ DATUMS AND BASIC DIMENSIONS ESTABLISHED BY
 CUSTOMER.
- △ CONTACT AREA LUBRICATED WITH BELLCORE
 APPROVED LUBRICANT. TECHNICAL REFERENCE:
 GR-1217-CORE, ISSUE 1, NOVEMBER 1995.
- △ FINISH: CONTACT AND SHIELD
 MATING AREA - 2.54µm MIN GOLD OVER 1.27µm MIN NICKEL
 COMPLIANT PIN AREA - 0.5µm MIN MATTE TIN
 OVER 1.27µm MIN NICKEL



TOP SURFACE OF
 DAUGHTER CARD



△ 8	1645599-2
△ 3	1645599-1
FINISH	PART NUMBER

THIS DRAWING IS A CONTROLLED DOCUMENT.

DIMENSIONS:	TOLERANCES UNLESS OTHERWISE SPECIFIED:	OWN D. HUMBERT 09FEB2011	CHK J. EARY 09FEB2011	APVD J. EARY 09FEB2011	NAME
mm	0 PLC ±				RECEPTACLE ASSEMBLY, 2 PAIR, 25mm, HMZ d
	1 PLC ±				SIZE CAGE CODE DRAWING NO
	2 PLC ±				A100779C=1645599
	3 PLC ±				RESTRICTED TO
	4 PLC ±				
	ANGLES ±				
MATERIAL	FINISH	WEIGHT	CUSTOMER DRAWING		SCALE 8:1 SHEET 1 OF 1 REV D

TE Connectivity

单击下面可查看定价，库存，交付和生命周期等信息

[>>TE Connectivity\(泰科\)](#)