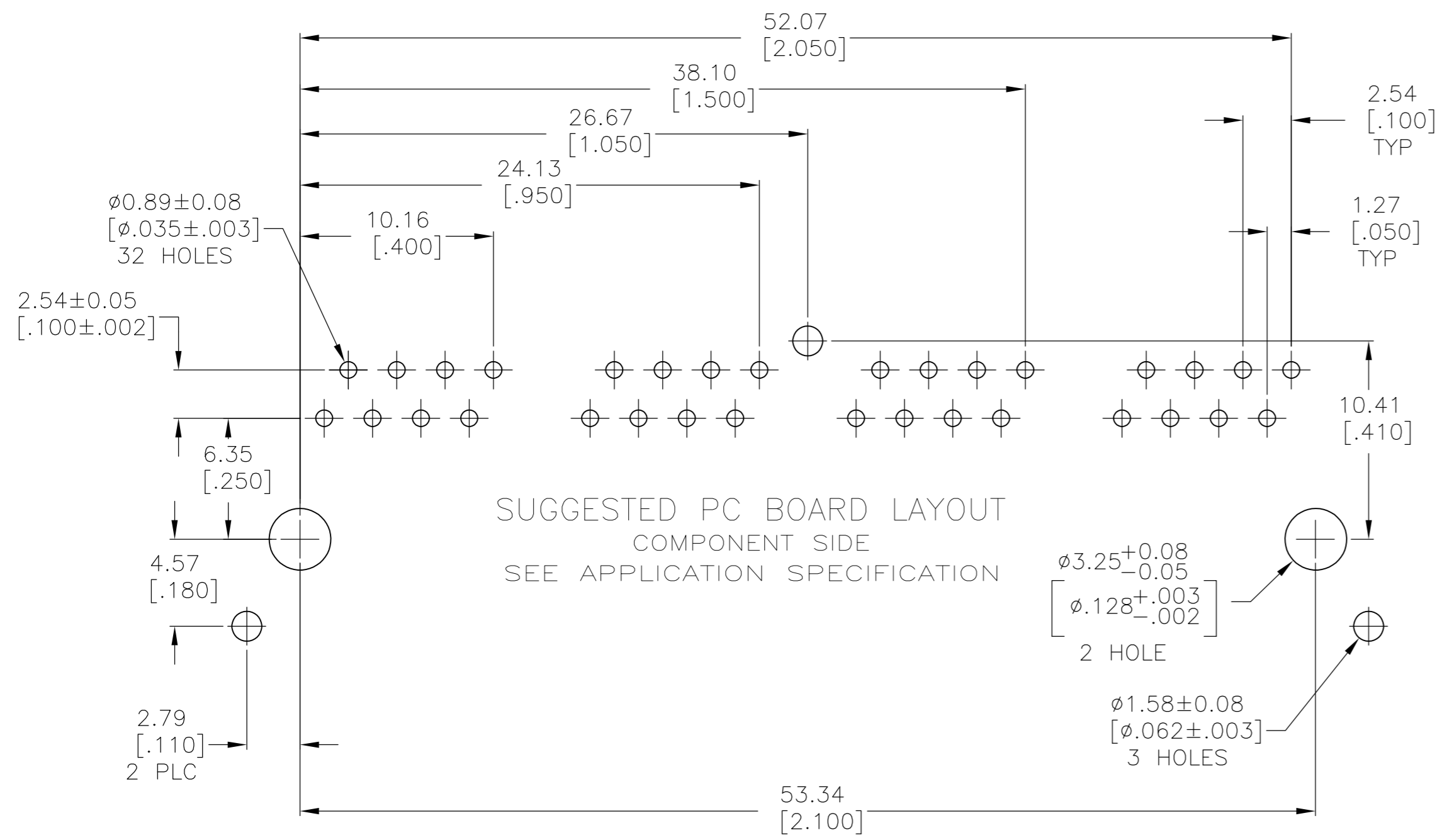
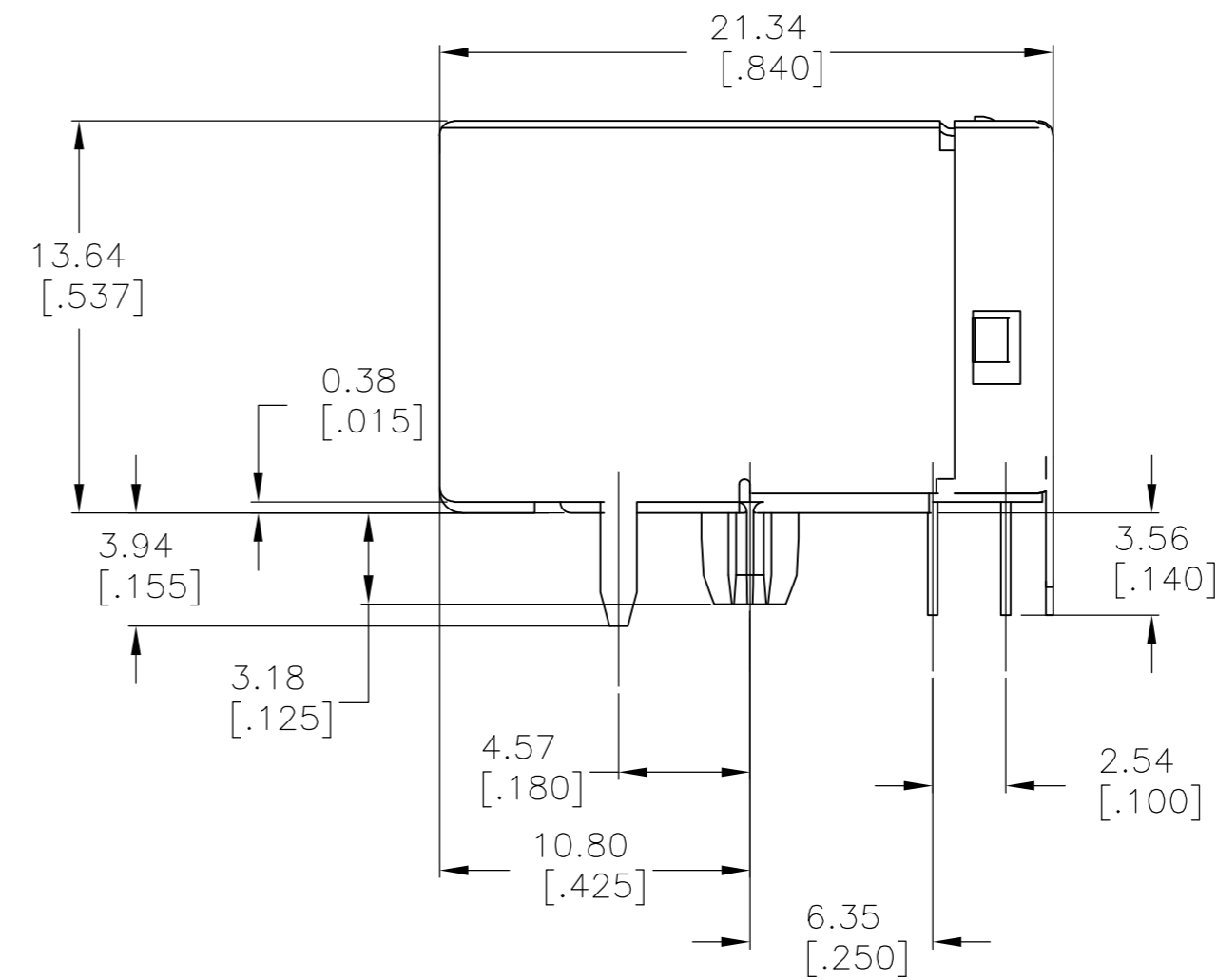
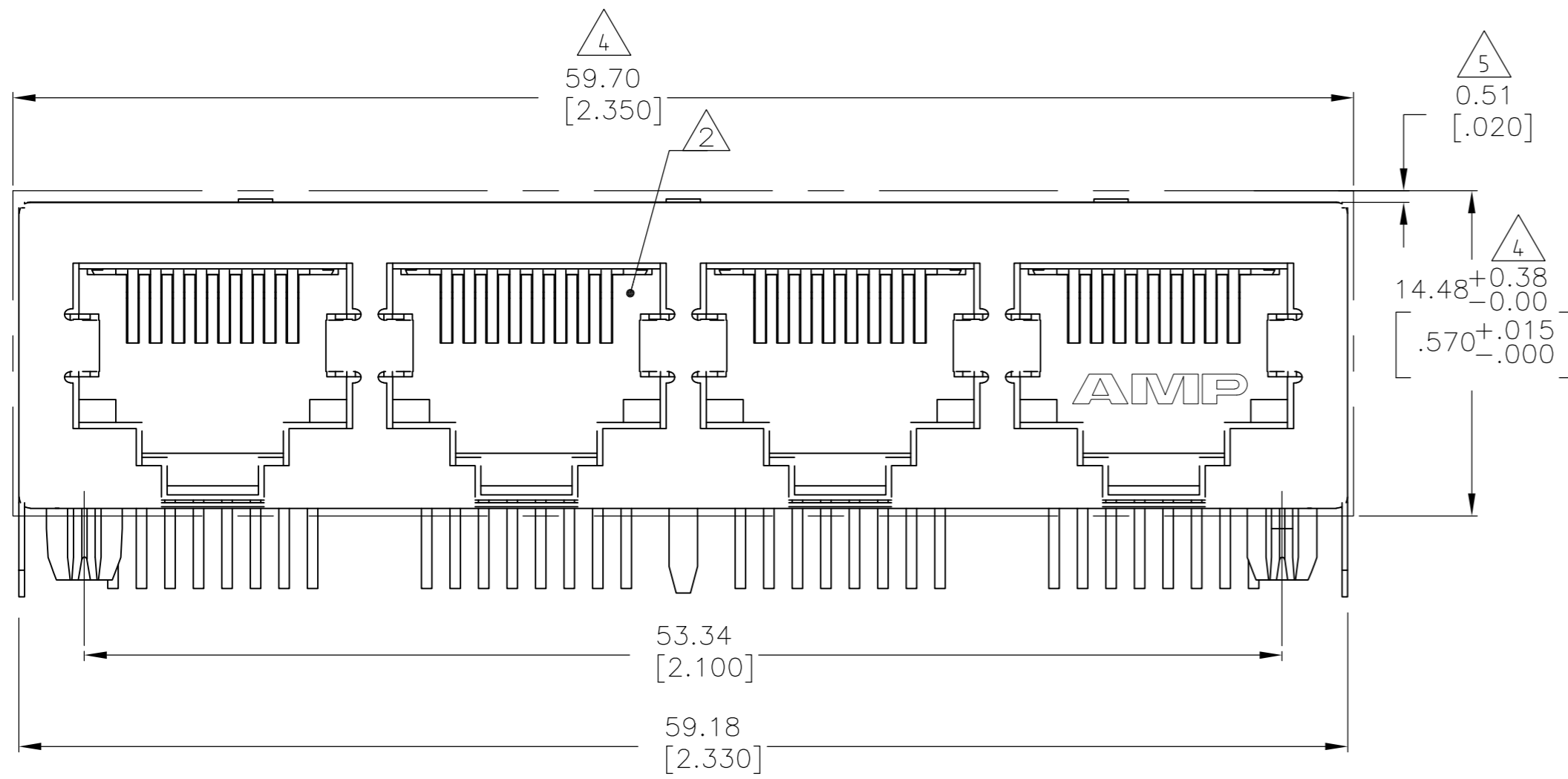


REVISIONS				
P	LTR	DESCRIPTION	DATE	APVD
E		ECO-16-005833	15APR2016	LL SH



SUGGESTED PC BOARD LAYOUT  
 COMPONENT SIDE  
 SEE APPLICATION SPECIFICATION



- MATERIAL: HOUSING- HIGH TEMPERATURE NYLON, BLACK, IR COMPATIBLE, UL 94V-0.  
 TERMINALS - 0.33[.013] THICK PHOS BRONZE PLATED WITH 1.27um[.000050] MINIMUM HARD GOLD IN LOCALIZED AREA AND 3.81um[.000150] MINIMUM TIN IN SOLDER AREA OVER 1.27um[.000050] MINIMUM NICKEL UNDERPLATE

SHIELDS - 0.25 [.010] THICK COPPER ALLOY PLATED WITH 1.27 um [.000050] MINIMUM NICKEL AND 2.03 um [.000080] MINIMUM HOT TIN DIP ON PCB GROUND TABS.

- △ JACK CAVITY CONFORMS TO FCC RULES AND REGULATIONS, PART 68 SUBPART F.
- △ CAUTION: CATEGORY 5E JACK SOLDER TAIL POSITIONS DO NOT FOLLOW SAME NUMBER SEQUENCE AS THAT OF THE TRADITIONAL JACKS.
- △ SUGGESTED PANEL OPENING DIMENSIONS
- △ SUGGESTED CLEARANCE BETWEEN TOP OF CONNECTOR AND TOP PANEL OPENING

5558503-1  
 PART NUMBER

THIS DRAWING IS A CONTROLLED DOCUMENT.		DWN W. LONG/L.A.MAYER 04NOV2006		
DIMENSIONS: mm [INCHES]		CHK J.WESTMAN 04NOV2006		
TOLERANCES UNLESS OTHERWISE SPECIFIED:		APVD S.FLICKINGER 04NOV2006	NAME MOD JACK ASSY, 4P, 8 POSN, RT, CAT 5E, PCB GND SHLD	
0 PLC ± -		PRODUCT SPEC 108-1163-2	SIZE A2	
1 PLC ± -		APPLICATION SPEC 114-2048	CAGE CODE 00779	DRAWING NO C=5558503
2 PLC ± 0.25 [.010]		WEIGHT 0	SCALE 4:1	SHEET 1 OF 1
3 PLC ± -		CUSTOMER DRAWING	RESTRICTED TO -	REV E
4 PLC ± -				
ANGLES ± -				
FINISH SEE NOTE 1				

5558503

A

单击下面可查看定价，库存，交付和生命周期等信息

[>>TE Connectivity\(泰科\)](#)