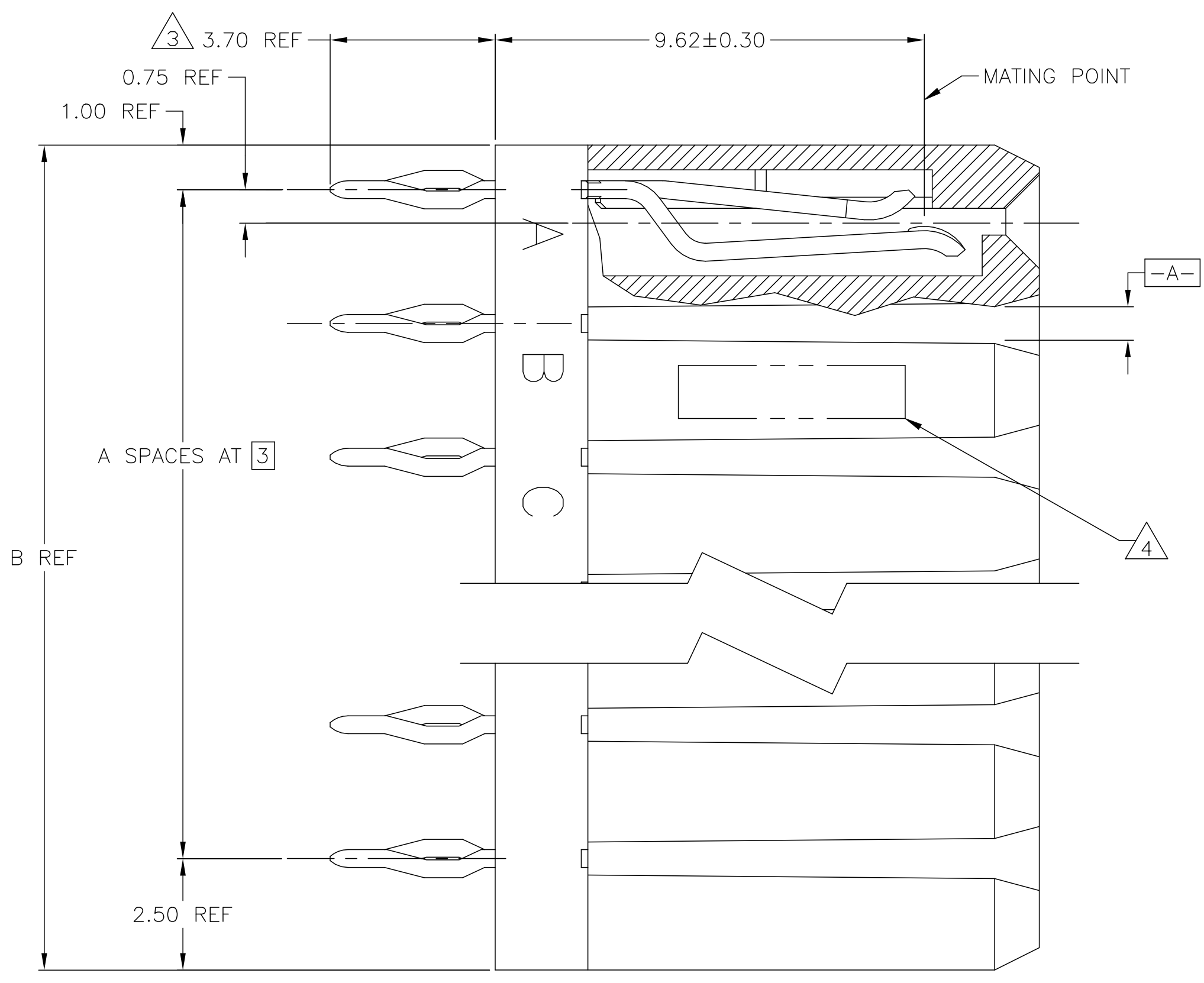
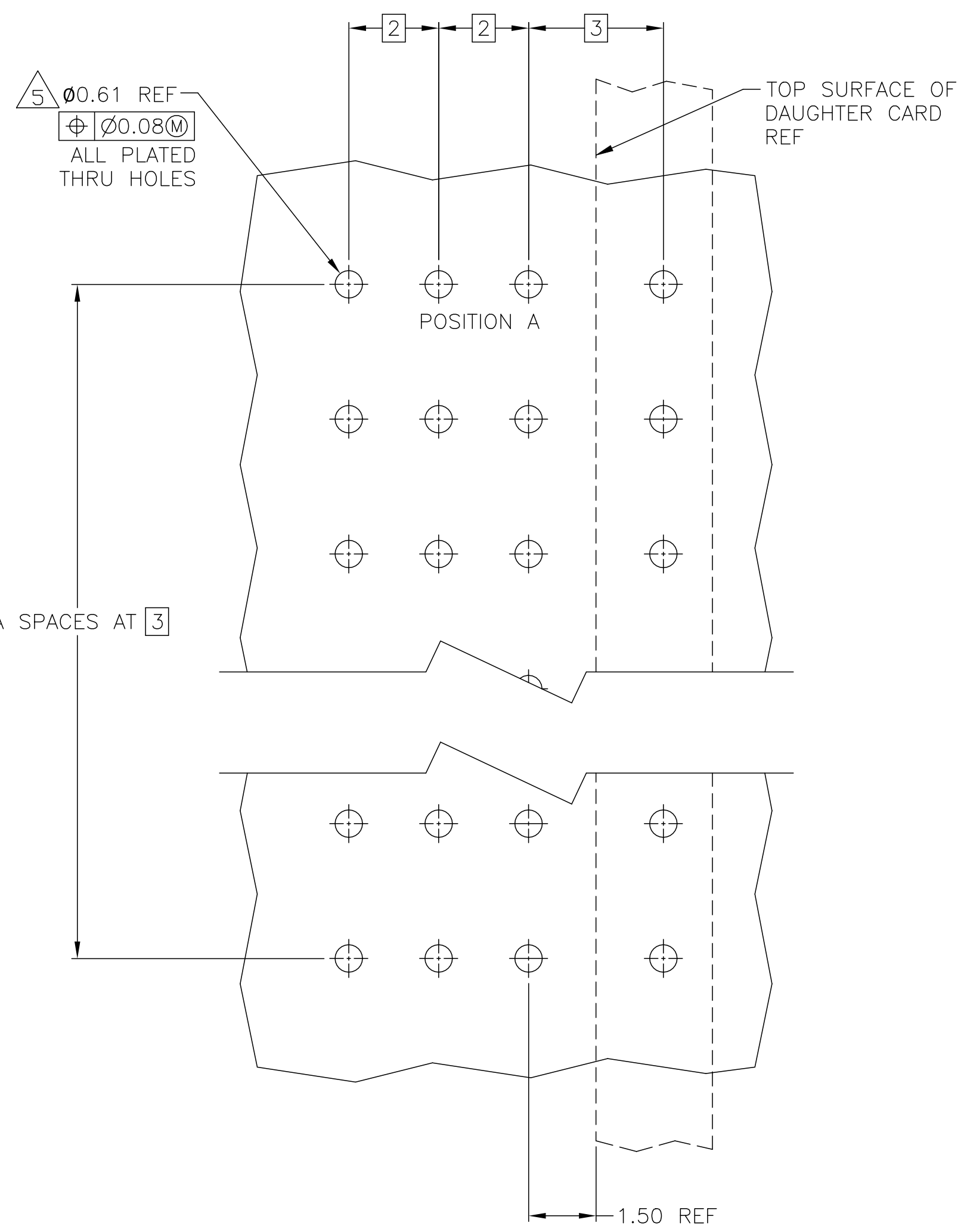
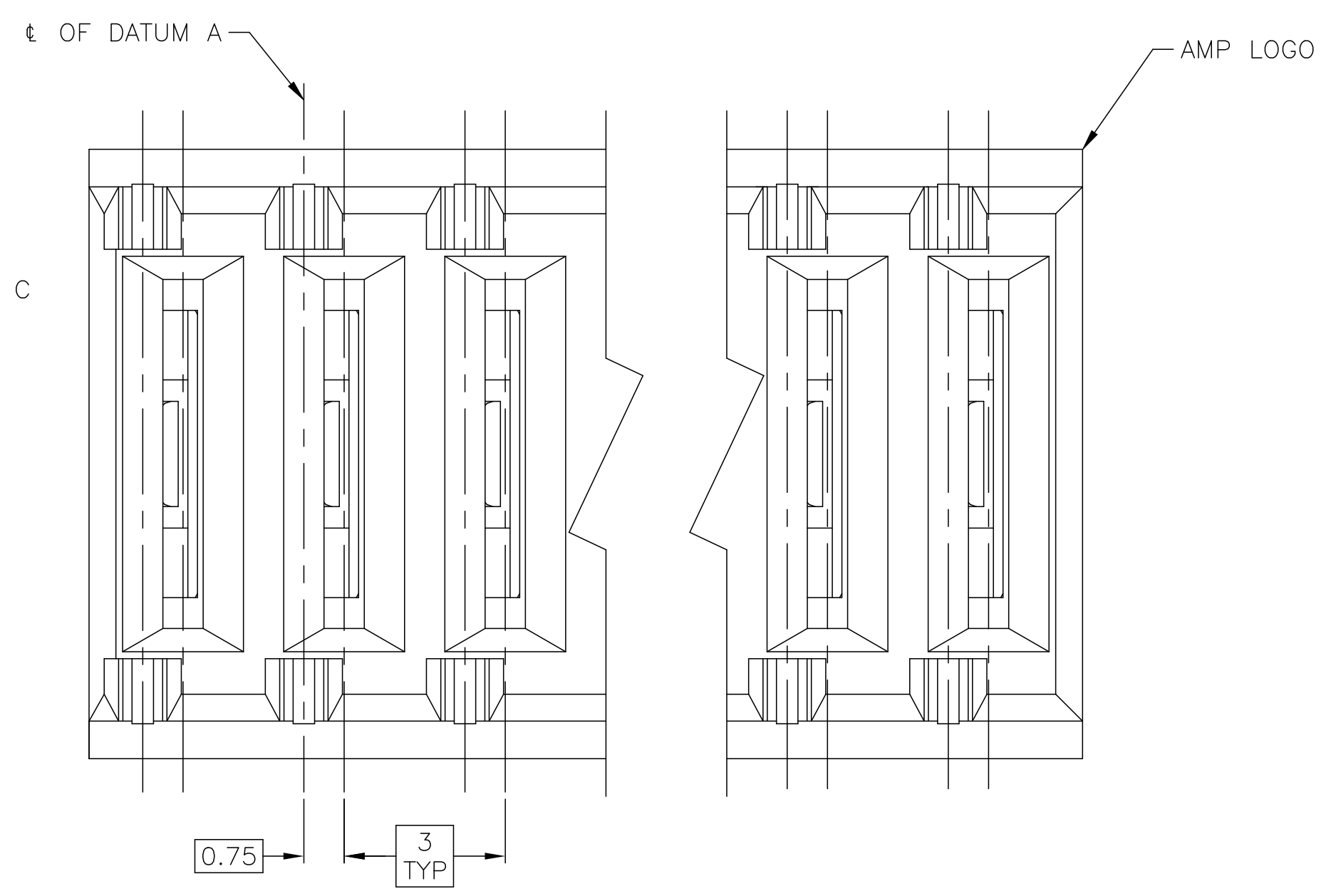
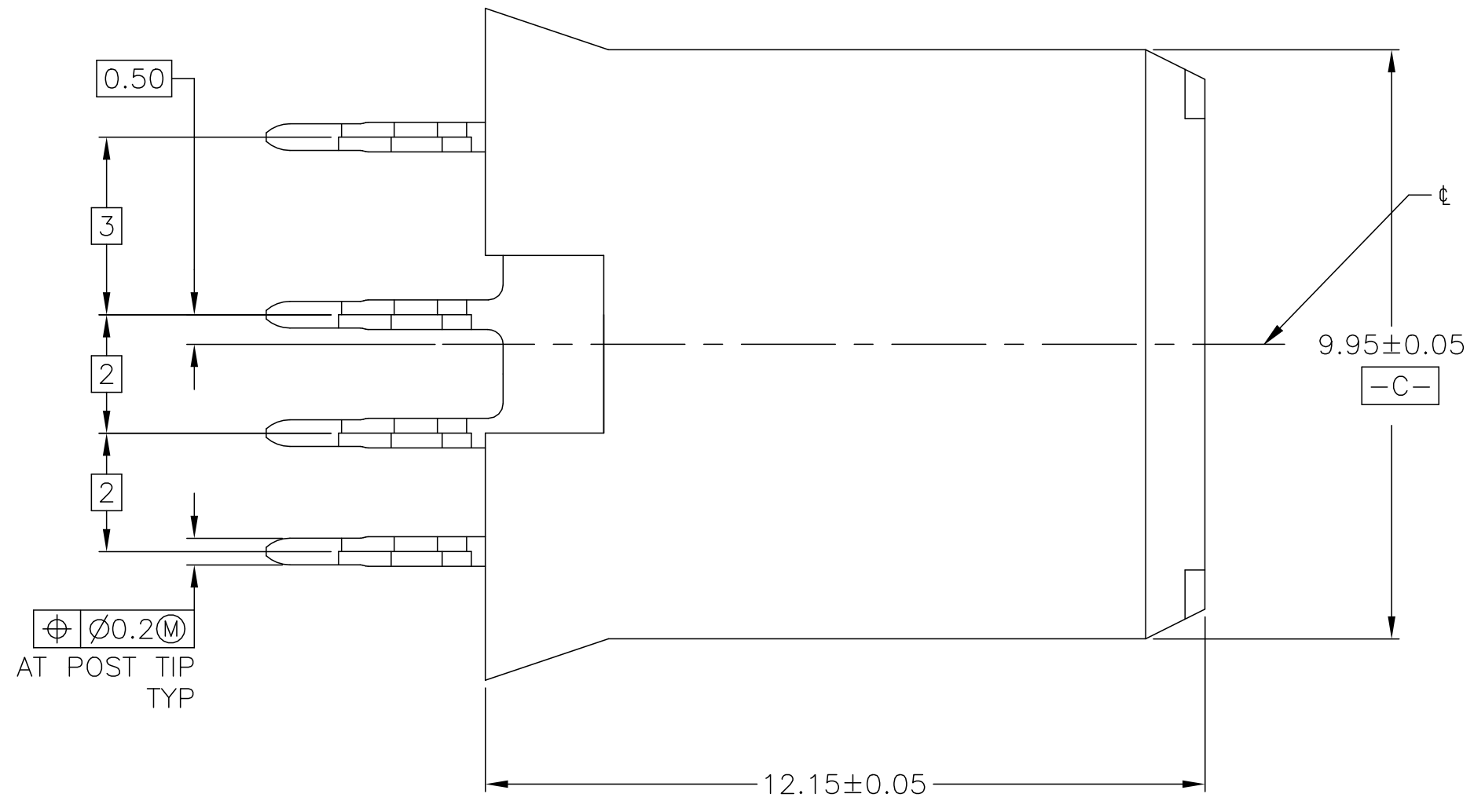
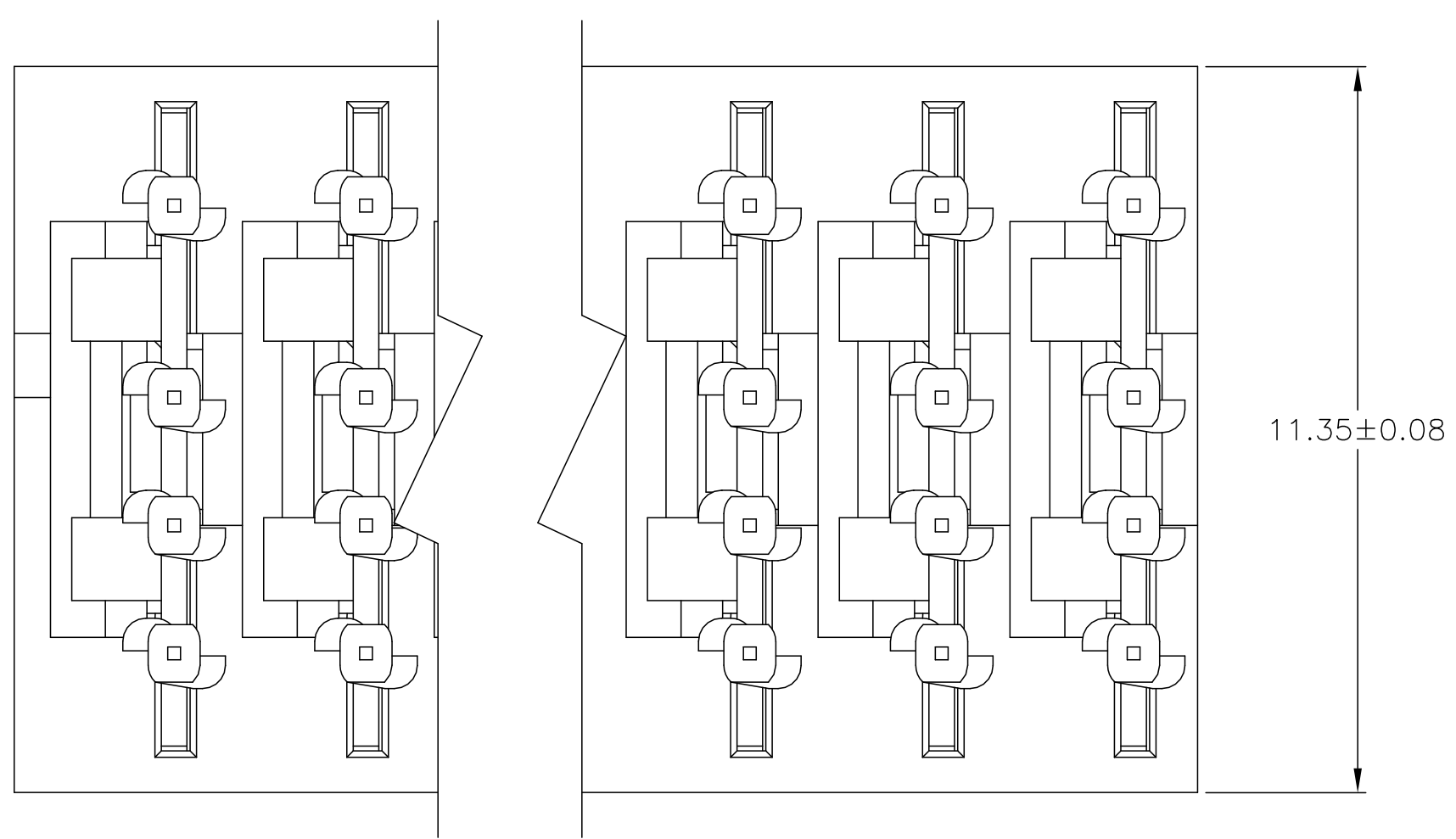


- 1 MATERIAL: HOUSING : POLYESTER, GRAY. UL 94V-0.  
CONTACT: HIGH CURRENT COPPER ALLOY.
- 2 FINISH: IN ACCORDANCE WITH PRODUCT SPECIFICATION 108-1651,  
GOLD PLATING OR EQUIVALENT PLATING ON PRODUCT CONTACT MATING AREA,  
AND MATTE TIN PLATING ON COMPLIANT PIN AREA, ALL OVER MATTE NICKEL  
UNDERPLATED. DETAIL PLEASE REFER TO PRODUCT SPECIFICATION 108-1651.
- 3 TOLERANCE TO BE  $\pm 0.28$  AFTER CONNECTOR IS APPLIED TO PC BOARD.
- 4 DATE CODE THIS APPROXIMATE AREA, OPPOSITE SIDE.
- 5 REFERENCE APPLICATION SPEC 114-1103 FOR RECOMMENDED  
PLATED THRU HOLE DIAMETER AND PLATING THICKNESS.
- 6. CURRENT RATING 16A/CONTACT PER PRODUCT SPEC 108-1651.
- 7 FINISH: CONTACT LUBRICATION WITH BELLCORE APPROVED LUBRICANT.  
TECHNICAL REFERENCE: GR-1217-CORE ISSUE 1, NOVEMBER 1995.

LOC		DIST		REVISIONS			
P	LTR	DESCRIPTION	DATE	OWN	APVD		
B3		REVISED PER ECO-20-004668	08MAY2020	ML	SZ		



NOTE	PLATING	POSITION	B REF	A	PART NUMBER
NOTE 2	12	36.5	11	120953-9	
NOTE 2	11	33.5	10	120953-8	
NOTE 2	10	30.5	9	120953-7	
NOTE 2	9	27.5	8	120953-6	
NOTE 2	8	24.5	7	120953-5	
NOTE 2	7	21.5	6	120953-4	
NOTE 2	6	18.5	5	120953-3	
NOTE 2	5	15.5	4	120953-2	
NOTE 2	4	12.5	3	120953-1	

THIS DRAWING IS A CONTROLLED DOCUMENT.

DMN: B. CARBO 130CT04  
CHK: R. PATTERSON 130CT04  
APPD: R. PATTERSON 130CT04

TE Connectivity

VERTICAL RECEPTACLE ASSEMBLY  
UNIVERSAL POWER MODULE HC

PRODUCT SPEC: 108-1651  
APPLICATION SPEC: 114-1103

SIZE: A1 00779 C=120953  
SCALE: 10:1 SHEET 1 OF 1 REV B3

RECOMMENDED PCB HOLE LAYOUT

单击下面可查看定价，库存，交付和生命周期等信息

[>>TE Connectivity\(泰科\)](#)