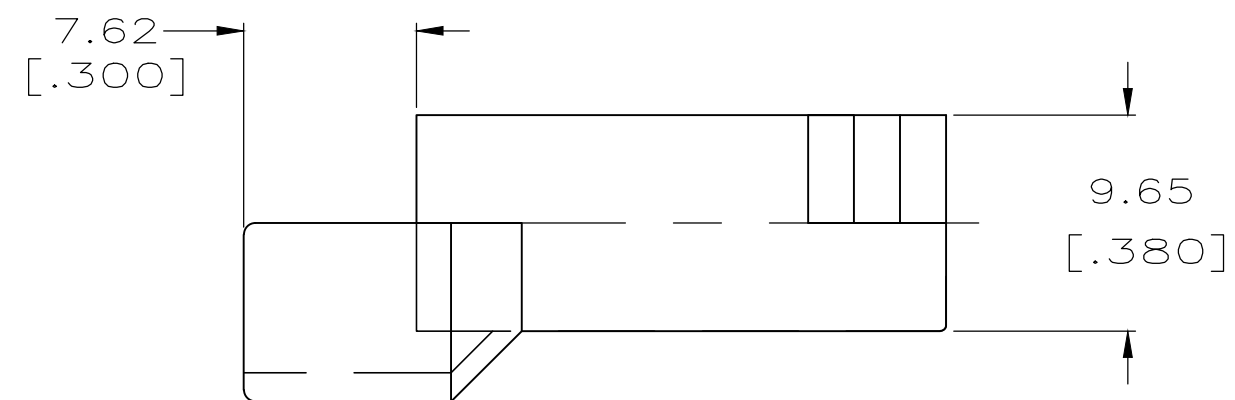
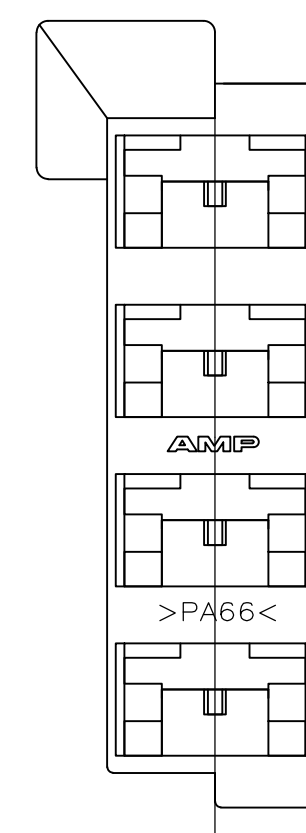
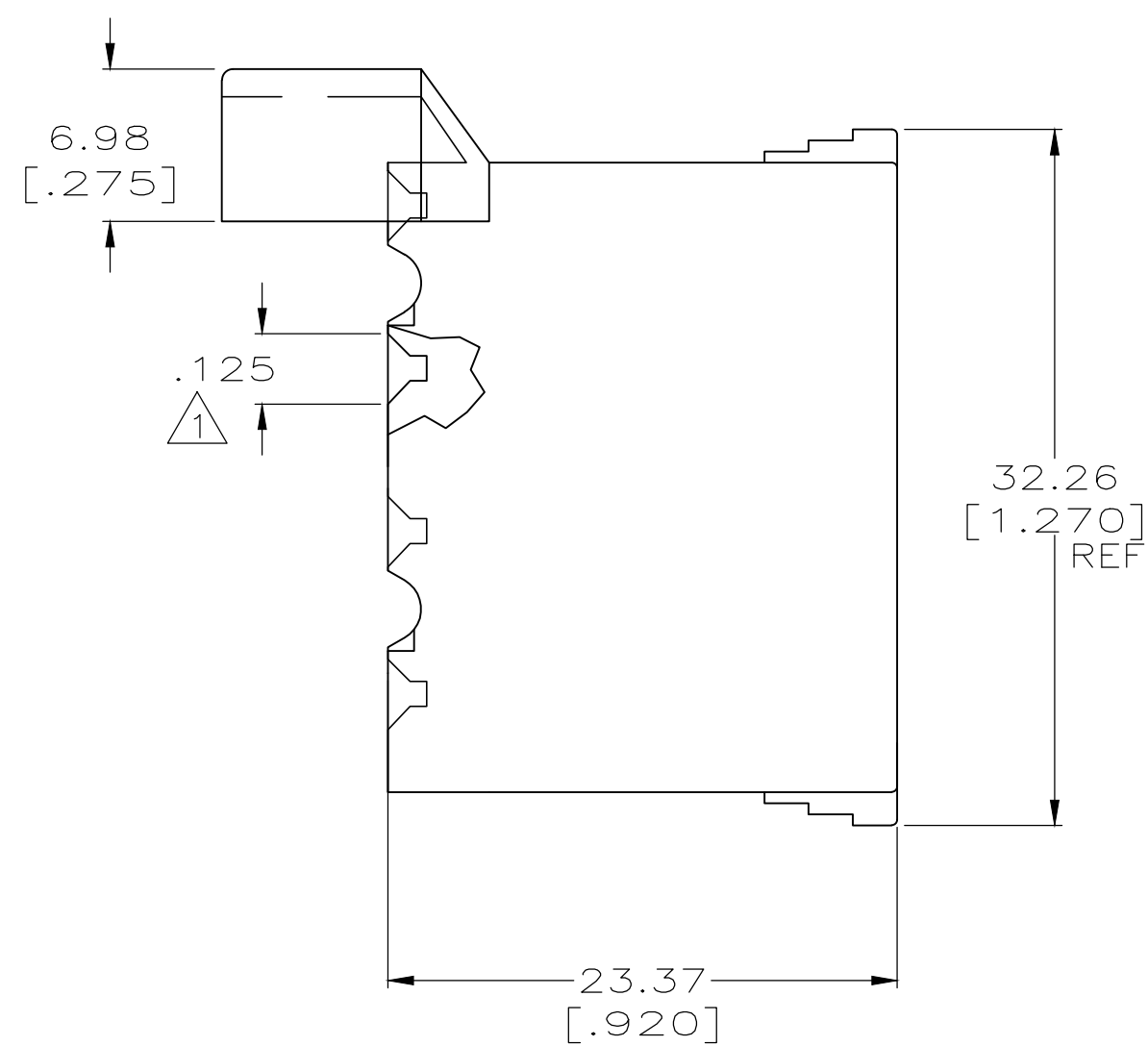
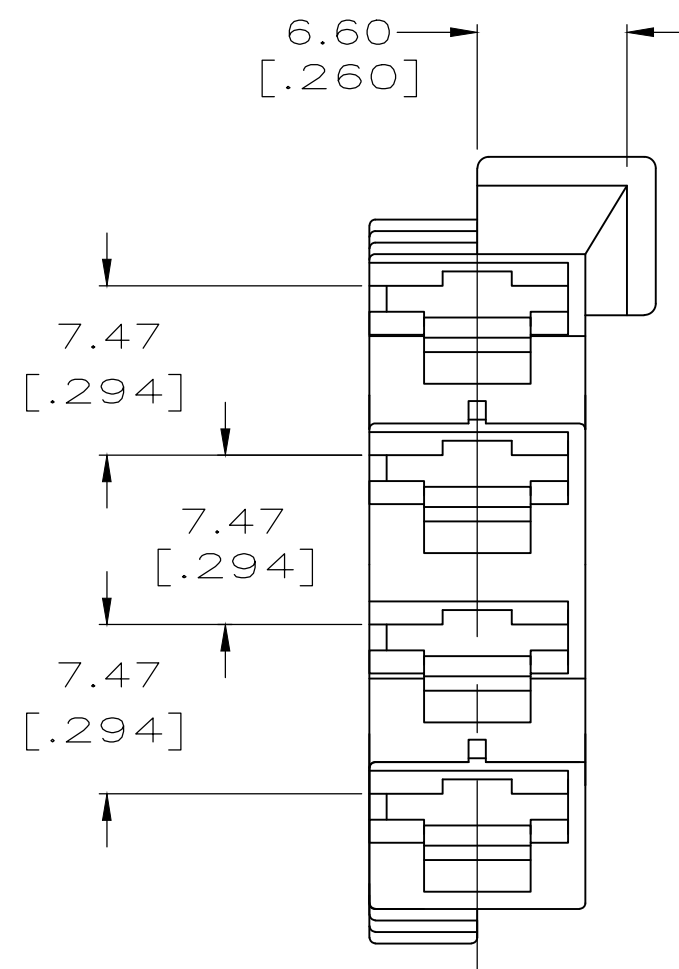


THIS DRAWING IS UNPUBLISHED. RELEASED FOR PUBLICATION
 © COPYRIGHT - TE Connectivity Ltd. ALL RIGHTS RESERVED.

REVISIONS					
P	LTR	DESCRIPTION	DATE	DWN	APVD
A2		REVISED PER ECR-19-010235	07AUG2019	BDA	DS



- 1 TOTAL LEAD-IN FOR MATING TAB.
- 2 PREPRODUCTION ONLY, AGENCY APPROVAL IS PENDING.



NYLON V0	1969136-2	2
NYLON V2	1969136-1	
MATERIAL	PART NUMBER	

THIS DRAWING IS A CONTROLLED DOCUMENT.		DWN	JR RUTH	21MAY07		TE Connectivity									
DIMENSIONS: INCHES		CHK	MS FEHER	21MAY07		NAME									
TOLERANCES UNLESS OTHERWISE SPECIFIED:		APVD	P DESANTIS	21MAY07		HOUSING, RECEPTACLE, FASTON, 6.35 [.250] SERIES									
0 PLC ± - 1 PLC ± - 2 PLC ± 0.25 [.010] 3 PLC ± - 4 PLC ± - ANGLES ± -		PRODUCT SPEC	-			SIZE	CAGE CODE	DRAWING NO	RESTRICTED TO						
MATERIAL: 6/6 NYLON		FINISH	NATURAL		WEIGHT	-		A2 00779	C=1969136	SCALE	4:1	SHEET	1 OF 1	REV	A2
CUSTOMER DRAWING															

单击下面可查看定价，库存，交付和生命周期等信息

[>>TE Connectivity\(泰科\)](#)