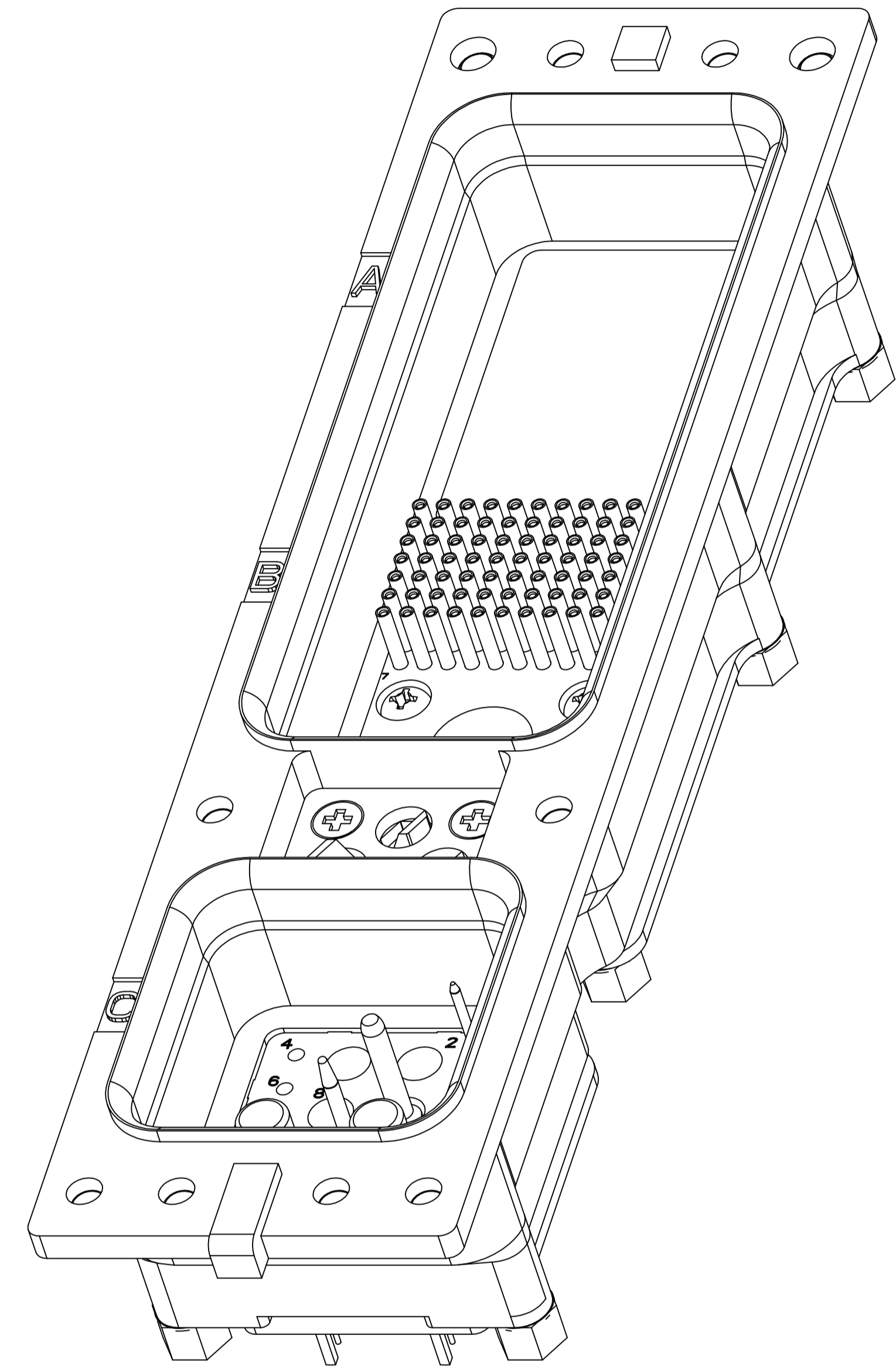


| REVISIONS |     |                       |        |            |
|-----------|-----|-----------------------|--------|------------|
| P         | LTR | DESCRIPTION           | DATE   | OWN / APVD |
| F         |     | REV PER ECO 16-007766 | 6-7-16 | CT / EO    |



- CONNECTOR DIMENSIONS ARE PER ARINC 600 SPECIFICATION.
  - CONNECTOR IS SUPPLIED WITH A DUST COVER INSTALLED; NOT SHOWN.
  - KEYING SHOWN IN POSITION FOR ILLUSTRATION ONLY. CONNECTORS SHIPPED WITH KEYING INSTALLED IN POSITION PER TABLE. FOR POSITION "00" KEYING HARDWARE SHIPPED UNASSEMBLED.
  - ALL CONTACTS (EXCEPT SIZE 5) NOT SHOWN IN FRONT AND REAR VIEWS FOR CLARITY.
- 5 DIMENSION TO CONTACT POST IS WITH CONTACTS FULLY SEATED TO REAR OF CONTACT CAVITIES.
- 6 THE FOLLOWING CONTACTS AND FILLER PLUGS ARE LOADED IN THIS CONNECTOR:  
 MODULE A:  
 NONE  
 MODULE B:  
 P/N 211431-4 (SIZE 22 POSTED SOCKET CONTACT; QTY = 70)  
 MODULE C:  
 P/N 1663129-8 (SIZE 12 POSTED CONTACT; QTY = 1) POSITION 7.  
 P/N 1663535-1 (POSTED SIZE 5 PIN COAX; QTY = 2) POSITIONS 12 & 13.  
 P/N 1-1663128-0 (SIZE 16 POSTED; QTY = 1) POSITION 11.  
 P/N 1663533-5 (SIZE 20 POSTED; QTY = 1) POSITION 1.  
 P/N 1663767-6 (SIZE 20 FILLER PLUG; QTY = 3) POSITIONS 4, 5 & 6.  
 P/N 1663767-7 (SIZE 16 FILLER PLUG; QTY = 2) POSITIONS 9, & 10.  
 P/N 1663767-8 (SIZE 12 FILLER PLUG; QTY = 3) POSITION 2, 3 & 8.
- 7 HARDWARE FOR SIZE 1 CONTACTS INCLUDES RETAINER PLATE, P/N 1757721-1, QTY = 1 AND SCREWS, P/N 211558-1, QTY = 4. HARDWARE IS SHOWN ASSEMBLED BUT SHIPPED UNASSEMBLED.

| COMPONENT                              | MATERIAL                                       | FINISH                             |
|--|--|------------------------------------|
| SHELL                                  | ALUMINUM ALLOY A380 PER ASTM-B-85              | ELECTROLESS NICKEL PER MIL-C-26074 |
| RETENTION PLATES                       | ALUMINUM ALLOY PER ASTM-B-209                  | ELECTROLESS NICKEL PER MIL-C-26074 |
| PAN HEAD SCREWS AND LOCKWASHERS        | STAINLESS STEEL                                | PASSIVATED                         |
| FLAT HEAD SCREWS (FOR KEYING HARDWARE) | STAINLESS STEEL                                | PASSIVATED                         |
| POLARIZING KEYS                        | ZINC ALLOY PER ASTM-B-86                       | -                                  |
| POLARIZING KEY RETAINING PLATE         | ALUMINUM ALLOY PER ASTM-B-209                  | BLUE ANODIZED PER MIL-A-8625       |
| DUMMY INSERT                           | TEFLON   | -                                  |
| 71C1 & 13C2 INSERTS                    | THERMOSET OR THERMOPLASTIC PPS PER MIL-M-24519 | -                                  |
| SIZE 1 RETAINING PLATE                 | ALUMINUM ALLOY PER ASTM-B-209                  | ELECTROLESS NICKEL PER MIL-C-26074 |
| STANDOFF                               | STAINLESS STEEL                                | PASSIVATED                         |

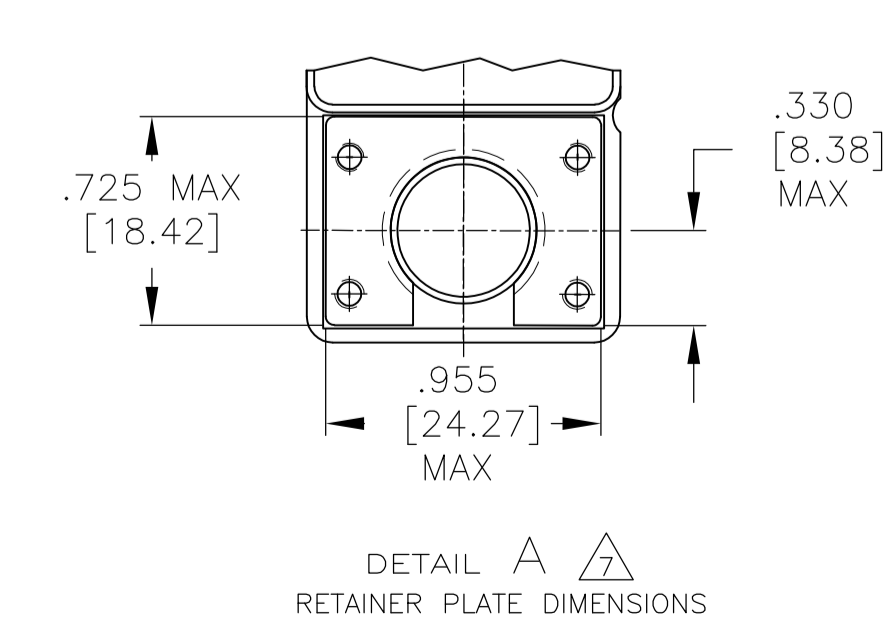
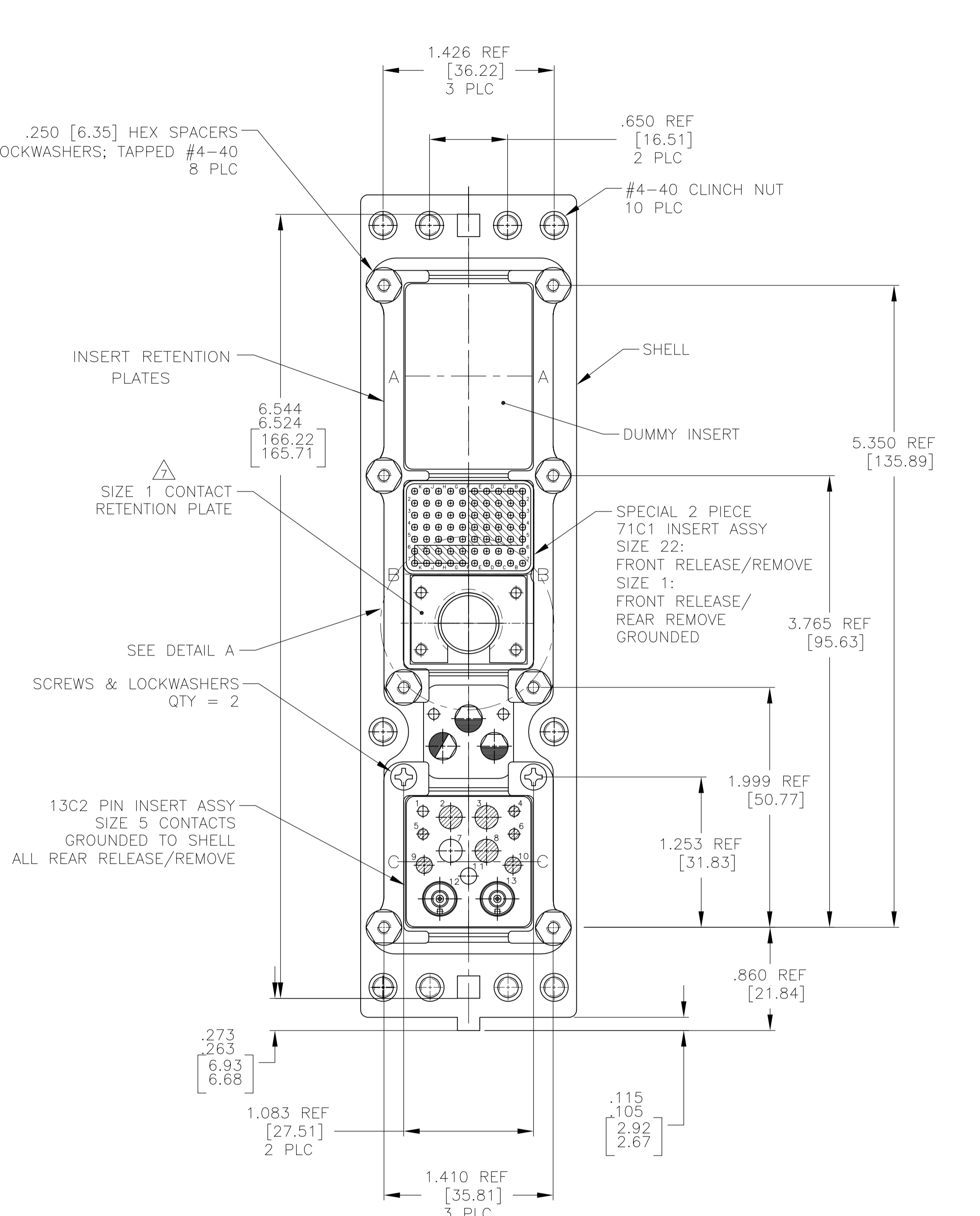
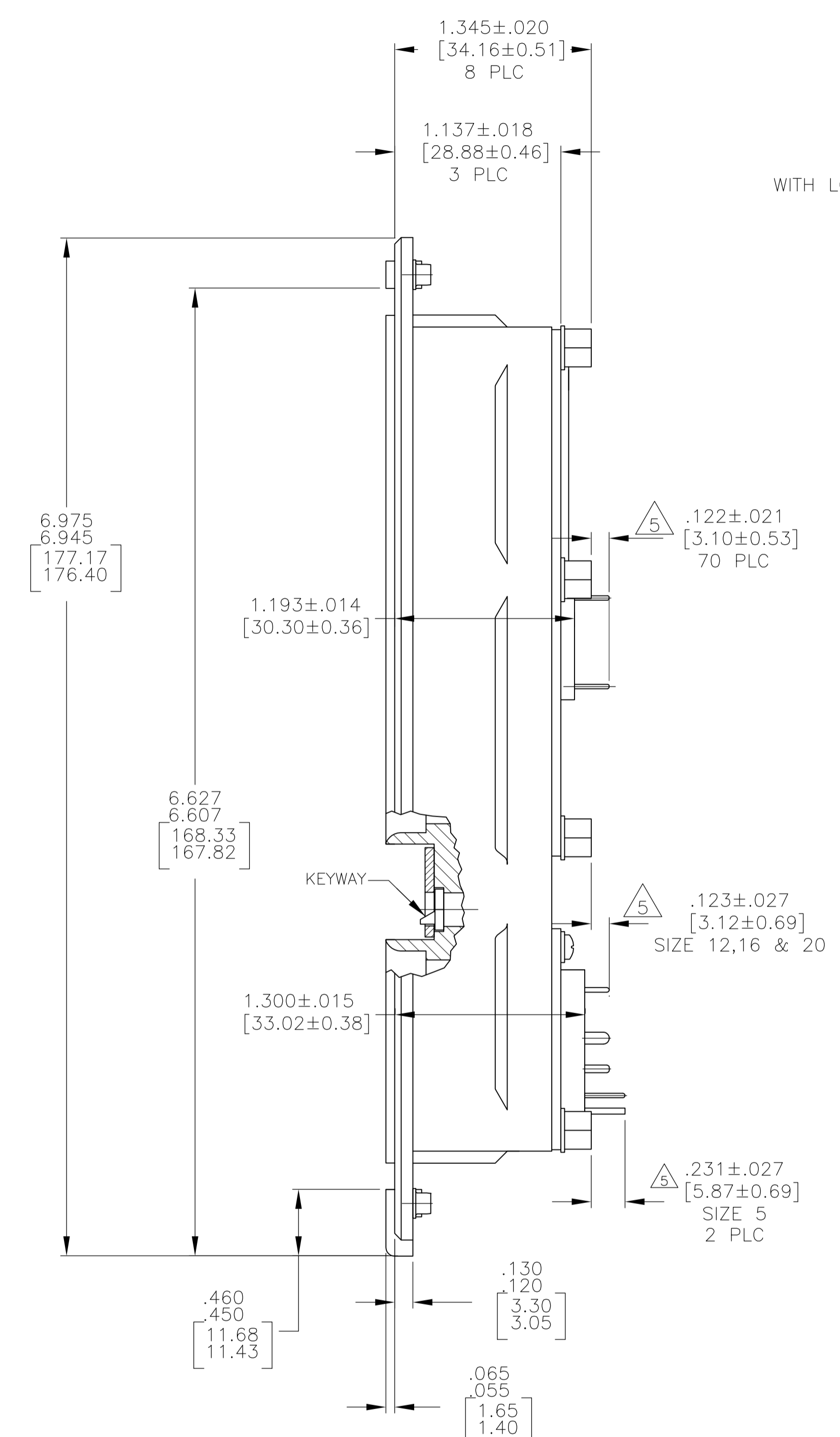
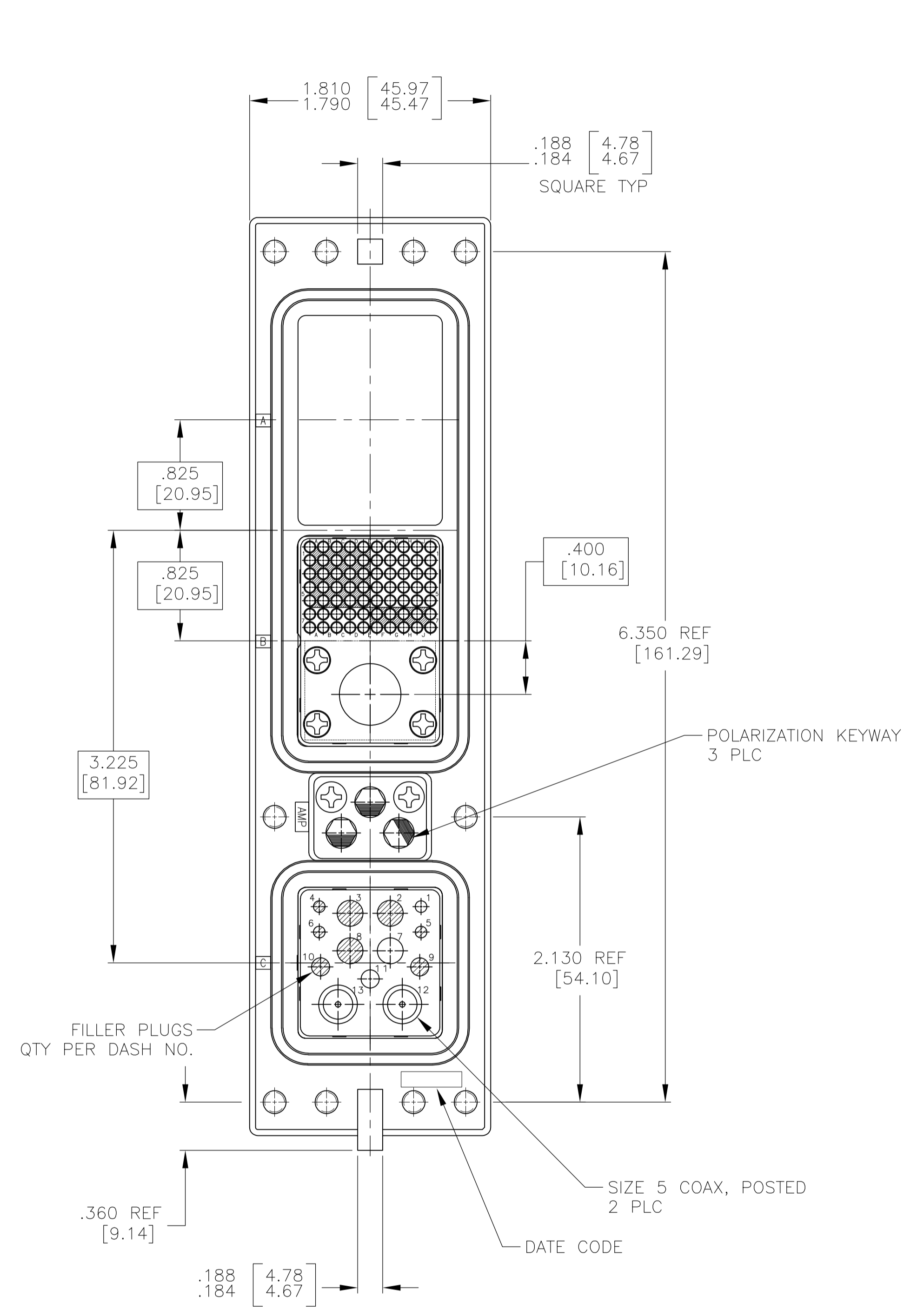
|                 |                                 |             |
|-----------------|---------------------------------|-------------|
| 03              | 6                               | 1757322-1   |
| KEYING POSITION | CONTACTS INCLUDED AND INSTALLED | PART NUMBER |

THIS DRAWING IS A CONTROLLED DOCUMENT.

|                         |  |                       |                     |   |
|-------------------------|--|-----------------------|---------------------|---|
| DIMENSIONS: INCHES [mm] | TOLERANCES UNLESS OTHERWISE SPECIFIED: | DIN C.C.THOMAS 9-6-04 | APVD K.HOGAN 9-6-04 | NAME RCPT ASSY, SIZE 2, ARINC 600 (BLANK/71C1/13C2) |
| 0. PLC ± -              | 1. PLC ± -                             | 2. PLC ± -            | 3. PLC ± -          | 4. PLC ± -  |
| ANGLES ± -              |  |                       |                     |   |
| MATERIAL SEE TABLE      | FINISH SEE TABLE                       | WEIGHT 0              | SIZE A1             | CAGE CODE 00779                                     |
| CUSTOMER DRAWING        |  | SCALE 3:2             | SHEET 1 OF 2        | REV F   |

STE TE Connectivity

| REVISIONS |     |             |      |      |
|-----------|-----|-------------|------|------|
| P         | LTR | DESCRIPTION | DATE | APPD |
| -         | -   | SEE SHEET 1 | -    | -    |



|  |                     |                       |   |
|--|---------------------|-----------------------|---|
| THIS DRAWING IS A CONTROLLED DOCUMENT. |                     | DIN C.C.THOMAS 9-6-04 | TE Connectivity                                     |
| DIMENSIONS: INCHES [mm]                |                     | CHK K.HOGAN 9-6-04    |   |
| TOLERANCES UNLESS OTHERWISE SPECIFIED: |                     | APPD K.HOGAN 9-6-04   | NAME RCPT ASSY, SIZE 2, ARINC 600 (BLANK/71C1/13C2) |
| 0 PLC ± -                              | 1 PLC ± -           | PRODUCT SPEC          | APPLICATION SPEC                                    |
| 2 PLC ± -                              | 3 PLC ± .005 [0.13] | SIZE                  | CAGE CODE DRAWING NO.                               |
| 4 PLC ± -                              | ANGLES ± -          | WEIGHT                | RESTRICTED TO                                       |
| MATERIAL SEE TABLE                     | FINISH SEE TABLE    | CUSTOMER DRAWING      | A1 00779 C=1757322                                  |
|  |                     | SCALE 3:2             | SHEET 2 OF 2 REV F                                  |

单击下面可查看定价，库存，交付和生命周期等信息

[>>TE Connectivity\(泰科\)](#)