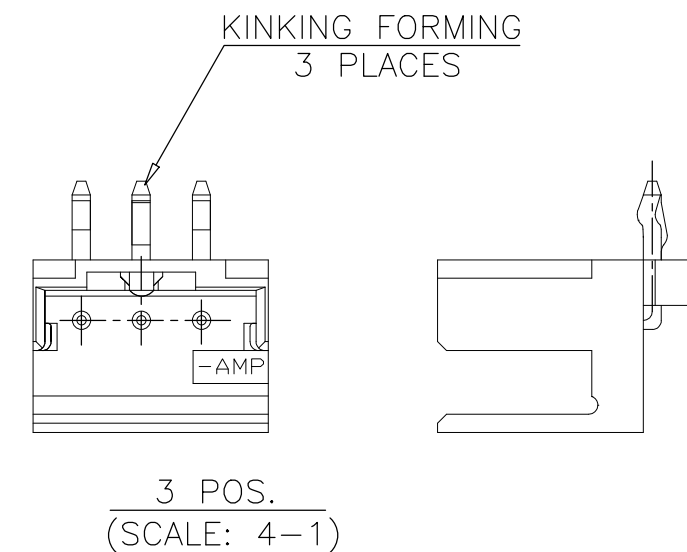
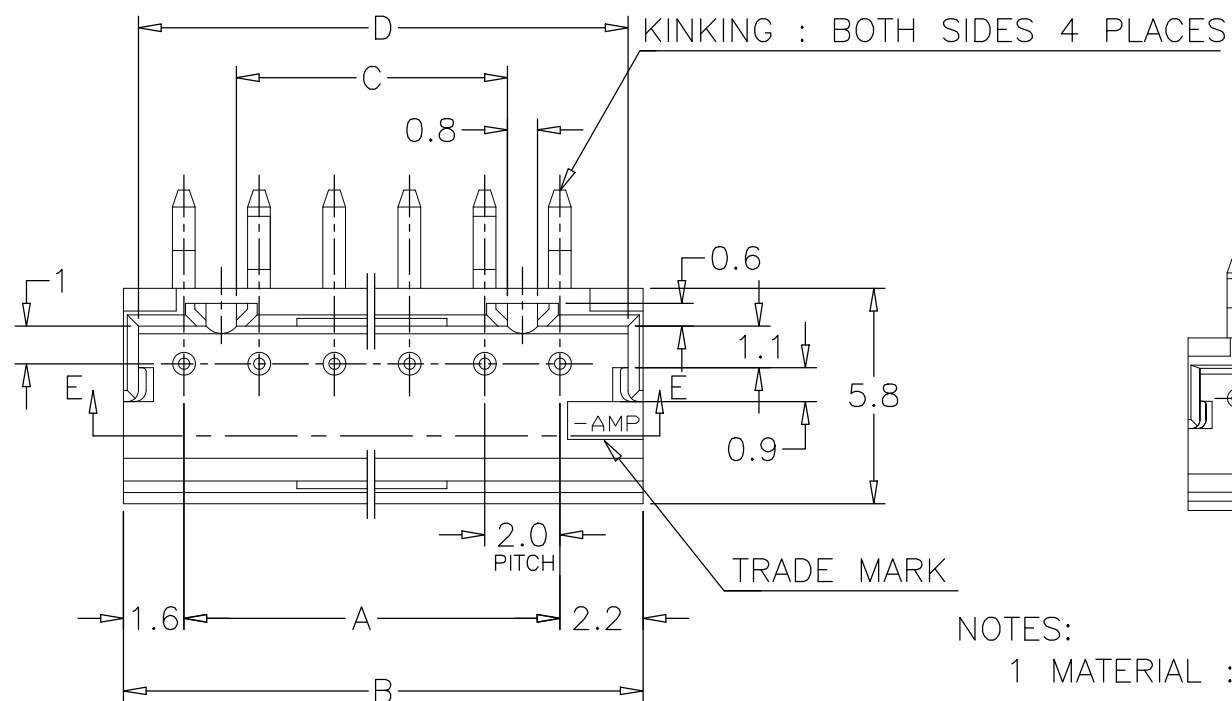
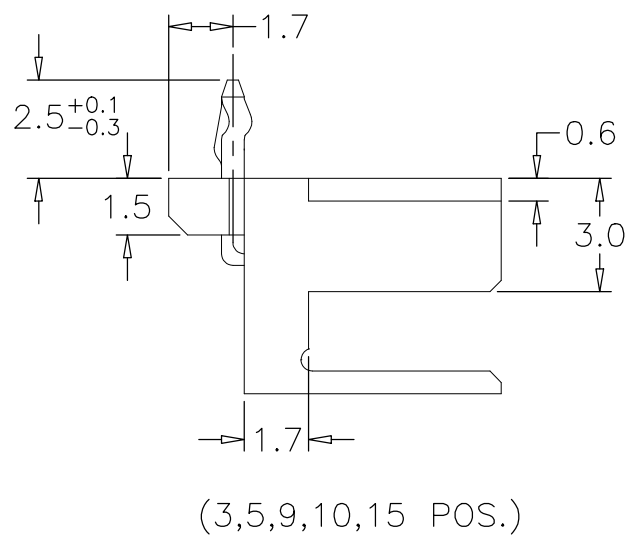
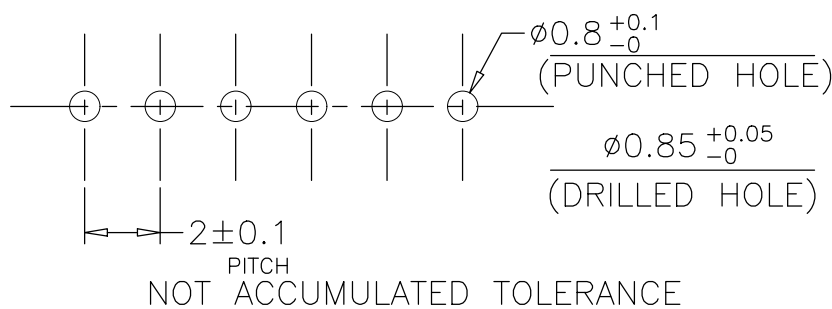
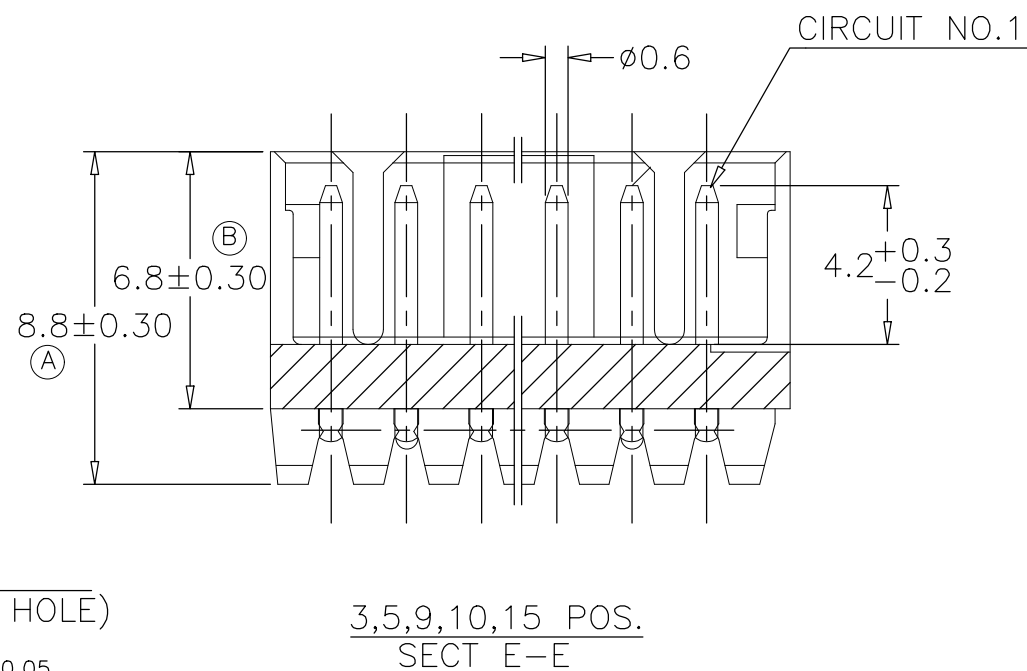


THIS DRAWING IS UNPUBLISHED. RELEASED FOR PUBLICATION
 © COPYRIGHT - TE Connectivity Ltd. ALL RIGHTS RESERVED.

P	LTR	DESCRIPTION	DATE	DWN	APVD
C1	REVISED	ECR-18-010748	11JUL18	T.Q	W.H



- NOTES:
- 1 MATERIAL : HOUSING-66 NYLON (UL94V-0)
POST-TIN BRASS
 - 2 THIS PRODUCT IS SHORT TIME OF P/N 292250
 - 3 APPLICABLE RECEPTACLE : P/N 173977



RECOMMENDABLE P.C. BOARD LAYOUT
 (PCB THK : 0.8-1.6)

TOLERANCES UNLESS OTHERWISE SPECIFIED:

10**	: ±0.2
30**>10	: ±0.25
100**>30	: ±0.3
ANGEL	: ±3°

THIS DRAWING IS A CONTROLLED DOCUMENT.

DIMENSIONS: mm	TOLERANCES UNLESS OTHERWISE SPECIFIED:
	0 PLC ± -
	1 PLC ± -
	2 PLC ± -
	3 PLC ± -
	4 PLC ± -
	ANGLES ± -
	FINISH ± -
MATERIAL SEE NOTE	SEE NOTE

DWN	S.XU	31JAN03
CHK	S.YAO	31JAN03
APVD	T.SASAKI	31JAN03
PRODUCT SPEC	108-60016	
APPLICATION SPEC	-	
WEIGHT	-	

TE Connectivity		NAME			
		POST HEADER ASS'Y (BOX-H TYPE) (AMP CT CONNECTOR 2mm PITCH)			
SIZE	CAGE CODE	DRAWING NO	RESTRICTED TO		
A3	00779	C-292130	-		
CUSTOMER DRAWING		SCALE	SHEET	REV	
		5:1	1 OF 1	C1	

COLOR	P/N	POS.	A	B	C	D	
BLACK	6-292130-3	3	4	7.8	-	7.0	
YELLOW	4-292130-3	3	4	7.8	-	7.0	
NATURAL	1-292130-5	15	28	31.8	25.2	31.0	
		10	18	21.8	15.2	21.0	
		-9	9	16	19.8	13.2	19.0
		-6	6	10	13.8	7.2	13
		-5	5	8	11.8	5.2	11
	292130-3	3	4	7.8	-	7.0	

单击下面可查看定价，库存，交付和生命周期等信息

[>>TE Connectivity\(泰科\)](#)