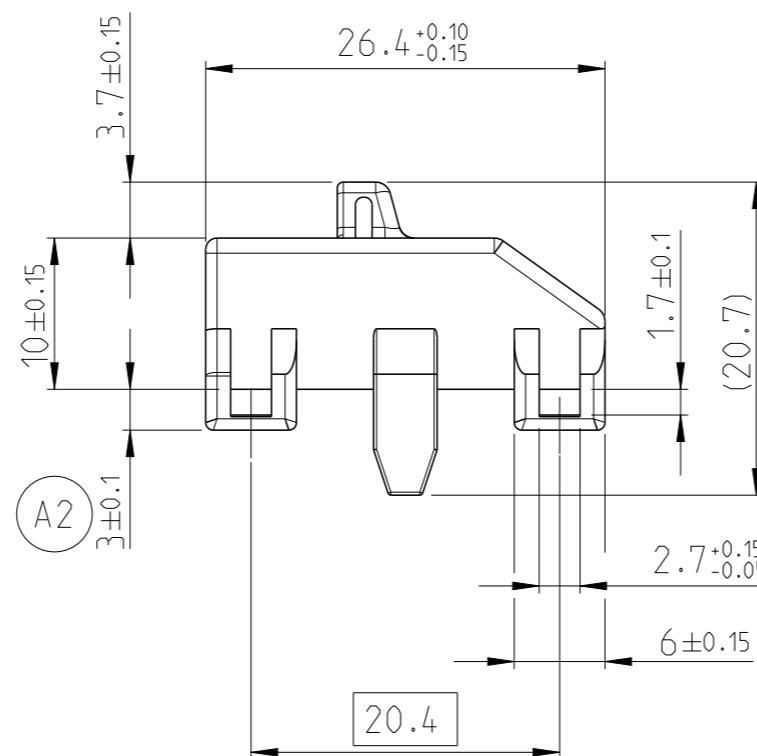
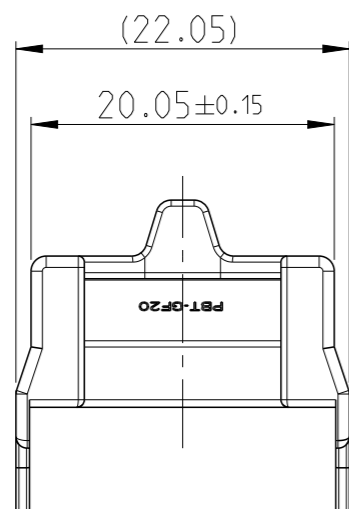
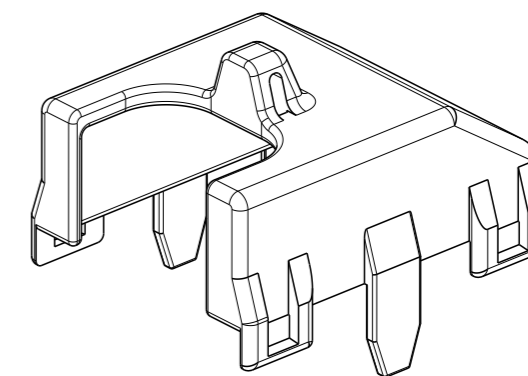
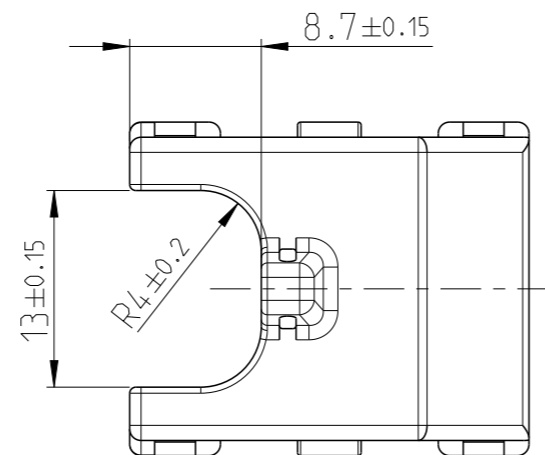


REVISIONS

| P | LTR | DESCRIPTION | DATE | DWN | APVD |
|---|-----|-----------------|-----------|-----|------|
| | A | INITIAL DRAWING | 31OCT2014 | SMS | KR |
| | A1 | ECR-14-016638 | 07NOV2014 | SMS | KR |
| | A2 | ECR-19-012817 | 14AUG2019 | RS | CW |



NOTE:

- 1. COLOUR: BLACK (RAL9005)
- 2. MATED WITH PLUG ASSEMBLY:

| |
|-------------|
| 2-1419158-1 |
| 2-1419158-0 |
| 1-1419158-9 |
| 1-1419158-8 |
| 2-1419158-2 |

THIS DRAWING IS A CONTROLLED DOCUMENT.

DWN MUTHU SAMY S 31OCT2014

CHK PARUSURAM I 31OCT2014

APVD K.ROTH 31OCT2014

PRODUCT SPEC

APPLICATION SPEC

WEIGHT

CUSTOMER DRAWING



TE Connectivity

NAME 23 POS. GET, COVER, GEM

SIZE CAGE CODE DRAWING NO RESTRICTED TO

A3 - C-2-1419158-4

SCALE 5:1 SHEET 1 OF 1 REV A2

DIMENSIONS:

mm



TOLERANCES UNLESS OTHERWISE SPECIFIED:

| | |
|--------|-------|
| 0 PLC | ± |
| 1 PLC | ± |
| 2 PLC | ±0.1 |
| 3 PLC | ±0.05 |
| 4 PLC | ± |
| ANGLES | ± |

MATERIAL FM-PBT-GF20

FINISH

单击下面可查看定价，库存，交付和生命周期等信息

[>>TE Connectivity\(泰科\)](#)