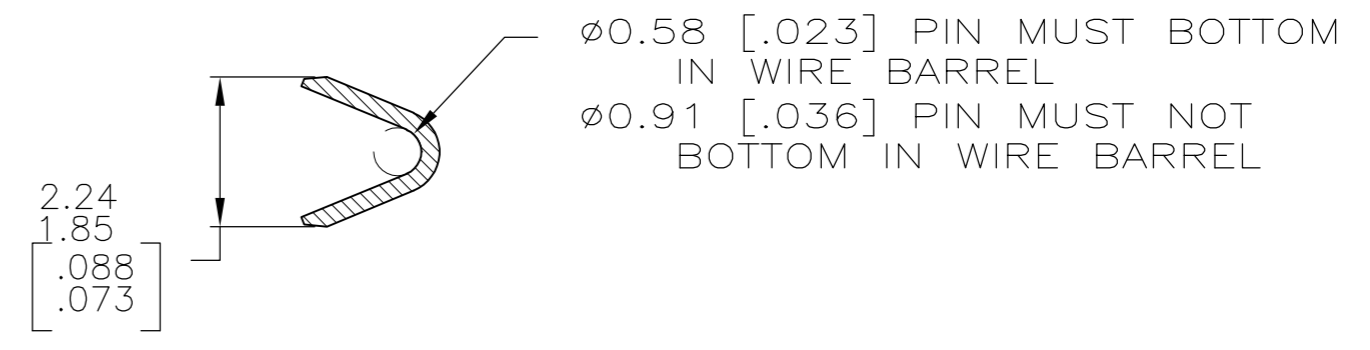
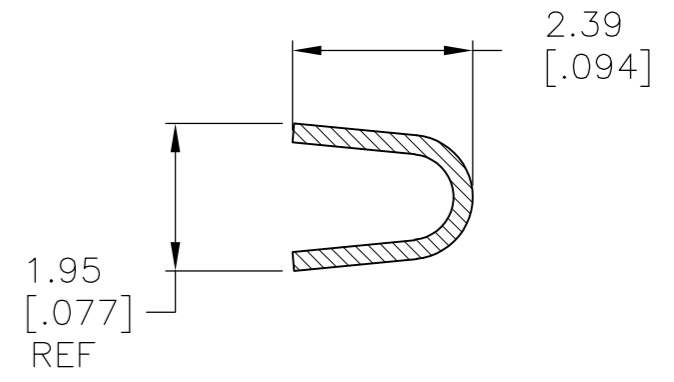
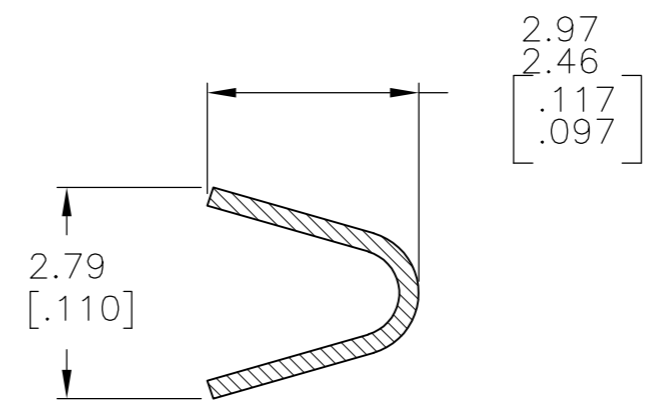
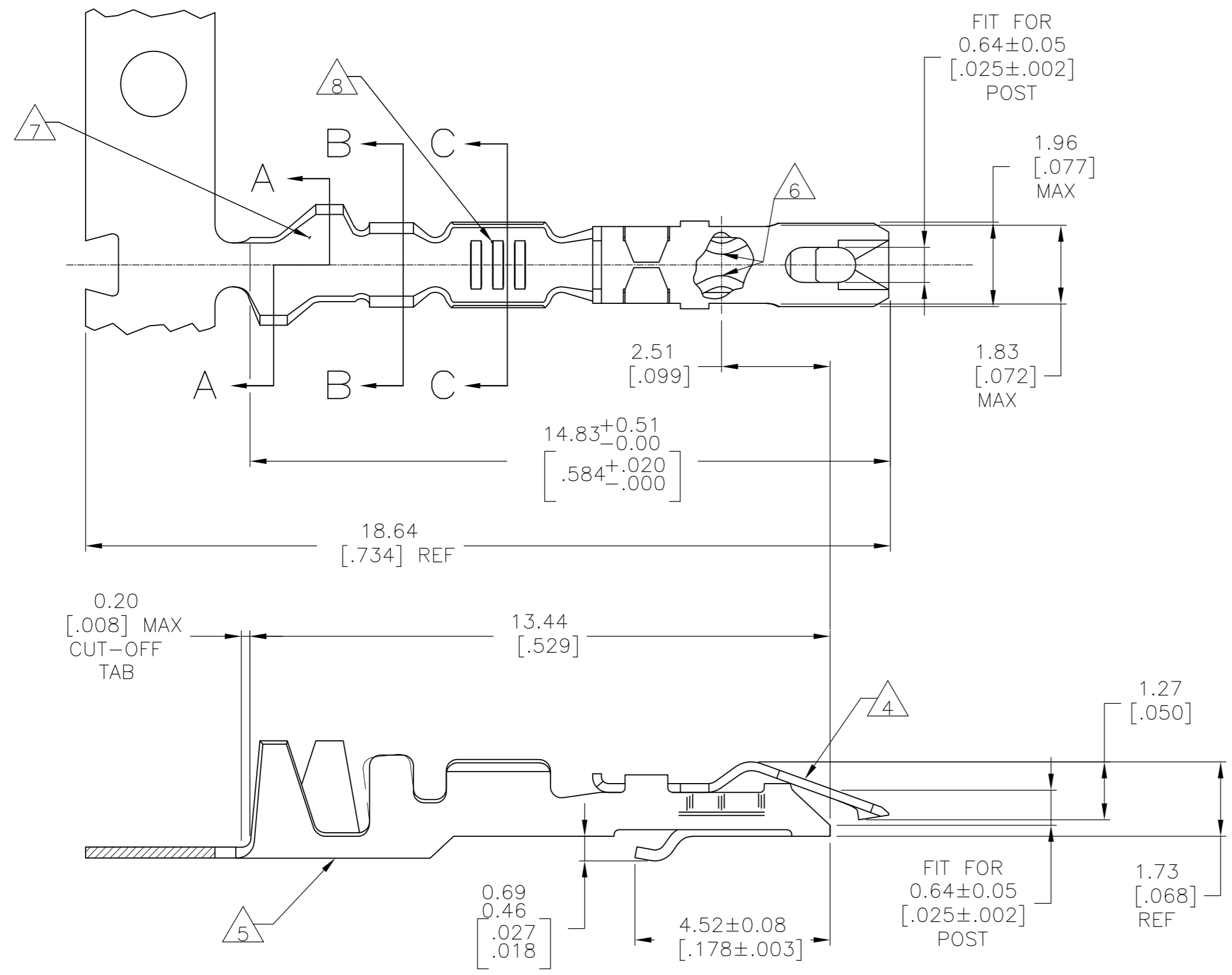


THIS DRAWING IS UNPUBLISHED. RELEASED FOR PUBLICATION
 © COPYRIGHT - By - ALL RIGHTS RESERVED.

LOC		DIST		REVISIONS			
P	LTR	DESCRIPTION	DATE	DWN	APVD		
	Z1	REVISED PER ECO-11-004917	11MAR11	RK	HMR		



1. REELED FOR MINI APPLICATOR.
- 2 PLATED WITH .00254 [.000100] TIN LEAD OVER .00127 [.000050] NICKEL ENTIRE CONTACT.
- 3 PLATED WITH .00076 [.000030] GOLD IN CONTACT AREA, GOLD FLASH ON REMAINDER, OVER .00127 [.000050] NICKEL.
- 4 SPRING MATERIAL: STAINLESS STEEL.
- 5 BODY MATERIAL: PHOSPHORUS BRONZE (SEE TABLE FOR FINISH.)
- 6 POINT OF PLATING MEASUREMENT.
- 7 INSULATION BARREL RANGE ø0.71 [.038]-ø1.57 [.062].
- 8 WIRE BARREL RANGE #20
- 9 PLATED WITH .00254 (.000100) TIN OVER .00127 (.000050) NICKEL, ENTIRE CONTACT.

SUPERSEDED BY 5-867052-1

9	5-867052-1
9	867052-3
3	867052-2
2	867052-1
FINISH	PART NUMBER

THIS DRAWING IS A CONTROLLED DOCUMENT.		DWN	E.BRANDBERG	17-1-93	TE Connectivity	
DIMENSIONS: mm [INCHES]		CHK	S. SHUEY	26-1-93	CONTACT ASS'Y, LOCKING CLIP. FOR .025 SQUARE POST.	
TOLERANCES UNLESS OTHERWISE SPECIFIED:		APVD	-	-	NAME	
0 PLC	± -	PRODUCT SPEC	108-36028	SIZE		
1 PLC	± -	APPLICATION SPEC	114-25006	CAGE CODE	00779	DRAWING NO
2 PLC	± -	MATERIAL	AS SHOWN	SCALE	10:1	SHEET
3 PLC	± 0.13[.005]	FINISH	AS SHOWN	RESTRICTED TO		REV
4 PLC	± -	WEIGHT	-	Z1		
ANGLES	± -	CUSTOMER DRAWING				

单击下面可查看定价，库存，交付和生命周期等信息

[>>TE Connectivity\(泰科\)](#)