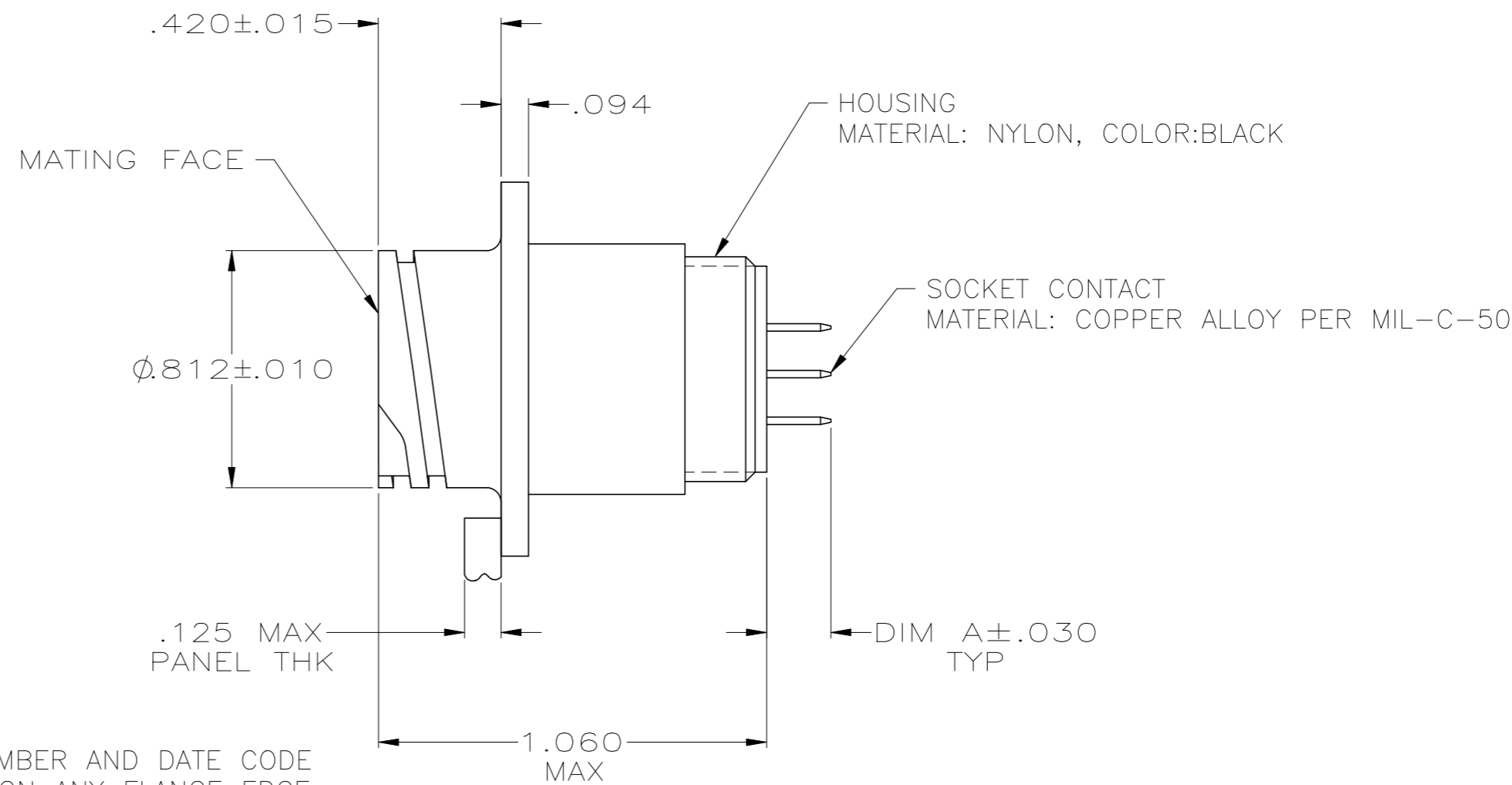
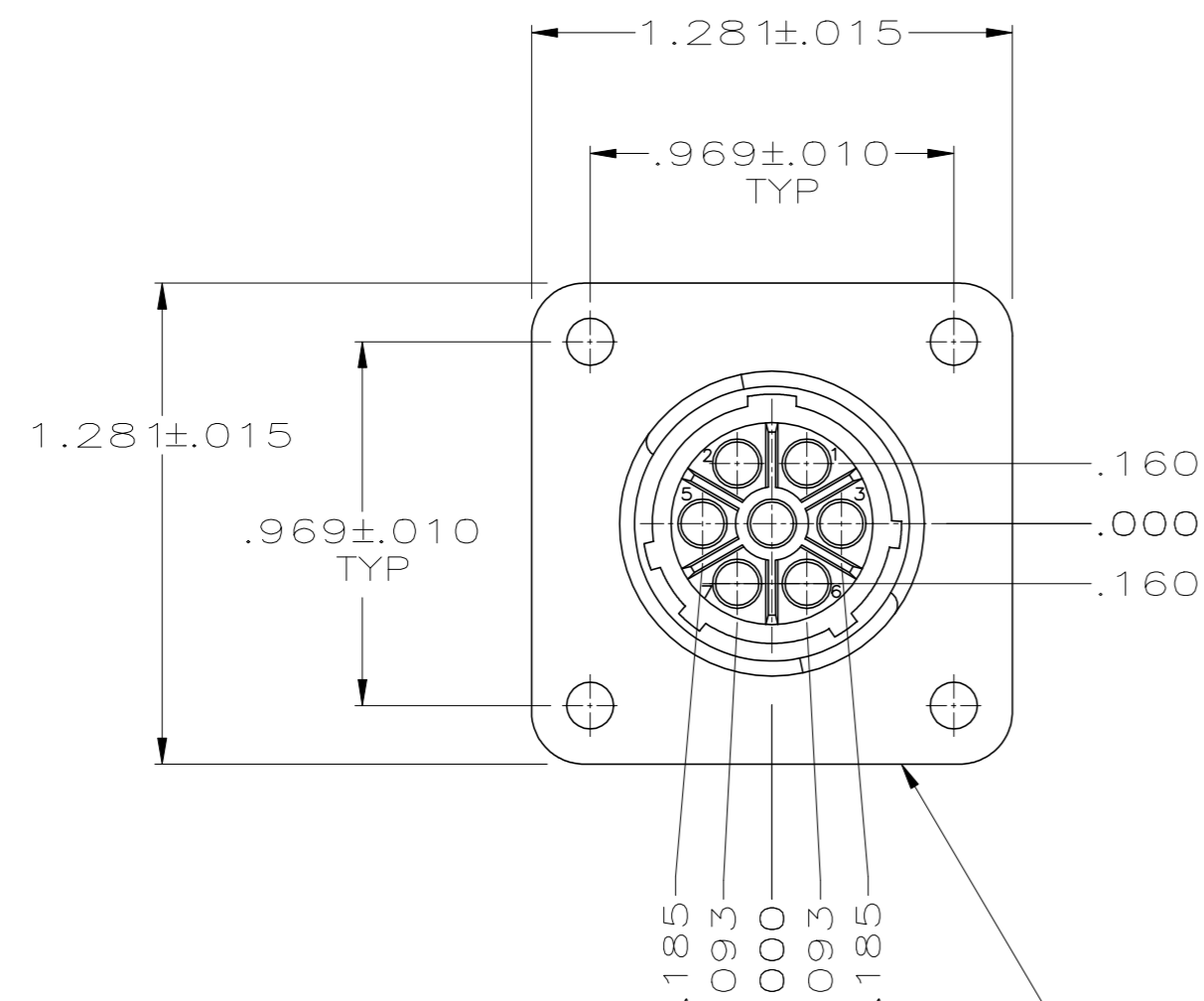


THIS DRAWING IS UNPUBLISHED. RELEASED FOR PUBLICATION
 © COPYRIGHT - By - ALL RIGHTS RESERVED.

REVISIONS					
P	LTR	DESCRIPTION	DATE	DWN	APVD
	D2	REVISED PER ECO-19-009929	02JUL2019	RS	MZ
	D3	REVISED PER ECO-20-007441	02JUN2020	SM	MZ

- 1 CONTACT BODY: 30 μIN MIN GOLD IN CONTACT AREA, 5 μIN MIN GOLD ON REMAINDER, OVER 30 μIN MIN NICKEL.
CONTACT POST: 100 μIN MIN TIN OVER 50 μIN MIN NICKEL.
- 2 CONTACT BODY: 30 μIN MIN GOLD IN CONTACT AREA, OVER 30 μIN MIN NICKEL.
CONTACT POST: 100 μIN MIN TIN-LEADED, OVER 50 μIN MIN NICKEL.

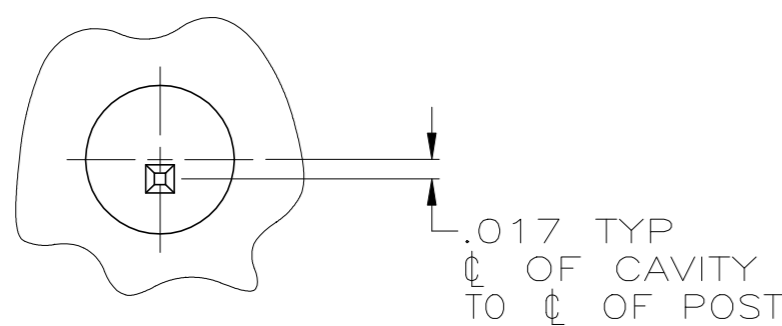


PART NUMBER AND DATE CODE MARKED ON ANY FLANGE EDGE

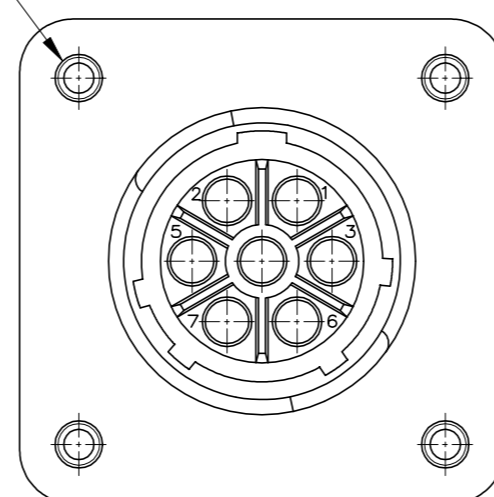
.185
.093
.000
.093
.185

.220	1986377-3
.557	1986377-2
.220	1986377-1
DIM A	PART NUMBER

4-40 THREADED INSERTS QTY: 4 MATERIAL: BRASS



POST ARRANGEMENT ON REAR FACE
SCALE 6:1



1986377-2

YES	1	1986377-3
YES	2	1986377-2
NO	1	1986377-1
4-40 THREADED INSERTS	CONTACT FINISH	PART NUMBER

THIS DRAWING IS A CONTROLLED DOCUMENT.		DWN S. SCHLEGEL 2/27/08		
		CHK S. HEADER 2/27/08		
DIMENSIONS: INCHES		APVD S. HEADER 2/27/08	NAME	
TOLERANCES UNLESS OTHERWISE SPECIFIED:		PRODUCT SPEC		
0 PLC ± -		APPLICATION SPEC		
1 PLC ± -		WEIGHT		
2 PLC ± 0.13 [.005]		SCALE 2:1 SHEET 1 OF 1 REV D3		
3 PLC ± -		CUSTOMER DRAWING		
4 PLC ± -		SIZE A2 CAGE CODE 00779 DRAWING NO. 1986377		
ANGLES ± -		RESTRICTED TO		
FINISH -		-		

单击下面可查看定价，库存，交付和生命周期等信息

[>>TE Connectivity\(泰科\)](#)