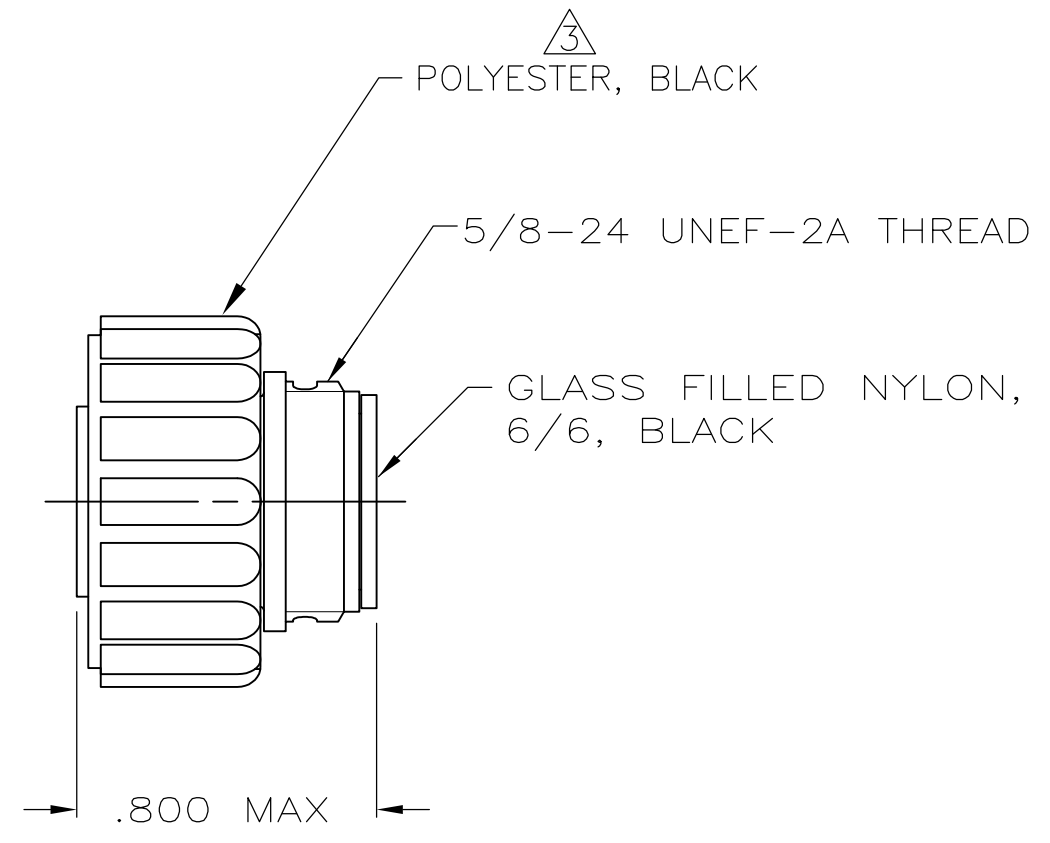
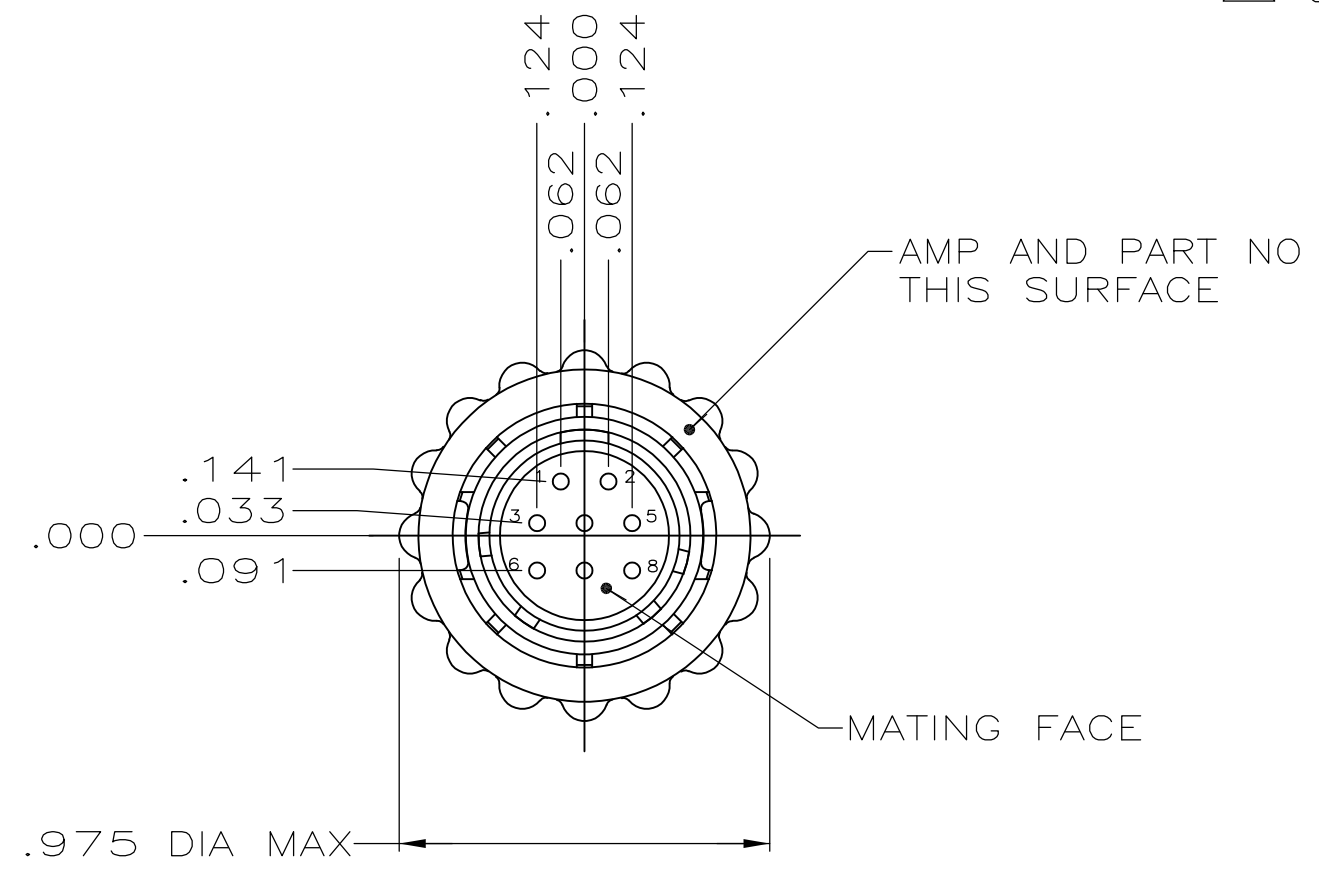


THIS DRAWING IS UNPUBLISHED. RELEASED FOR PUBLICATION
 © COPYRIGHT - By - ALL RIGHTS RESERVED.

LOC	DIST	REVISIONS					
FT	0	P	LTR	DESCRIPTION	DATE	DWN	APVD
			F2	REVISED PER ECO-11-004587	11MAR11	RK	HMR

NOTES:

- CONTACT CAVITIES IDENTIFIED BY CHARACTERS ON FRONT AND REAR FACES OF CONNECTOR.
- WILL ACCEPT (8) SIZE PIN CONTACTS.
- 206434-1 ONLY. COUPLING RING REMOVE FOR 206434-2.
- OBSOLETE PARTS: OBSOLETE CIS STREAMLINING PER D.RENAUD/D.SINISI



4	OBSOLETE	206434-2
		206434-1
		PART NUMBER

THIS DRAWING IS A CONTROLLED DOCUMENT.		DWN	A.STAUB BG	4/8/91	STE TE Connectivity		
DIMENSIONS: INCHES		CHK	W.G.LENKER	7-23-92			
TOLERANCES UNLESS OTHERWISE SPECIFIED:		APVD	-	-	NAME		
0 PLC ± -		PRODUCT SPEC		108-10024			PLUG ASSEMBLY, REV SEX, SERIES 2, 11-8, CPC
1 PLC ± -		APPLICATION SPEC		-			
2 PLC ± -		SIZE	A3	CAGE CODE	00779	DRAWING NO	C-206434
3 PLC ± .005		RESTRICTED TO	-				
4 PLC ± -		SCALE	2:1		SHEET	1 OF 1	
ANGLES ± -		REV	F2				
FINISH		CUSTOMER DRAWING					
MATERIAL SEE							

单击下面可查看定价，库存，交付和生命周期等信息

[>>TE Connectivity\(泰科\)](#)