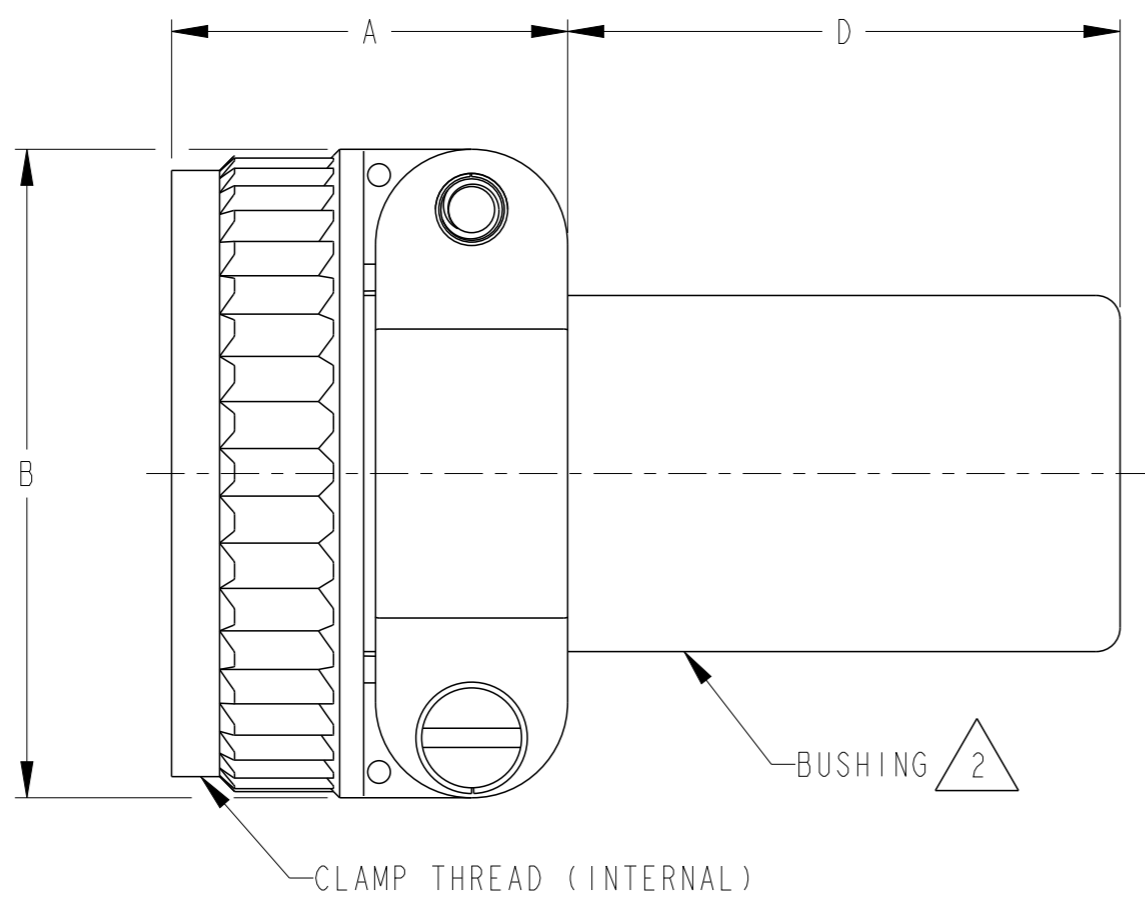
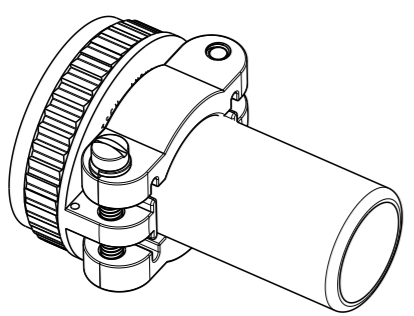
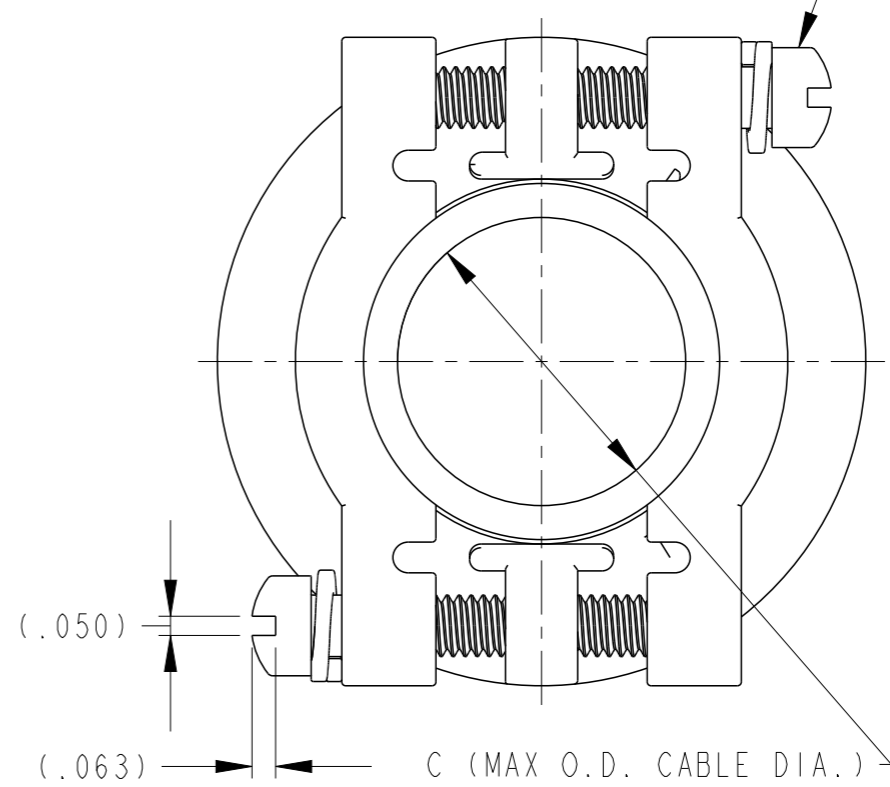


THIS DRAWING IS UNPUBLISHED. RELEASED FOR PUBLICATION 2015. © COPYRIGHT 2001 BY TE CONNECTIVITY ALL RIGHTS RESERVED.

LOC	DIST	REVISIONS			
P	LTR	DESCRIPTION	DATE	DWN	APVD
	E1	REVISED PER ECO-13-015566	03OCT2013	AM	DM
	E2	REVISED PER ECO-15-006803	08JUN2015	JA	DM
	F	REVISED PER PCN E-17-004158	22MAR2017	JA	DM
	G	REVISED PER PCN E-20-016547	19NOV2020	EC	IG



8-32 X 1 1/8 2A-RH
 SLOTTED FILLISTER HEAD STAINLESS STEEL SCREW
 WITH STAINLESS STEEL LOCK WASHER (2 REQ'D)
 MAX TORQUE 17 IN-LB [1.92 N-M]
 2 PLC



XX SIZE	TE INTERNAL PART NO.	DEUTSCH PART NO.	BUSHINGS (NEOPRENE) ²	CLAMP THREAD CLASS 2B	A ±.050 [1.27]	B ±.025 [.635]	C ±.050 [1.27]	D MAX.
18	0409-201-1800	0409-201-1800	1 EACH SUPPLIED	1.188-18 UNEF	.938 [23.82]	1.469 [37.31]	.760 [19.30]	1.800 [45.72]
24	0409-201-2400	0409-201-2400	2 EACH SUPPLIED	1.438-18 UNEF	1.031 [26.19]	1.688 [42.88]	.948 [24.08]	1.700 [43.18]

3. THE OPERATING TEMPERATURE IS -55°C TO 125°C.

² BUSHINGS ARE SHIPPED LOOSE WITH CABLE CLAMP ASSEMBLIES IN A SEALED PLASTIC BAG. PART NUMBER LABEL AND COUNTRY OF ORIGIN, IF OTHER THAN USA, ON THE BAG.

1. FINISH: TIN OVER NICKEL PLATE. MAY DISCOLOR.

NOTES:

THIS DRAWING IS A CONTROLLED DOCUMENT.

DWN: 02MAR2001 ALEX ROLINSKI
 CHK: 08JUN2004 JAIME C. APOSTOL
 APVD: 14JUN2004 ROBIN REED

TE Connectivity

CABLE CLAMP HD30 SERIES

SIZE: A3 CAGE CODE: 4AFU8 DRAWING NO: 0409-201-XX00 RESTRICTED TO: -

CUSTOMER DRAWING SCALE: 2:1 SHEET 1 OF 1 REV G

单击下面可查看定价，库存，交付和生命周期等信息

[>>TE Connectivity\(泰科\)](#)