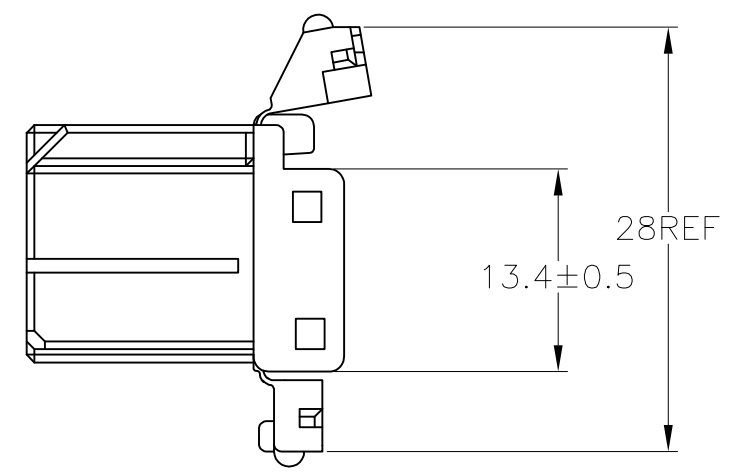
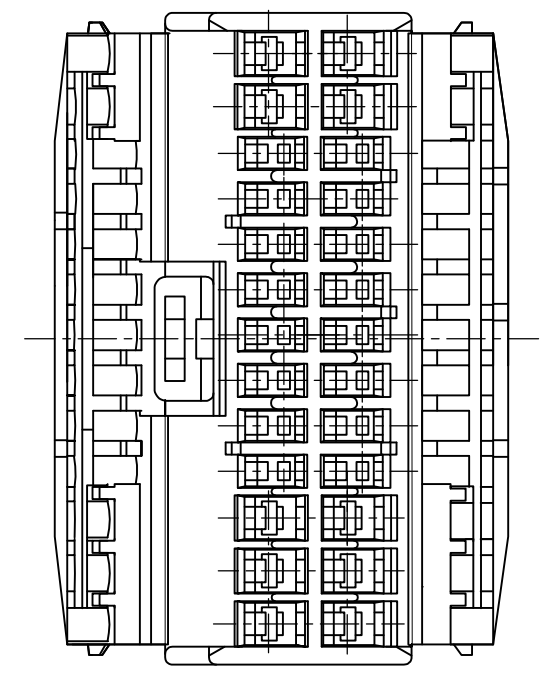
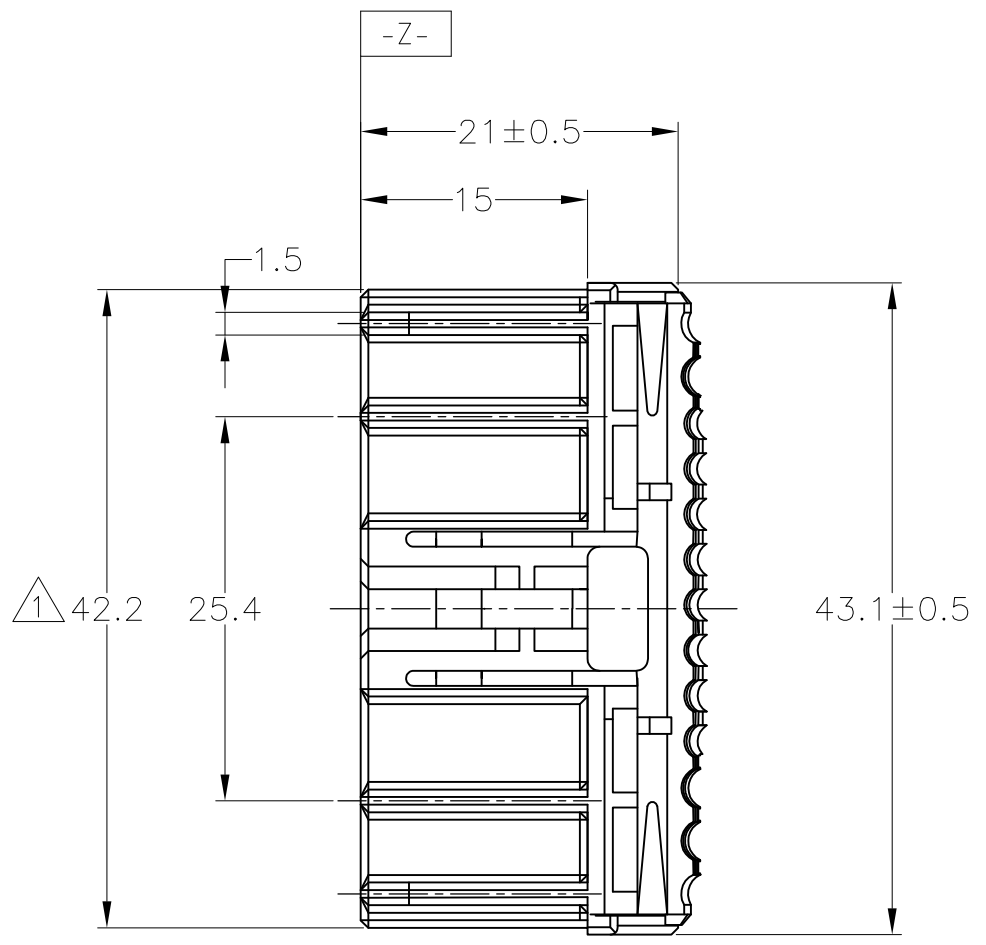
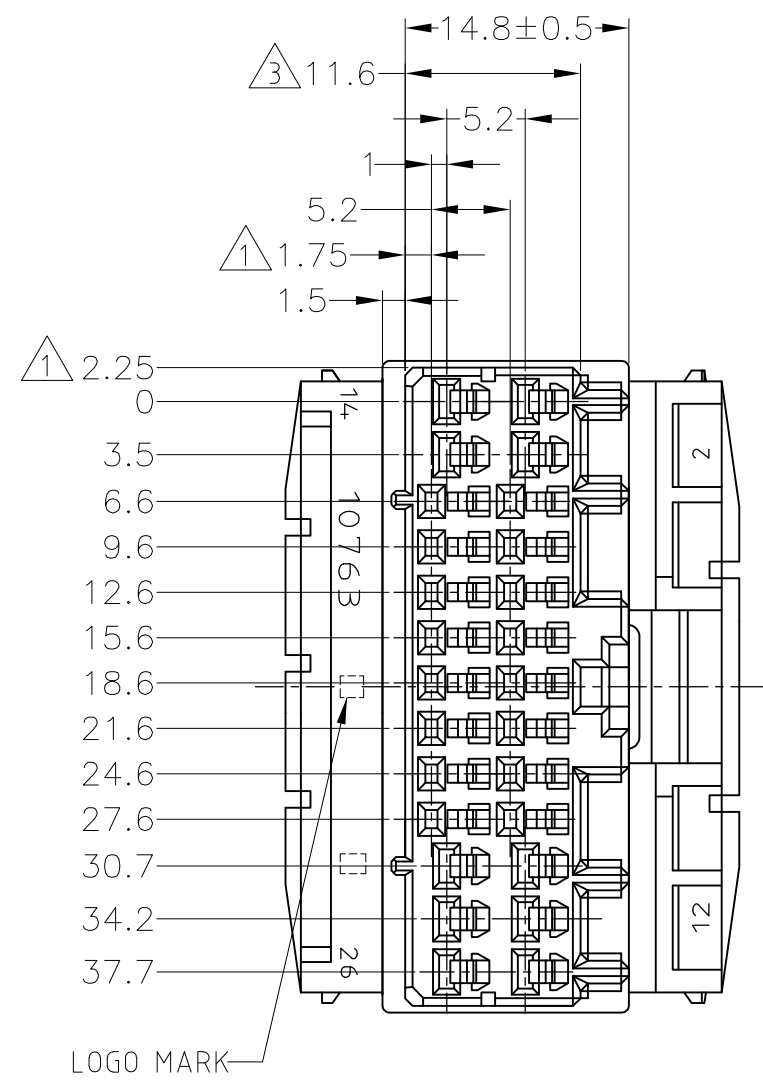


THIS DRAWING IS UNPUBLISHED. RELEASED FOR PUBLICATION
 © COPYRIGHT - By - ALL RIGHTS RESERVED.

LOC	DIST	REVISIONS					
J	-	P	LTR	DESCRIPTION	DATE	DWN	APVD
			E3	REVISED PER ECO-11-005140	28MAR11	RK	HMR



1. MUST BE KEPT BETWEEN -Z- AND 2mm.
 2. THE MATING CAP HOUSING PART NUMBER ; 174518
 3. APPLIED CONTACT PART NUMBER ; 173631, 173716, 173630, 175094
 4. APPLICABLE PRODUCT SPECIFICATION NUMBER ; 108-5280
1. -Z- 面より 2mm の範囲で測定
 2. 嵌合相手ハウジング型番 ; 174518
 3. 内装するリセプタクルコンタクト型番 ; 173631, 173716, 173630, 175094
 4. 適用製品規格番号 ; 108-5280

OBSOLETE	YELLOW	174516-7
	LIGHT GRAY	6-174516-6
	GRAY	174516-6
	BLACK	174516-2
	WHITE	174516-1
	COLOR	PART NUMBER

GENERAL TOLERANCE	
0 < * < 10	± 0.2
10 < * < 30	± 0.25
30 < * < 100	± 0.3
ANGLES	± 3°

THIS DRAWING IS A CONTROLLED DOCUMENT.	
DIMENSIONS: mm	TOLERANCES UNLESS OTHERWISE SPECIFIED:
	0 PLC ± -
	1 PLC ± -
	2 PLC ± -
	3 PLC ± -
	4 PLC ± -
	ANGLES ± -
MATERIAL PBT	FINISH -

DWN T.SHINOHARA 09JUL10	STE TE Connectivity	
CHK K.BETSUI 09JUL10		
APVD K.BETSUI 09JUL10	NAME	
PRODUCT SPEC SEE NOTE 4	HYBRID I/O CONNECTOR 26 POSITION PLUG HOUSING	
APPLICATION SPEC	SIZE A3	CAGE CODE 00779
WEIGHT -	DRAWING NO C-174516	
CUSTOMER DRAWING	RESTRICTED TO -	SCALE 2:1
	SHEET 1 OF 1	REV E3

单击下面可查看定价，库存，交付和生命周期等信息

[>>TE Connectivity\(泰科\)](#)