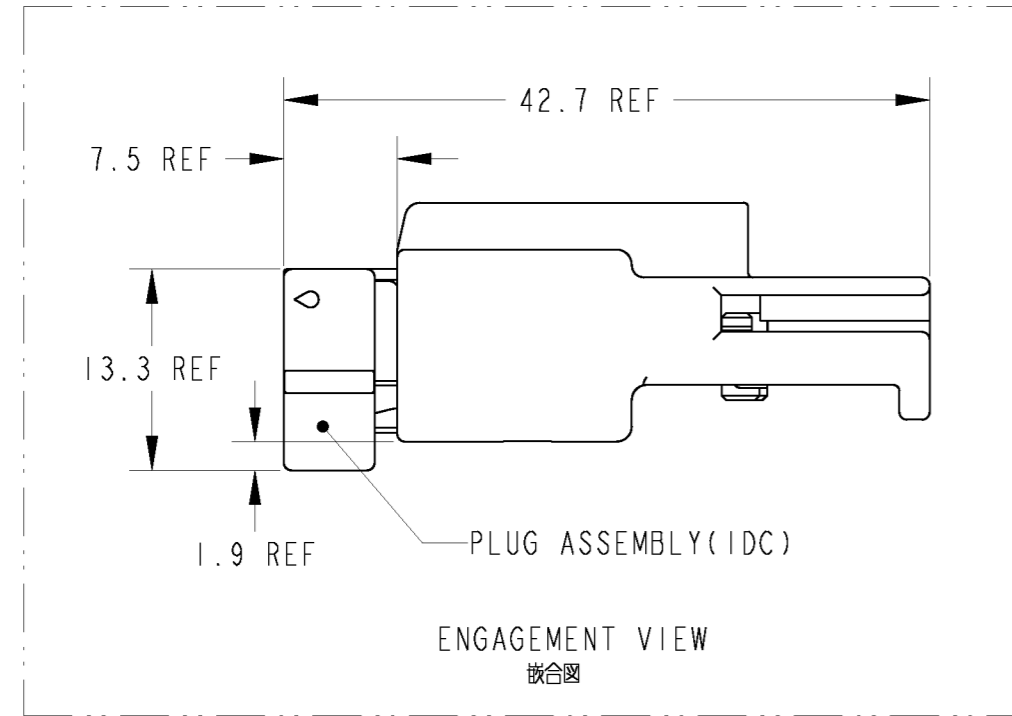
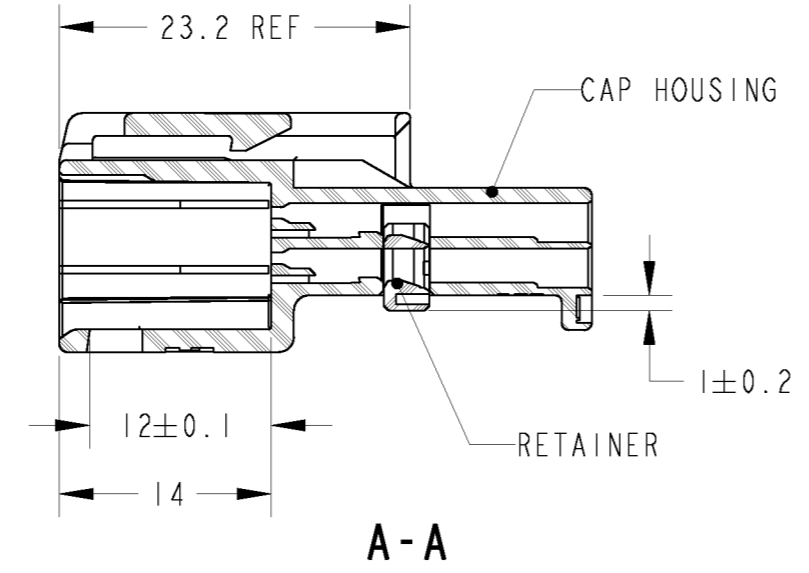
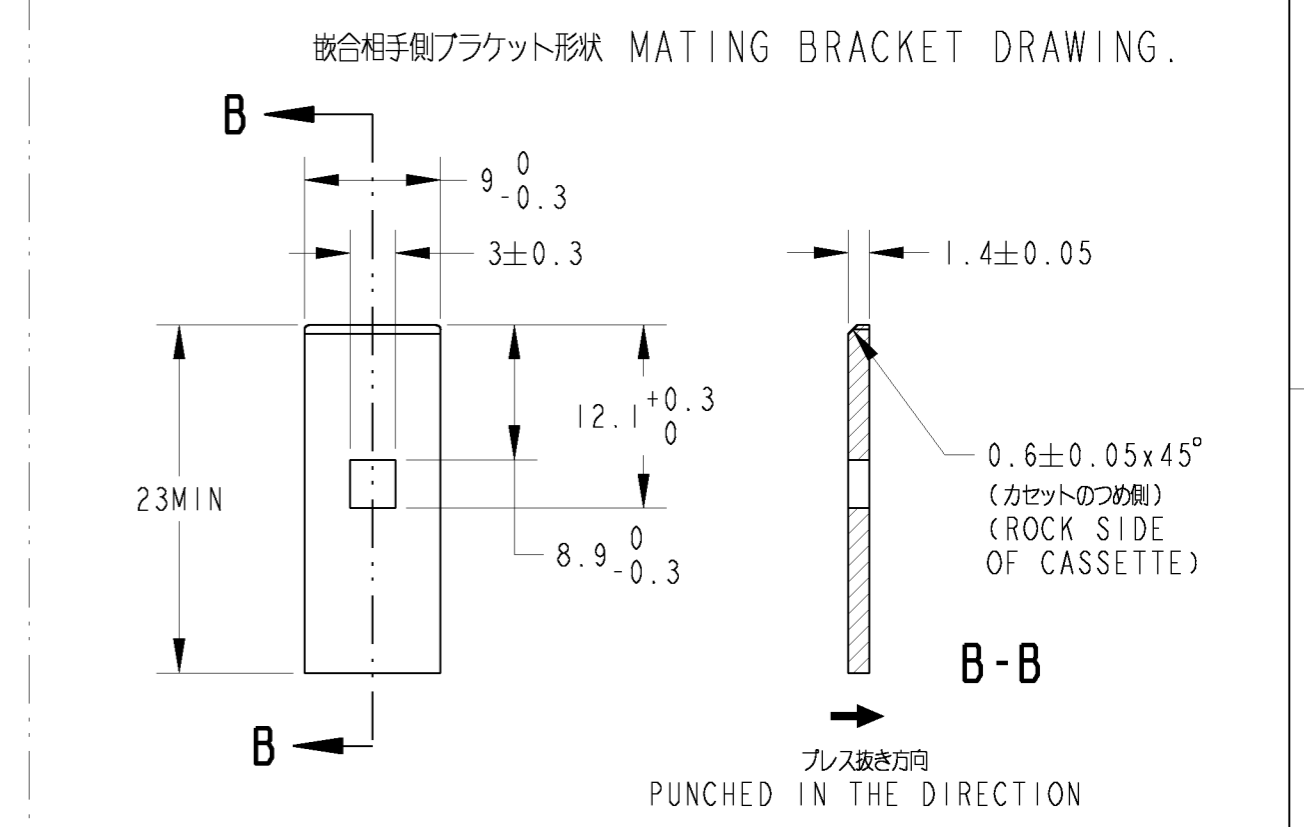
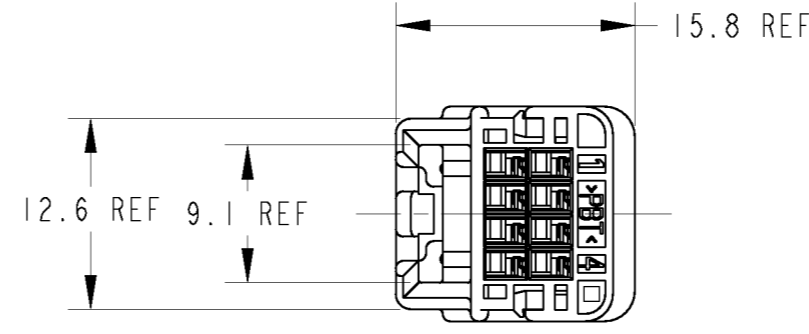
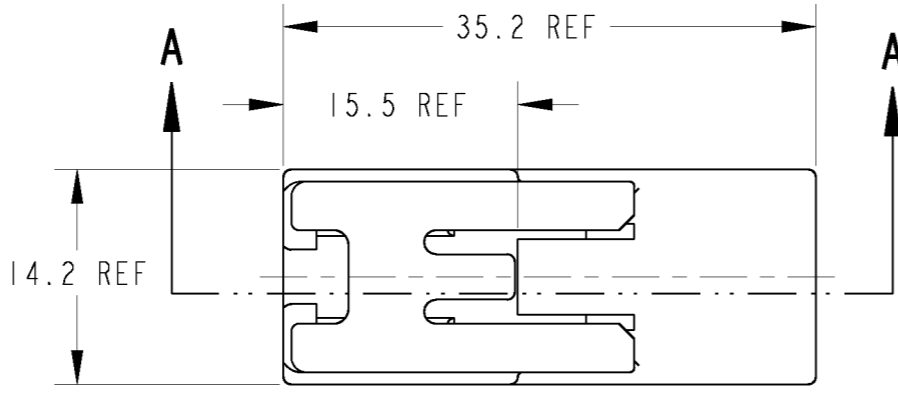
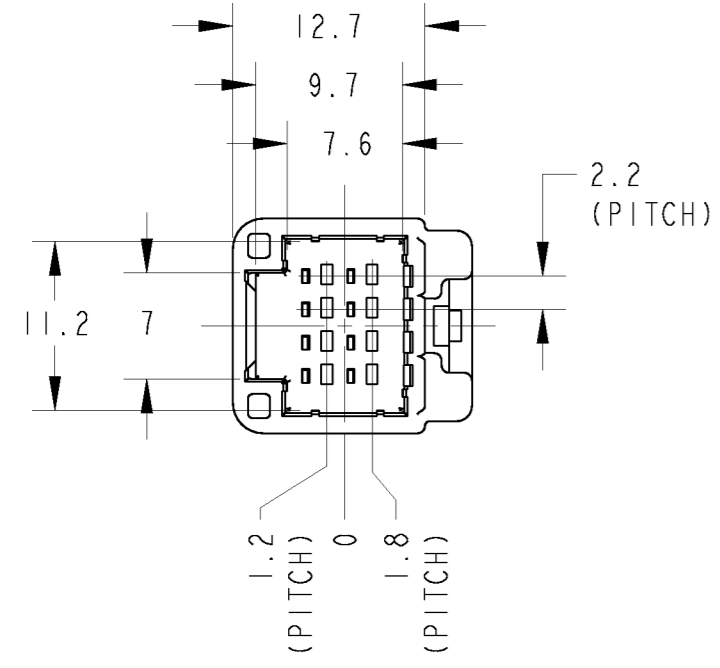


THIS DRAWING IS UNPUBLISHED. RELEASED FOR PUBLICATION 20  
 (C) COPYRIGHT 20 ALL RIGHTS RESERVED.

LOC	DIST	REVISIONS					
		P	LTR	DESCRIPTION	DATE	DWN	APVD
J	-	P		REVISED PER ECO-11-005140	09APR2011	RK	HMR



1. キャップハウジングにダブルロックプレートを取付して出荷される。
  2. 適用端子型番; 1376109, 1473818, 1565406
  3. 取扱説明書; 411-5996
  4. 嵌合相手型番; 1473800 & 1473802 (IDC) 1376352
1. PLATE SHOULD BE SET TO THE PRE-ASSEMBLY POSITION WITHIN THE CAP HOUSING WHEN SHIPPED TO THE CUSTOMER
  2. APPLIED TERMINAL; 1376109, 1473818, 1565406
  3. INSTRUCTION SHEET No; 411-5996
  4. PART NUMBER OF PLUG HOUSING TO BE MATED; 1473800 & 1473802 (IDC), 1376352

PAPER BOX ダンボール	PLASTIC BAG ビニール袋	NATURAL	1473793-1
OUTER 外装	INNER 内装	COLOR	PART NUMBER
PACKING STYLE 梱包形態			

THIS DRAWING IS A CONTROLLED DOCUMENT.

DIMENSIONS: 単位: 英 mm	TOLERANCES UNLESS OTHERWISE SPECIFIED: 一般公差: ±0.3 0-PLC ± 1-PLC ±0.3 2-PLC ±0.10 3-PLC ±0.001 4-PLC ±0.0001 ANGLES ±3°00' FINISH 仕上	DWN S. AMEMIYA 16OCT01 CHK N. SAI 16OCT01 APVD N. SAI 16OCT01 PRODUCT SPEC 108-5660 APPLICATION SPEC 114-5276, 114-5291 WEIGHT 3.6	NAME 8POSITION CAP ASSEMBLY 025 IDC CONNECTOR SIZE A2 CAGE CODE 00779 DRAWING NO. C-1473793 RESTRICTED TO -
----------------------------	---	---	---

MATERIAL 材料 PBT SEE TABLE CUSTOMER DRAWING SCALE 2:1 SHEET 1 OF 1 REV P

单击下面可查看定价，库存，交付和生命周期等信息

[>>TE Connectivity\(泰科\)](#)