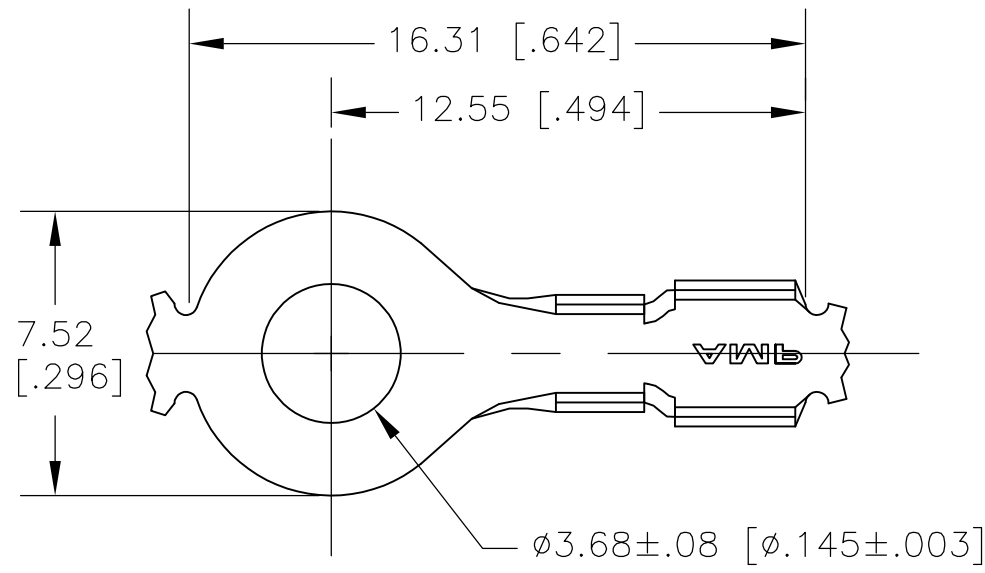
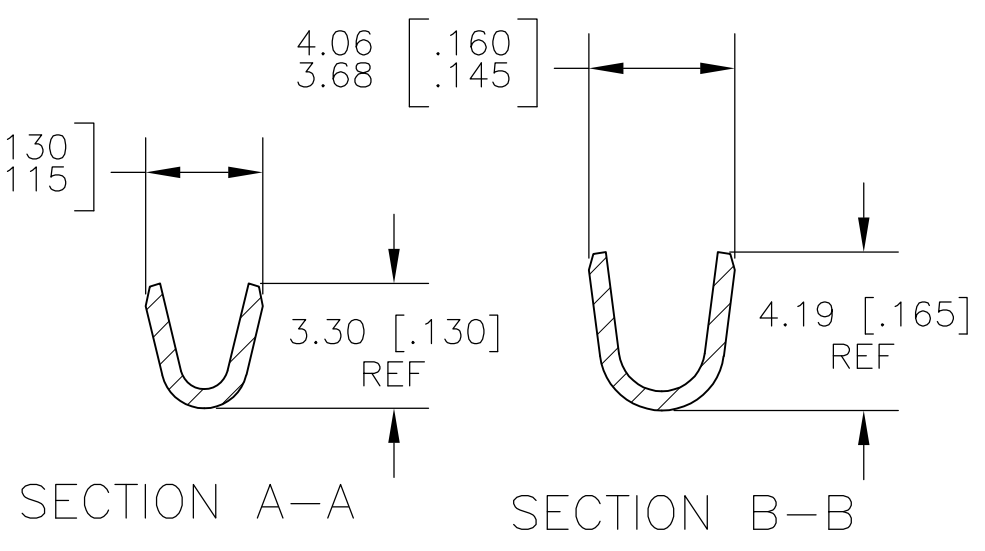
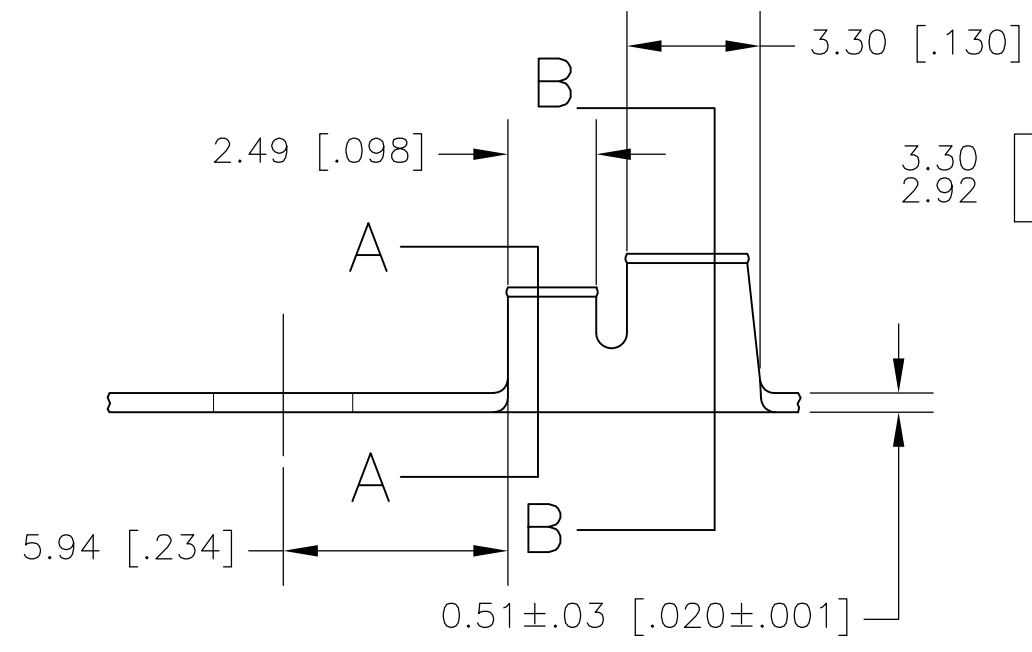


THIS DRAWING IS UNPUBLISHED. RELEASED FOR PUBLICATION
 © COPYRIGHT BY TYCO ELECTRONICS CORPORATION. ALL RIGHTS RESERVED.

LOC	DIST	REVISIONS			
P	LTR	DESCRIPTION	DATE	DWN	APVD
AF	50	P	REVISED PER ECR-10-06099	07JUL10	HMR PD



- CONTINUOUS STRIP ON REELS.
- WIRE SIZE [22-18] AWG.
- INSULATION RANGE 1.52-2.79 [.060-.110] DIA.
- PRELIMINARY - NOT FOR PRODUCTION



1/2 HARD STAINLESS STEEL	$\triangle 5$ 40697-2
082 BRASS	40697
MATERIAL	PART NUMBER

THIS DRAWING IS A CONTROLLED DOCUMENT.		DWN	JR RUTH	17NOV00	Tyco Electronics Corporation Harrisburg, Pa 17105-3608		
DIMENSIONS: INCHES		CHK	MS FEHER	17NOV00			
TOLERANCES UNLESS OTHERWISE SPECIFIED:		APVD	D DECKER	17NOV00	RING TONGUE		
0 PLC ± - 1 PLC ± - 2 PLC ± 0.38 [.015] 3 PLC ± - 4 PLC ± - ANGLES ± -		PRODUCT SPEC		SIZE			RESTRICTED TO
MATERIAL: SEE TABLE		FINISH: TIN		APPLICATION SPEC		CAGE CODE	00779
		WEIGHT: -		DRAWING NO		DRAWING NO	C-40697
CUSTOMER DRAWING				SCALE	5:1	SHEET	1 OF 1
				REV	P		

单击下面可查看定价，库存，交付和生命周期等信息

[>>TE Connectivity\(泰科\)](#)