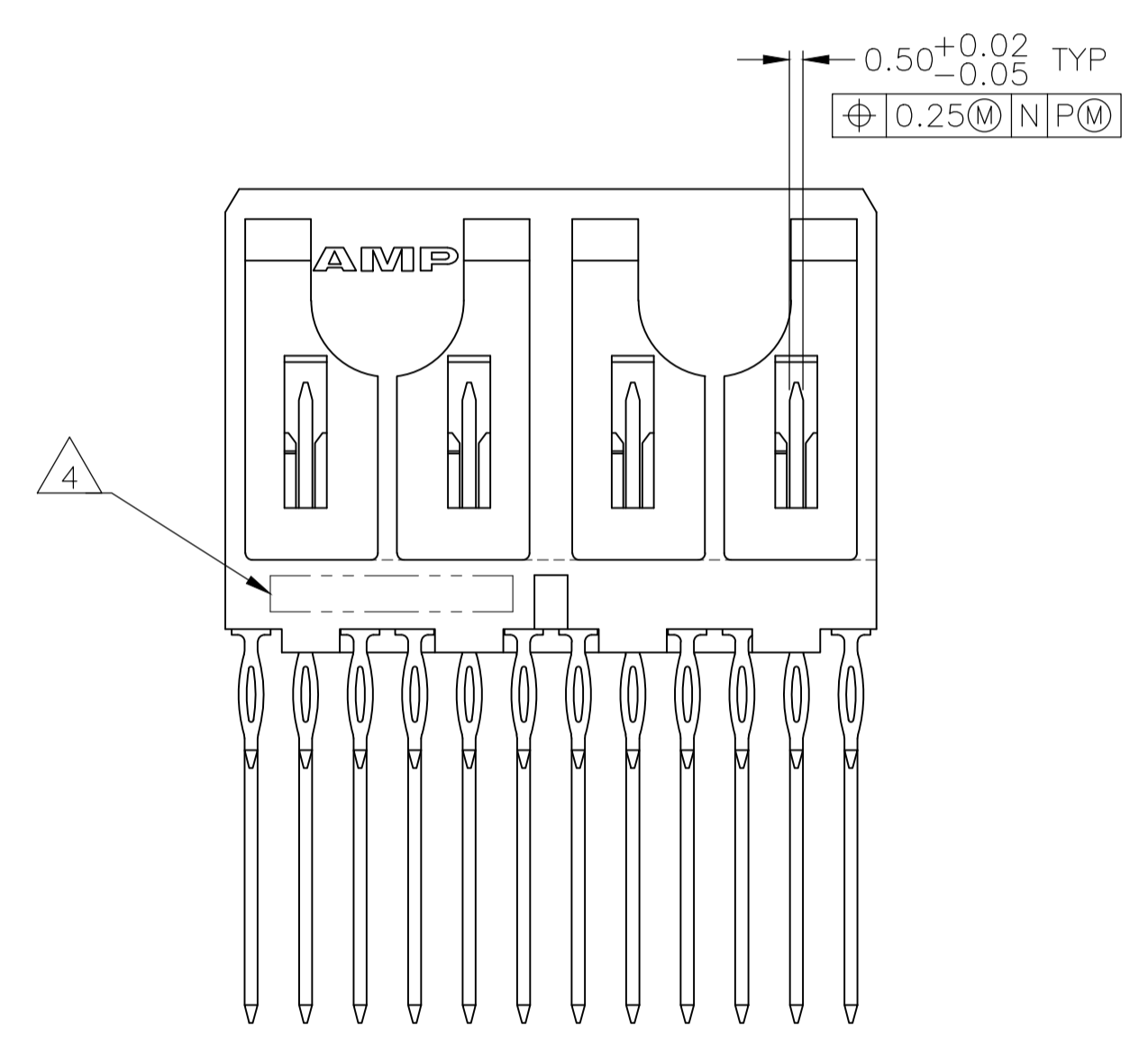
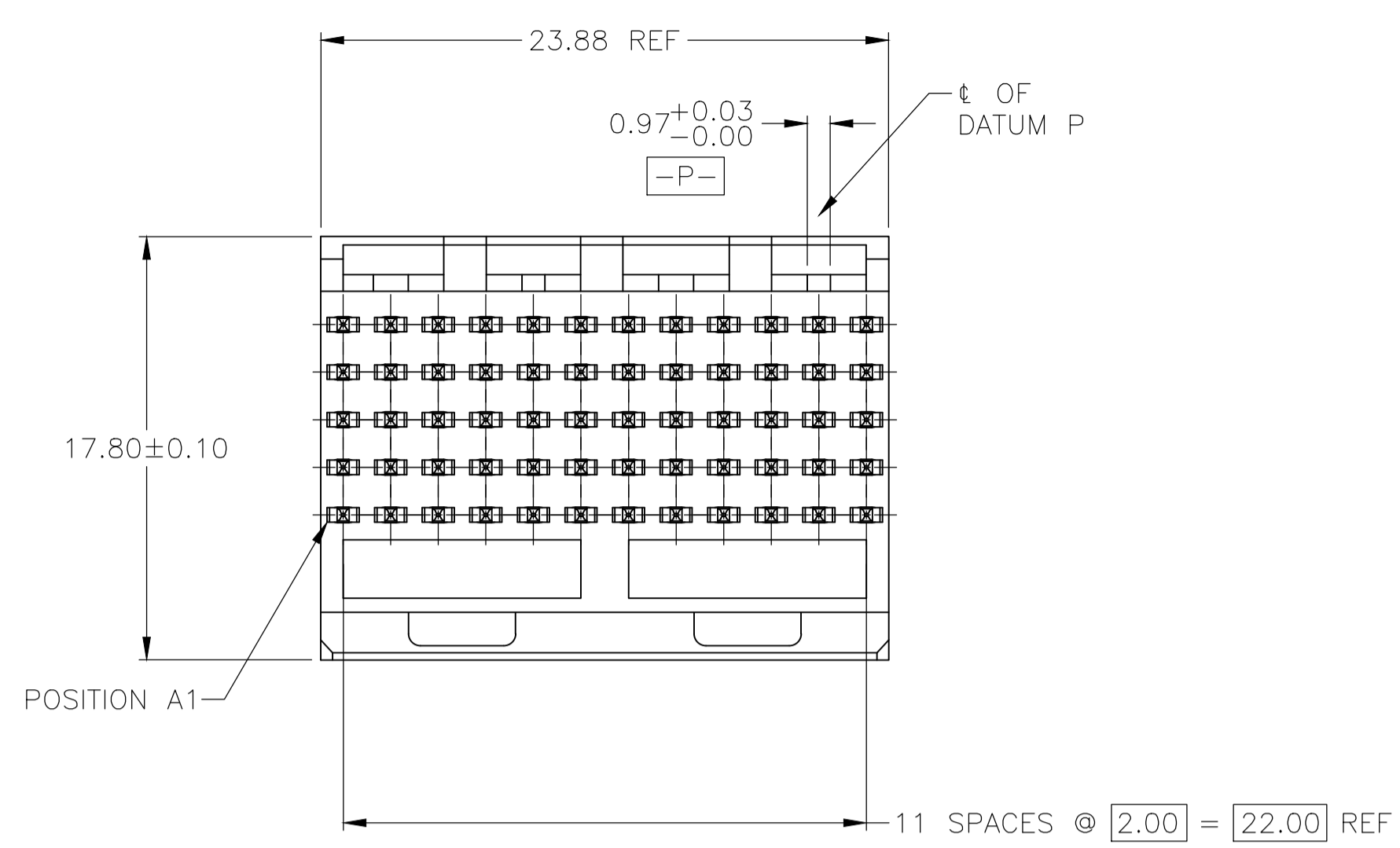
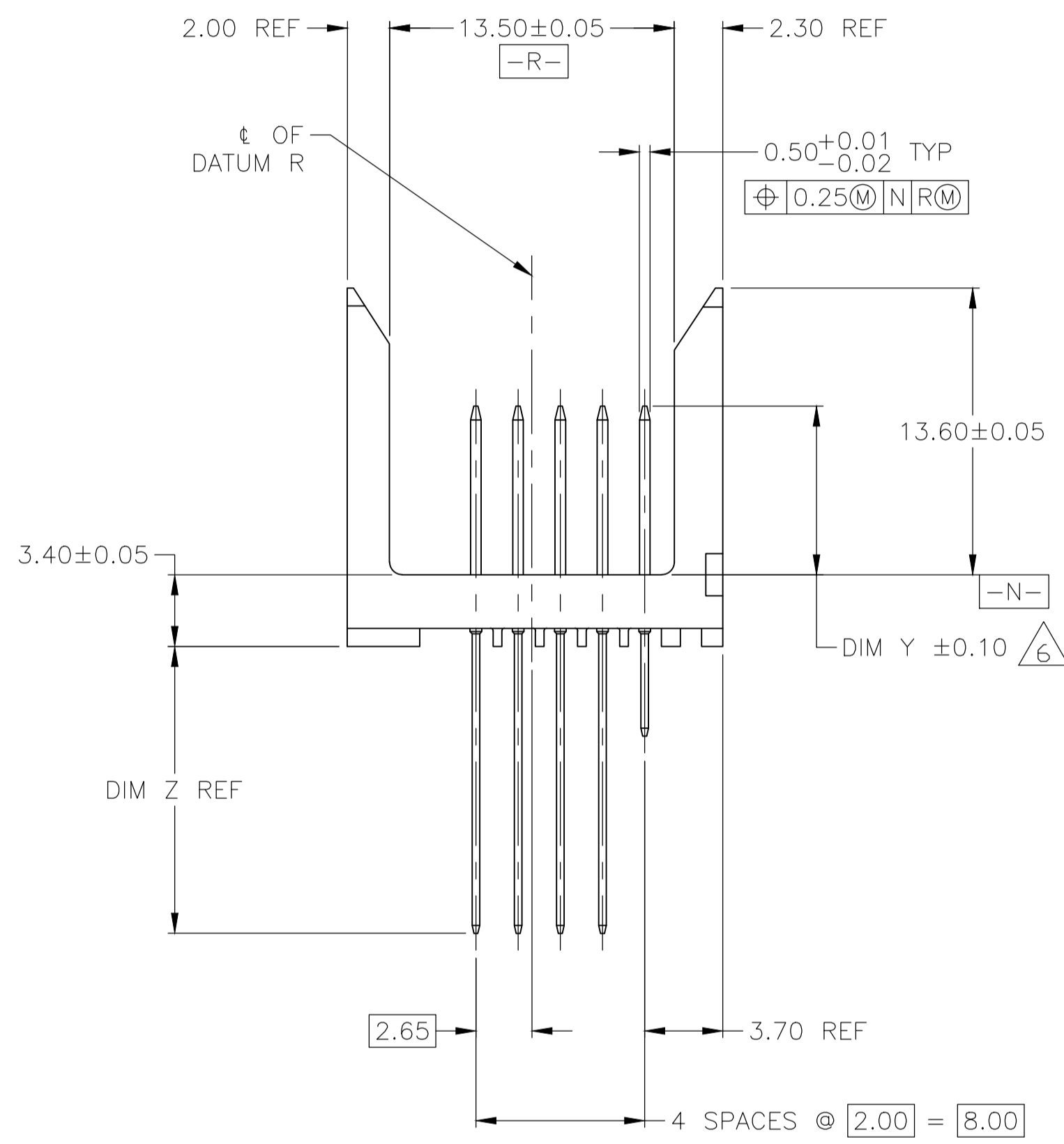


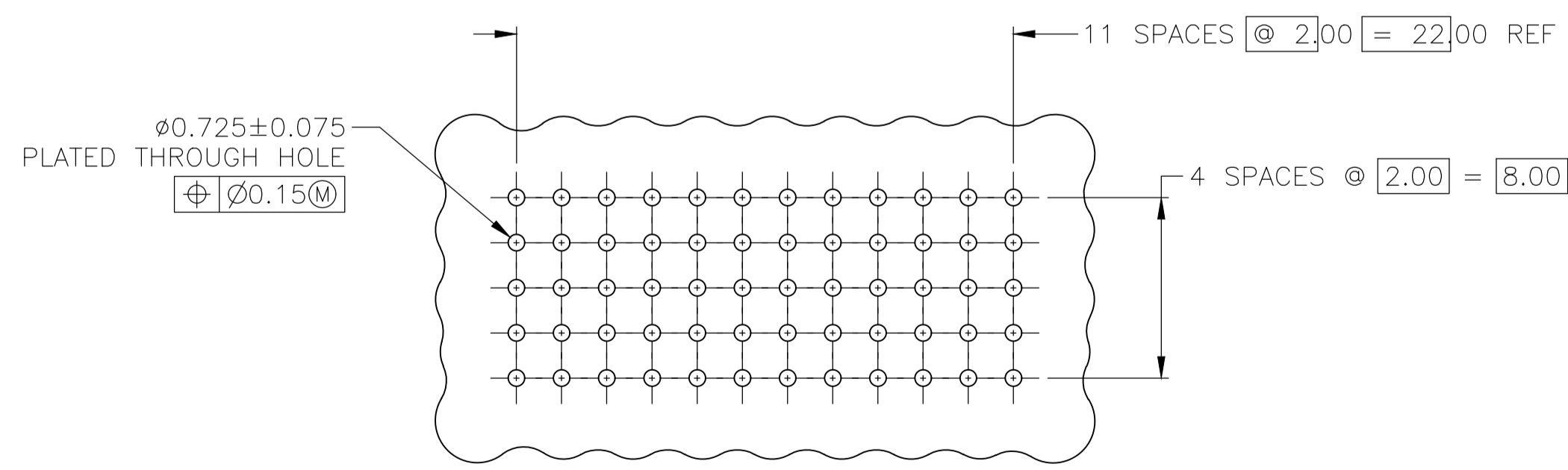
REVISIONS				
P	LTR	DESCRIPTION	DATE	APP'D
F		REVISED PER ECO-20-013368	28SEP2020	RZ HL



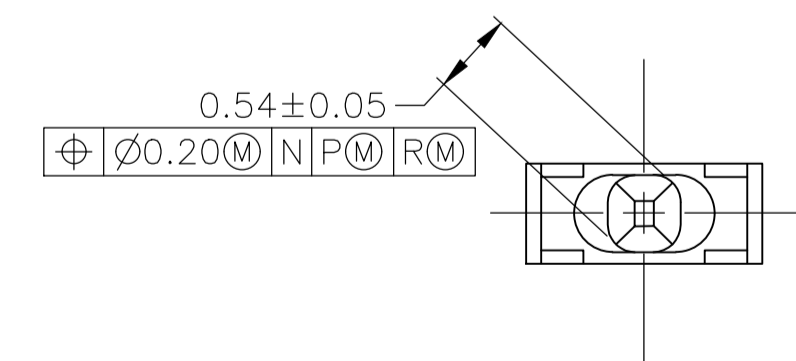
5223081-1 AS SHOWN



- 1 HOUSING MATERIAL: LIQUID CRYSTAL POLYMER, NATURAL.
- 2 CONTACT MATERIAL: PHOSPHOR BRONZE.
- 3 CONTACT FINISH:
UNDERPLATE (ENTIRE CONTACT):
0.00127 MIN NICKEL PER SAE-AMS-QQ-N-290
ON MATING SURFACES:
CONFORMS TO ALL TESTING SPECIFIED FOR TELCORDIA UNCONTROLLED ENVIRONMENT.
ON LEADS:
0.0006 MIN MATTE TIN PER ASTM B 545 OVER UNDERPLATE.
LUBRICATION (MIN MATING SURFACES):
SURFACE CONDITIONER AFTER PLATING.
- 4 PART MARKING, LOCATED APPROXIMATELY AS SHOWN.
- 5. SEE SHEET 2 FOR SEQUENCING CHARTS.
- 6 DIMENSION APPLIES WHEN SEATED ON PRINTED CIRCUIT BOARD.
- 7 SEE RESTRICTED CUSTOMER DRAWING.



RECOMMENDED CIRCUIT PATTERN
(COMPONENT SIDE)



VIEW Z-Z
SCALE 20:1

OBSOLETE	6-5223081-0
OBSOLETE	5-5223081-9
OBSOLETE	5-5223081-8
OBSOLETE	5-5223081-7
OBSOLETE	5-5223081-6
OBSOLETE	5-5223081-0
OBSOLETE	4-5223081-9
OBSOLETE	4-5223081-8
OBSOLETE	4-5223081-6
SUPERCEDED BY 4-1705989-3 4-5223081-3	
OBSOLETE	3-5223081-5
OBSOLETE	3-5223081-2
	3-5223081-1
OBSOLETE	3-5223081-0
OBSOLETE	2-5223081-9
OBSOLETE	2-5223081-8
OBSOLETE	2-5223081-6
	2-5223081-4
OBSOLETE	1-5223081-2
OBSOLETE	1-5223081-1
OBSOLETE	1-5223081-0
OBSOLETE	5223081-9
	5223081-8
OBSOLETE	5223081-7
OBSOLETE	5223081-6
OBSOLETE	5223081-5
OBSOLETE	5223081-4
	5223081-3
OBSOLETE	5223081-2
OBSOLETE	5223081-1
	PART NUMBER

THIS DRAWING IS A CONTROLLED DOCUMENT.

DIMENSIONS:	TOLERANCES UNLESS OTHERWISE SPECIFIED:	DIN B MCMMASTER 130EC04	TE Connectivity
mm	0. PLC ± -	CIK R WERTZ 130EC04	
	1. PLC ± -	APVD R WERTZ 130EC04	NAME
	2. PLC ± 0.13		PIN ASSY Z-PACK 2mm FB SIGNAL
	3. PLC ± -		VERTICAL 5R 60P
	4. PLC ± -		PRESS FIT LEADS W/SEQUENCING
	ANGLES ± -		APPLICATION SPEC
MATERIAL	FINISH	SIZE	CAGE CODE
		A1	00779
		WEIGHT	DRAWING NO
			5223081
		CUSTOMER DRAWING	RESTRICTED TO
		SCALE 4:1	SHEET 1 OF 2
			REV F

单击下面可查看定价，库存，交付和生命周期等信息

[>>TE Connectivity\(泰科\)](#)