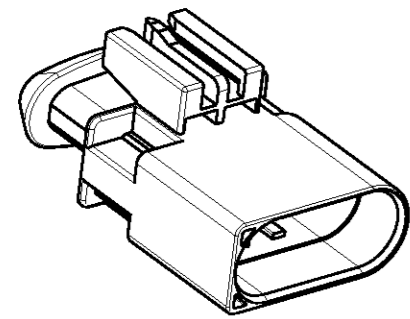
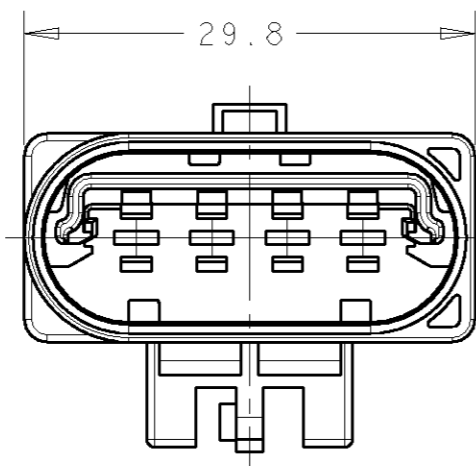


THIS DRAWING IS UNPUBLISHED. RELEASED FOR PUBLICATION 20
 © COPYRIGHT 20 BY TYCO ELECTRONICS CORPORATION. ALL RIGHTS RESERVED.

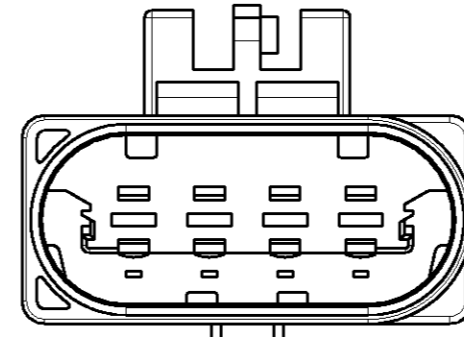
LOC		DIST		REVISIONS			
E	B	P	LTR	DESCRIPTION	DATE	DWN	APVD
		A	EBA0 0053 03		12MAY2004	JCM	BB
		B	ECR-07-017972		31JULY2007	MJH	BB



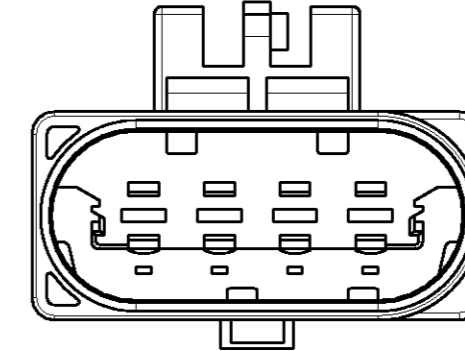
SCALE 1:1



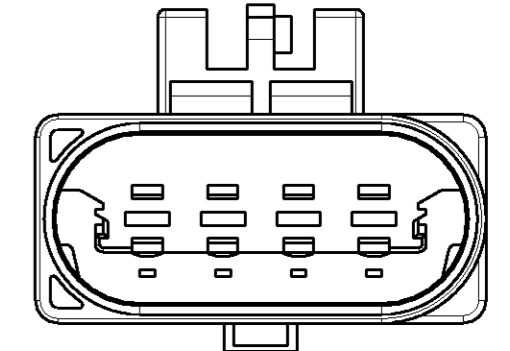
CODING OPTIONS
 VIEWS SHOW SECONDARY LOCK OMITTED FOR CLARITY



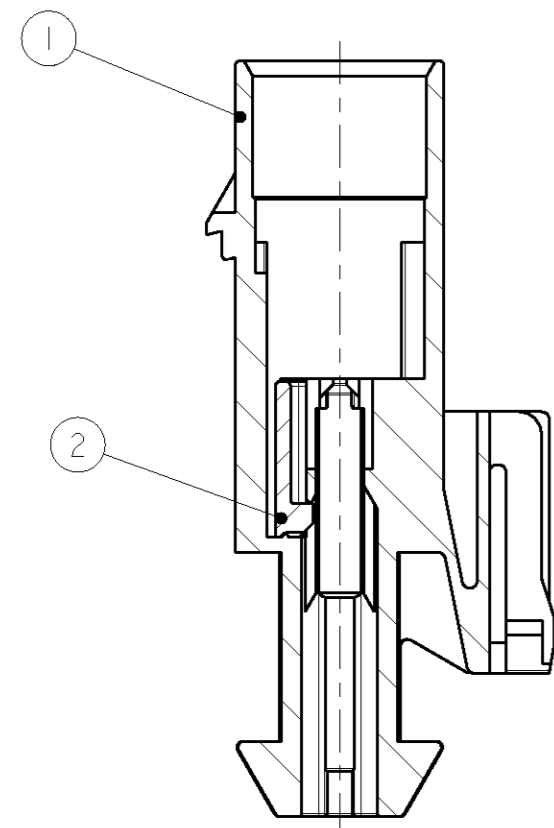
CODING A



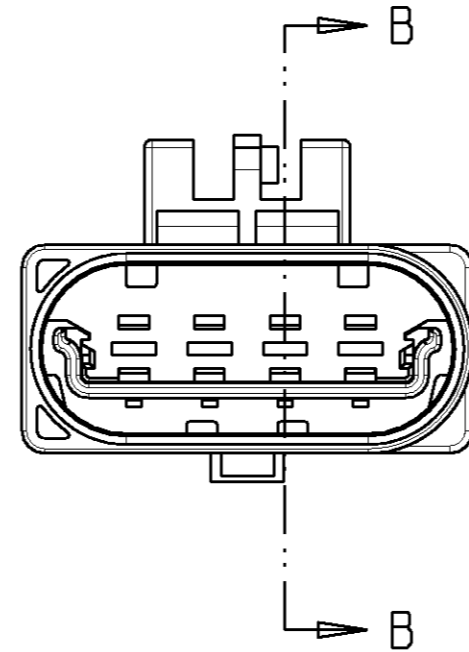
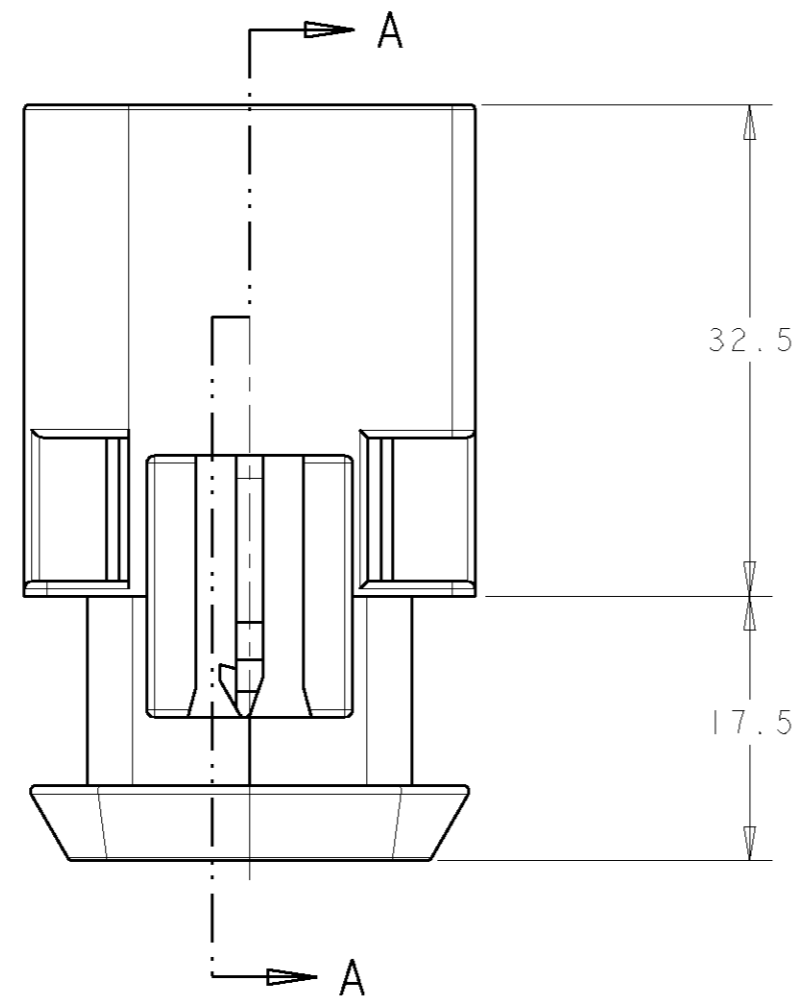
CODING B



CODING Z

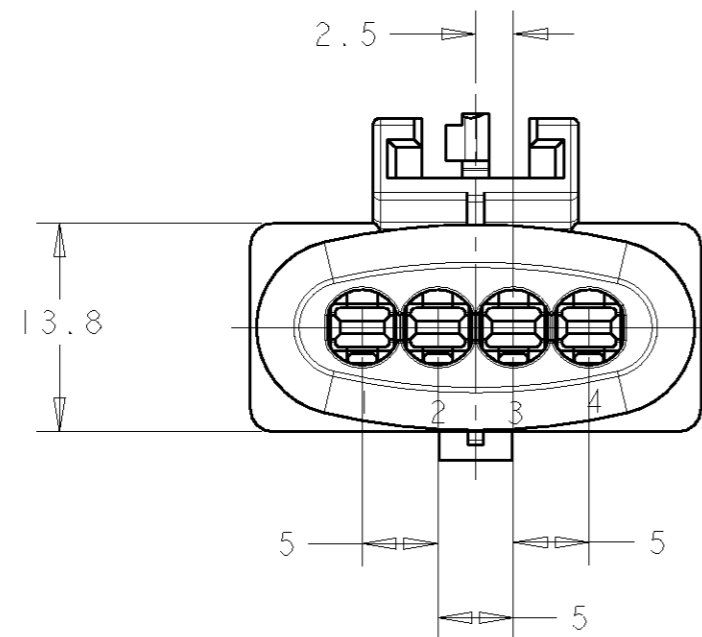


SECTION A-A



SECTION B-B

VIEWS ABOVE SHOW SECONDARY LOCK MOVED TO CLOSED POSITION, THIS IS NOT THE CONDITION OF DELIVERY.



NOTES:

- SUITABLE FOR JPT TAB CONTACT WITH SINGLE WIRE SEALING.
- PACKAGING : LOOSE PIECE

COLOUR	DESCRIPTION	POSN CODE	PART NUMBER
WATER BLUE	SECONDARY LOCK	2	Z 9-699297-1
WATER BLUE	TAB HSG	1	
NATURAL	SECONDARY LOCK	2	B 2-699297-1
BLACK	TAB HSG	1	
BLACK	SECONDARY LOCK	2	A 1-699297-1
BLACK	TAB HSG	1	

THIS DRAWING IS A CONTROLLED DOCUMENT FOR TYCO ELECTRONICS CORPORATION IT IS SUBJECT TO CHANGE AND THE CONTROLLING ENGINEERING ORGANIZATION SHOULD BE CONTACTED FOR THE LATEST REVISION.		DWN J. MARSH 14.11.03
DIMENSIONS: mm		CHK B. B 14.11.03
TOLERANCES UNLESS OTHERWISE SPECIFIED: LINEAR ±0.5 Ø PLC ±0.1 1 PLC ±0.1 2 PLC ±0.05 3 PLC ± 4 PLC ± ANGLES ±0.5 FINISH		APVD BB 14.11.03
MATERIAL 20% GF PBT		PRODUCT SPEC 108-3395
		APPLICATION SPEC -
		WEIGHT 4g
		CUSTOMER DRAWING

Tyco Electronics UK Ltd, Stanmore, Middlesex, HA7 4RS.	
NAME 4 POSN. VDA CONNECTOR	
SIZE A2	CAGE CODE 00779
DRAWING NO 699297	RESTRICTED TO -
SCALE 2:1	SHEET 1 OF 1
REV B	

单击下面可查看定价，库存，交付和生命周期等信息

[>>TE Connectivity\(泰科\)](#)