

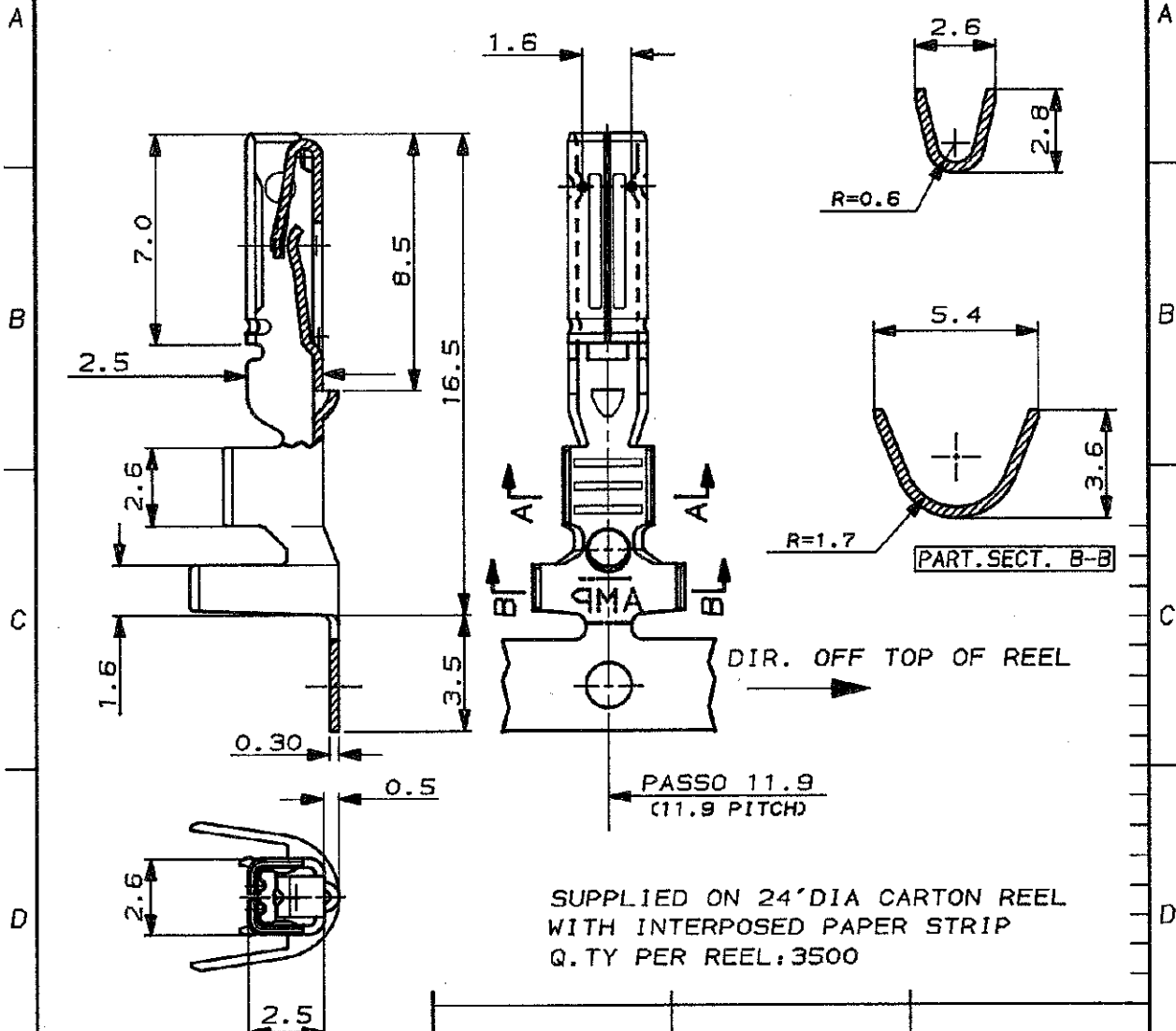
FOR AMP DO BRASIL ONLY

SCALA NON IMPEGNATIVA  
(DO NOT SCALE)  
DIMENSIONI IN mm  
(DIMENSIONS IN mm)

METRIC

PROIEZIONE EUROPEA  
(EUROPEAN PROJECTION)

PART. SECT. A-A



SUPPLIED ON 24" DIA CARTON REEL  
WITH INTERPOSED PAPER STRIP  
Q. TY PER REEL: 3500

PRE-STAGNATO (PRE-TIND)	BRONZO FOSF. (PH. BR.)	282438-1
FINITURA / COLORE (FINISH / COLOUR)	MATERIALE (MATERIAL)	NUMERO (PART NUMBER)

CUSTOMER DWG. FOR REFERENCE ONLY      DISEGNO PER CLIENTE SOLO PER RIFERIMENTO

THIS DRAWING IS UNPUBLISHED      RELEASE FOR PUBLICATION      1990

© COPYRIGHT 1990 BY AMP INCORPORATED, HARRISBURG, PA. ALL INTERNATIONAL RIGHT RESERVED. AMP PRODUCTS MAY BE COVERED BY U.S. AND FOREIGN PATENT AND/OR PATENT PENDING.

TOLLERANZE, SE NON DIVERSAMENTE SPECIFICATO TOLERANCES, UNLESS OTHERWISE SPECIFIED	DIA. ISOLANTE (INS. DIA. RANGE)	RANGO FILO (WIRE RANGE)	SCALA (SCALE)
± 0.3		0.5-1.0mm <sup>2</sup>	NO

ANGOLI (ANGLES) ± 2°

**AMP** AMP ITALIA S.p.A.  
Corso F.lli Cervi, 15  
COLLENO (TORINO)

DIS. C. BERTINI (DR.) 1-07-92

DESCRIZIONE (DESCRIPTION) MINI MIC SRS REC. CONTACT

REV. REVISIONI (REVISION RECORD)	DIS. DATA (DR. DATE)	LOC. SIZE (LOC. SIZE)	NUMERO (CDSG NO)	REV.	FOLIO (SHEET)
1 WAS C-92-51192	31-7-92	I A4	C-282438	A	1 DI 1

DISTRIBUZIONE (PRINT DIST.)

单击下面可查看定价，库存，交付和生命周期等信息

[>>TE Connectivity\(泰科\)](#)