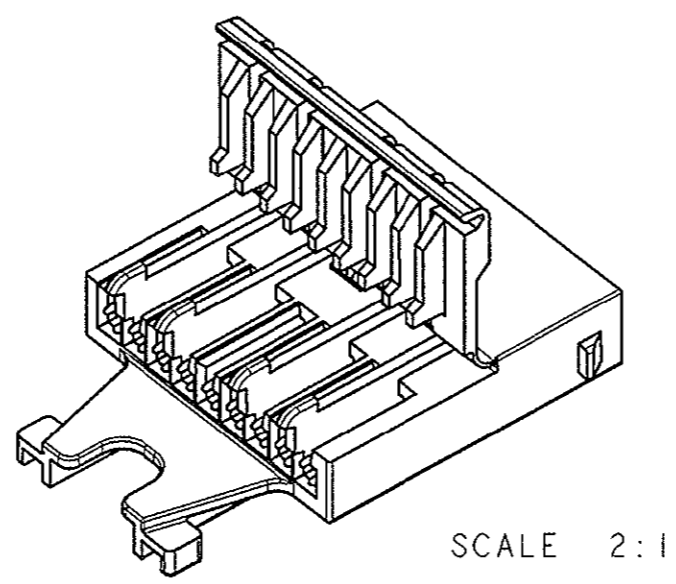
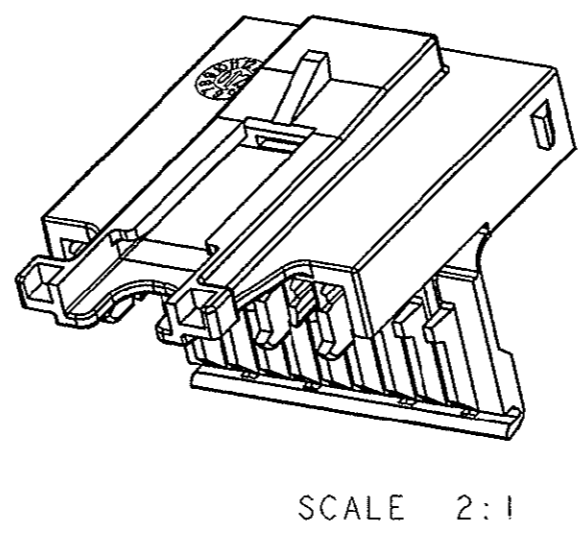
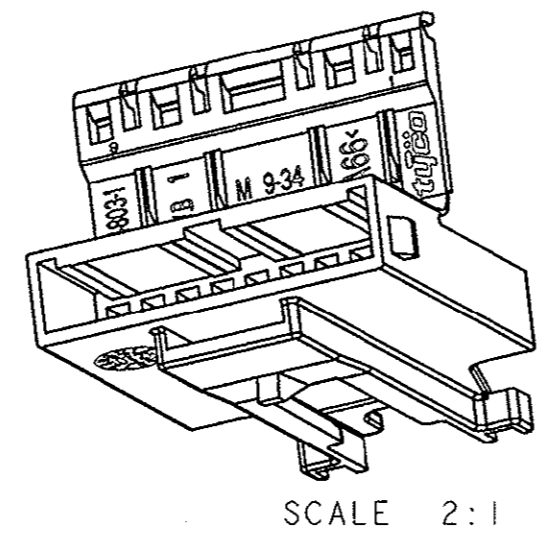
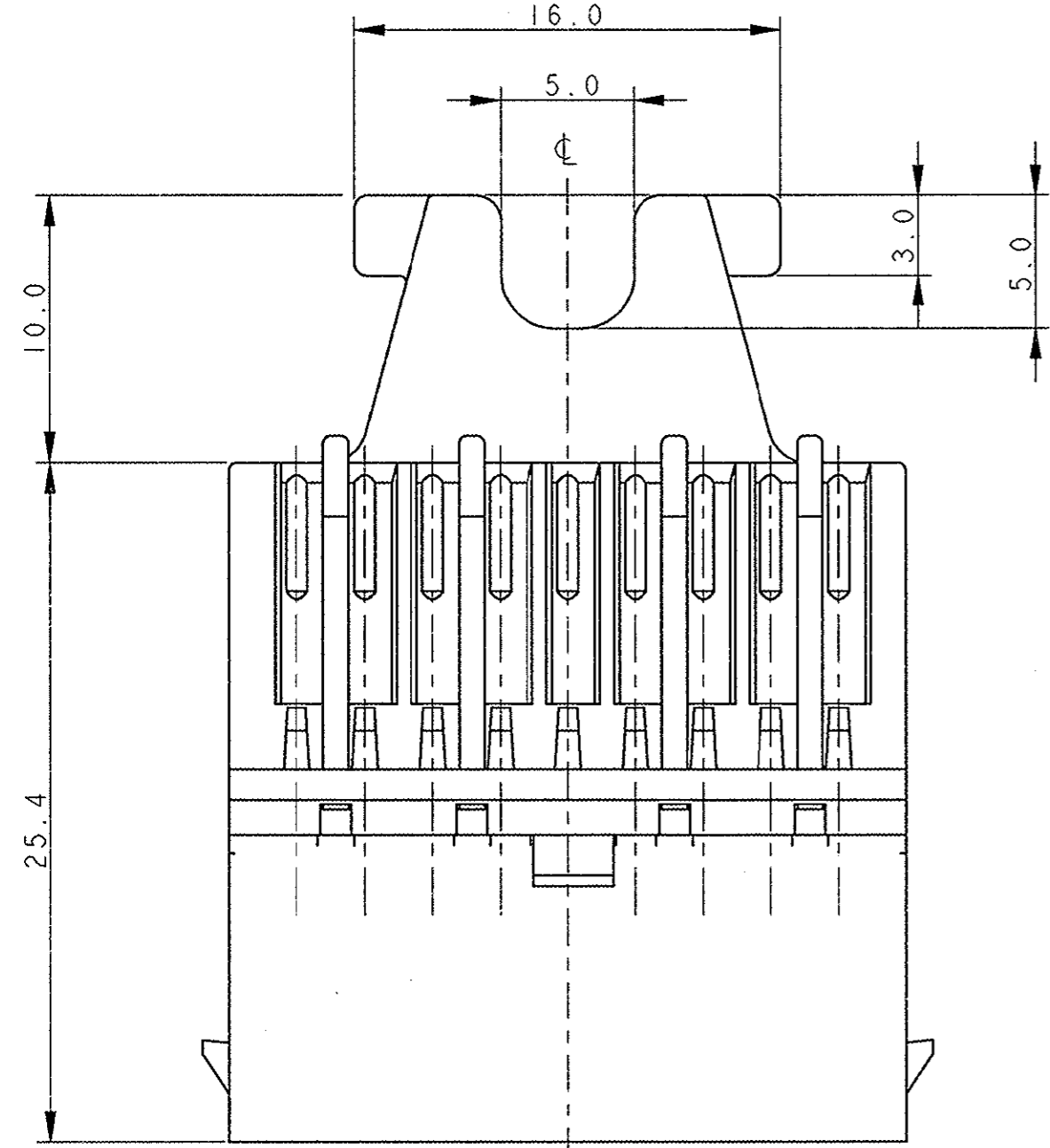
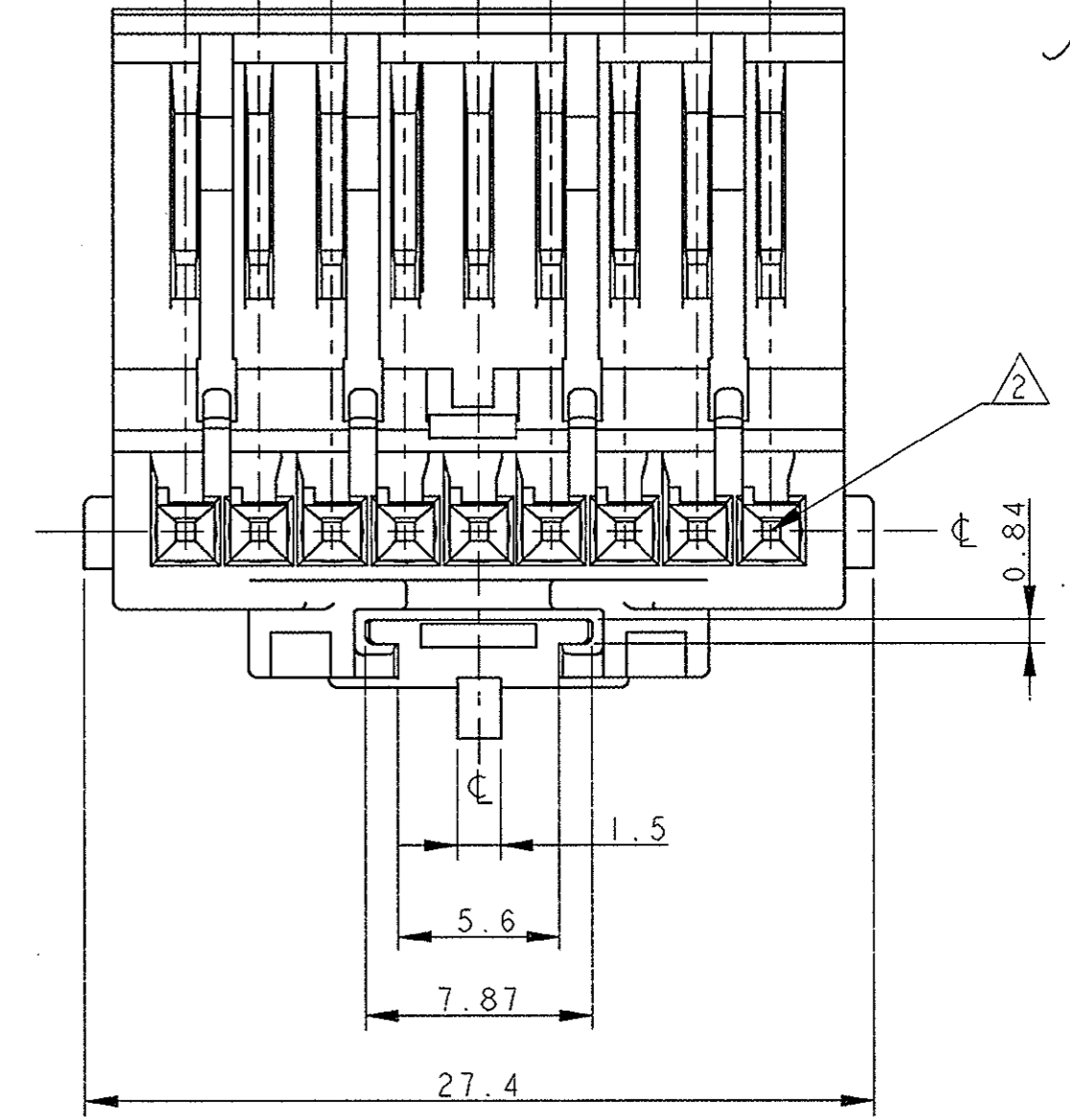
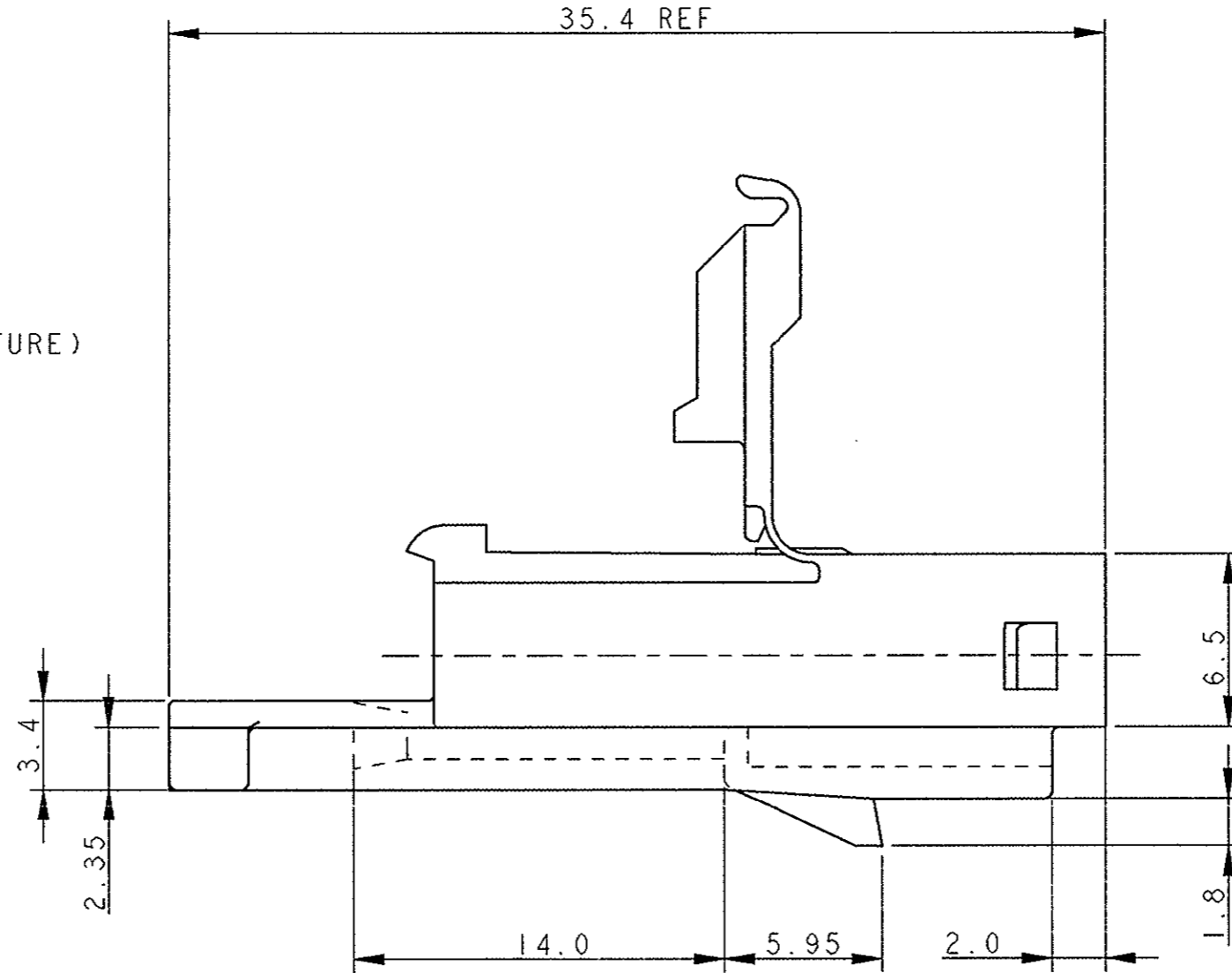
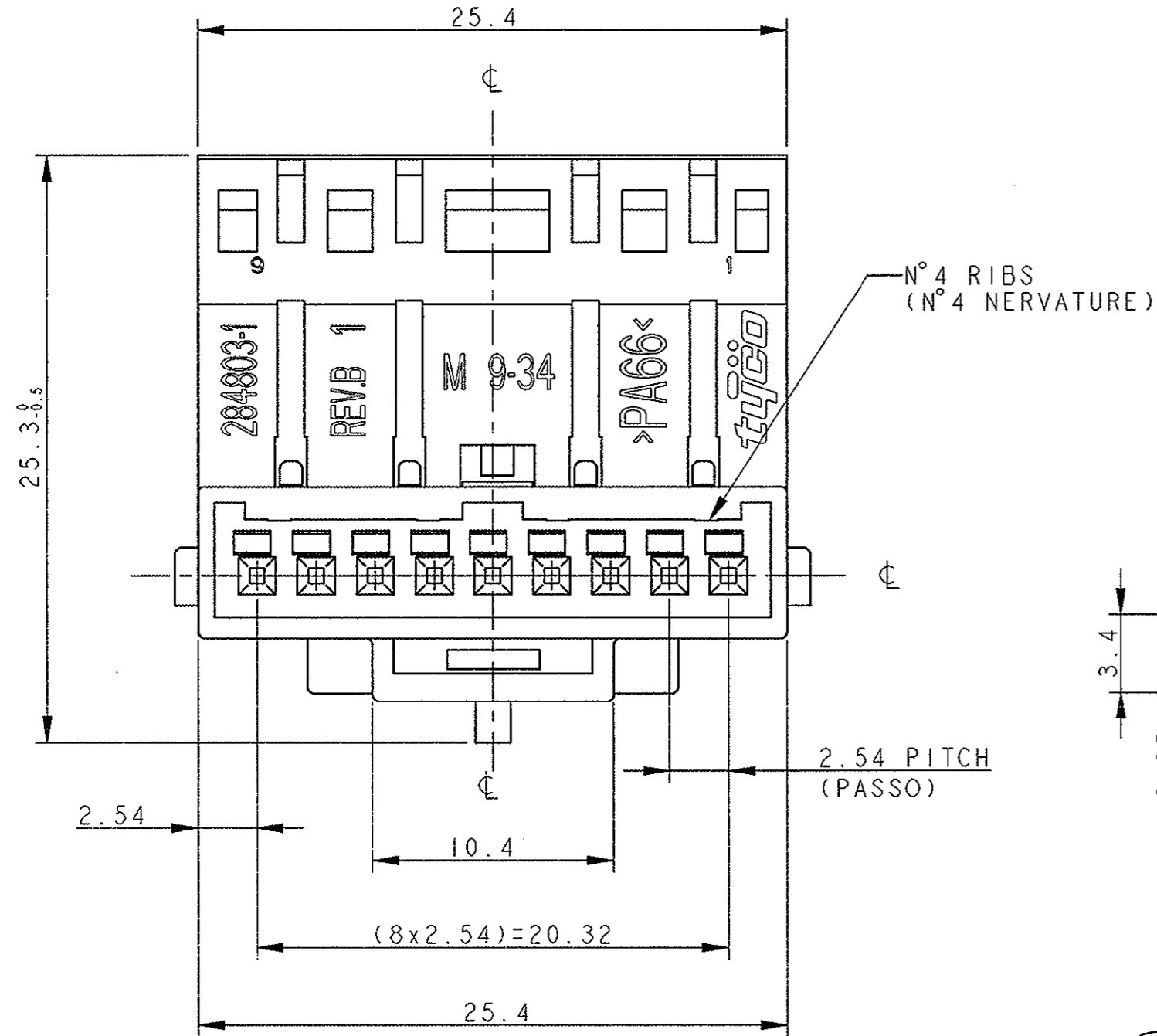


THIS DRAWING IS UNPUBLISHED. RELEASED FOR PUBLICATION 2001
 © COPYRIGHT 2001 BY TYCO ELECTRONICS CORPORATION. ALL RIGHTS RESERVED.

LOC	DIST	REVISIONS					
		P	LTR	DESCRIPTION	DATE	DWN	APVD
		0		PRELIMINARY ISSUE (EMISSIONE PRELIMINARE)	20NOV2001	M.P.	O.C.
		A		FIRST ISSUE	5FEB2002	M.P.	O.C.
		A1		UPDATED DRAWING	26FEB2002	M.P.	O.C.
		A2		UPDATED DRAWING (ET00-0139-02)	15JUL2002	M.P.	O.C.
		A3		RELEASED FOR PRODUCTION (ET00-0114-03)	23FEB2004	M.P.	O.C.
		A4		UPDATED DRAWING (ET00-0116-04)	26MAY2004	M.P.	O.C.
		B		UPDATED DRAWING (ET00-0176-04)	02SEP2004	M.P.	O.C.



- 1 MATERIAL : PA66 BLACK COLOR (MATERIALE : PA66 COLORE NERO)
- 2 CAVITIES SUITABLE FOR MICRO QUADLOCK SYSTEM CONTACT P/N 1-928918-1 (0.25-0.5 mm²) AND P/N 963716-1 (0.75 mm²) (CAVITA' ADATTE PER CONTATTO TIPO MICRO QUADLOCK SYSTEM-MQS) P/N 1-928918-1 (0.25-0.5 mm²) e P/N 963716-1 (0.75 mm²)
- 3) CONNECTOR SUITABLE FOR COUNTERPART P/N 968571-1 (CONNETTORE ADATTO PER CONTROPARTE P/N 968571-1)
- 4) CONNECTOR SUPPLIED WITH SECONDARY LOCK IN OPEN POSITION (CONNETTORE FORNITO CON AGGANCIAMENTO SECONDARIO IN POSIZIONE APERTA)

P/N 284803-1 AS SHOWN (COME MOSTRATO)

<small>THIS DRAWING IS A CONTROLLED DOCUMENT FOR TYCO ELECTRONICS CORPORATION IT IS SUBJECT TO CHANGE AND THE CONTROLLING ENGINEERING ORGANIZATION SHOULD BE CONTACTED FOR THE LATEST REVISION.</small>		DWN 20NOV2001 M. POLI 177 CHK 20NOV2001 O. CANUTO APVD 20NOV2001 A. GENTA PRODUCT SPEC	tyco Electronics tyco Electronics AMP Italia C.so Fratelli Cervi, 15 Collegno (To)
DIMENSIONS: mm	TOLERANCES UNLESS OTHERWISE SPECIFIED: 0 PLC ±0.3 1 PLC ±0.3 2 PLC ±0.3 3 PLC ± 4 PLC ± ANGLES ±° FINISH	APPLICATION SPEC WEIGHT CUSTOMER DRAWING	NAME PIN HOUSING 9 POSITIONS MQS (PORTAMASCHI 9 POSIZIONI MQS) SIZE CAGE CODE DRAWING NO RESTRICTED TO A2 00779 C-284803 SCALE 4:1 SHEET i OF i REV B

单击下面可查看定价，库存，交付和生命周期等信息

[>>TE Connectivity\(泰科\)](#)