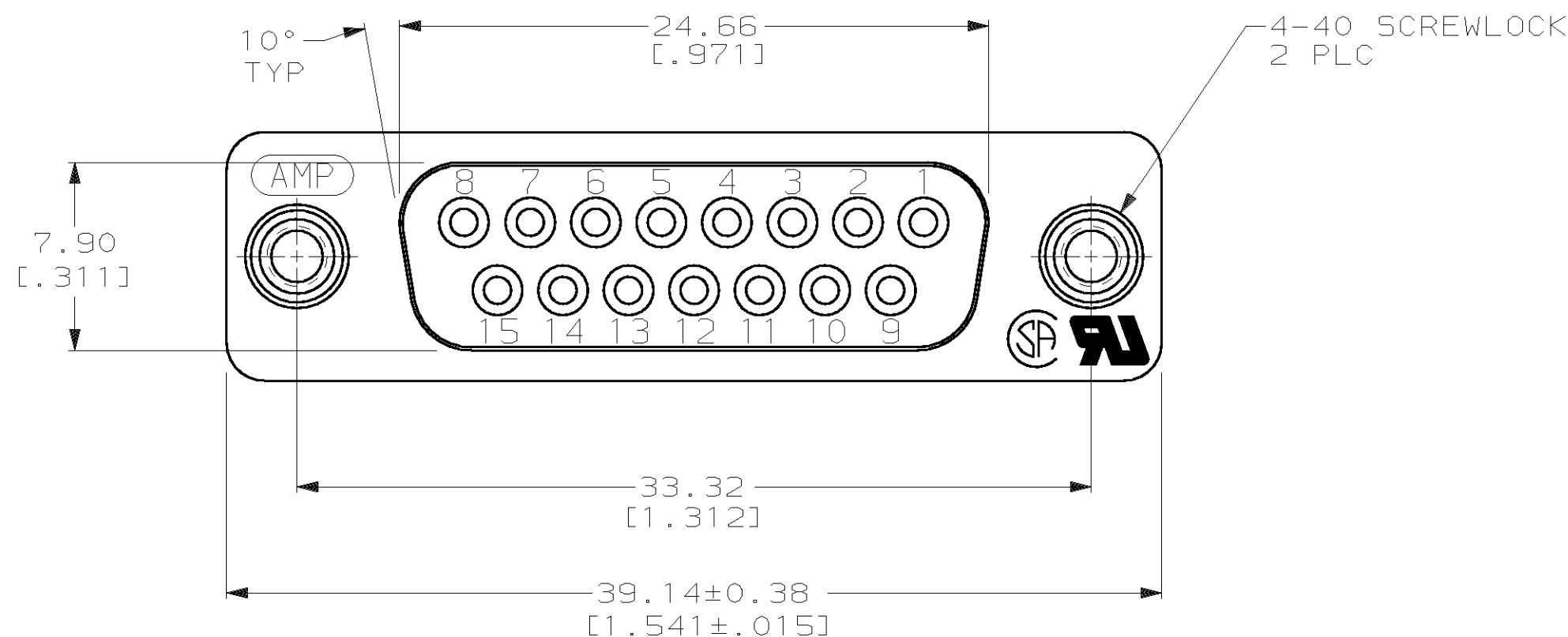
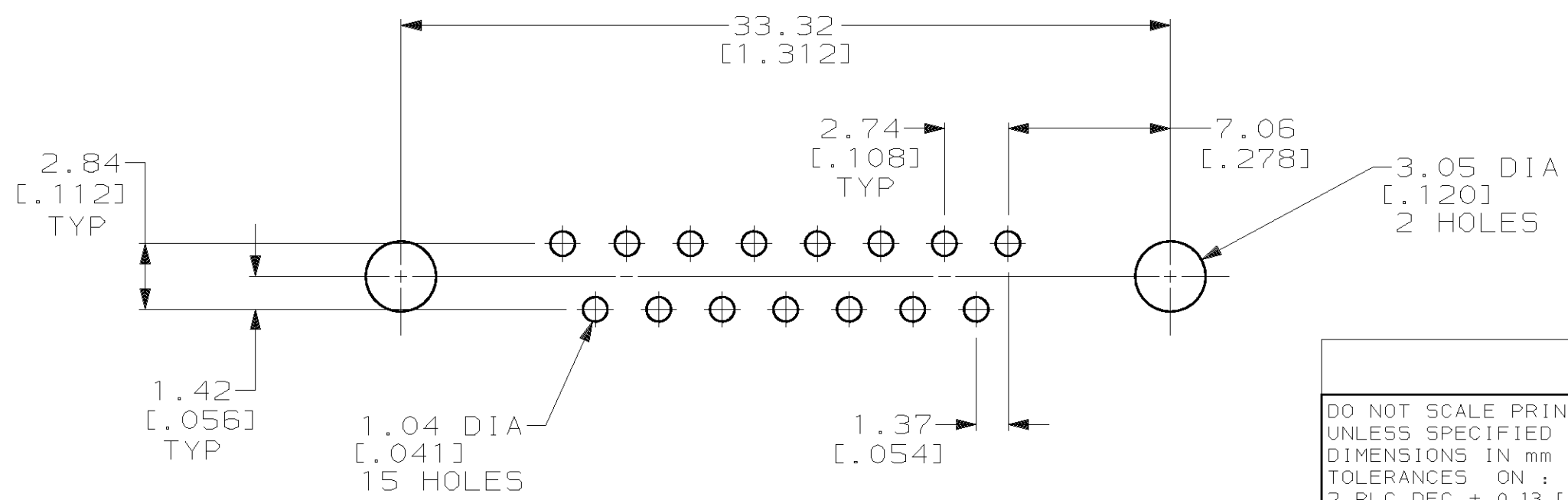
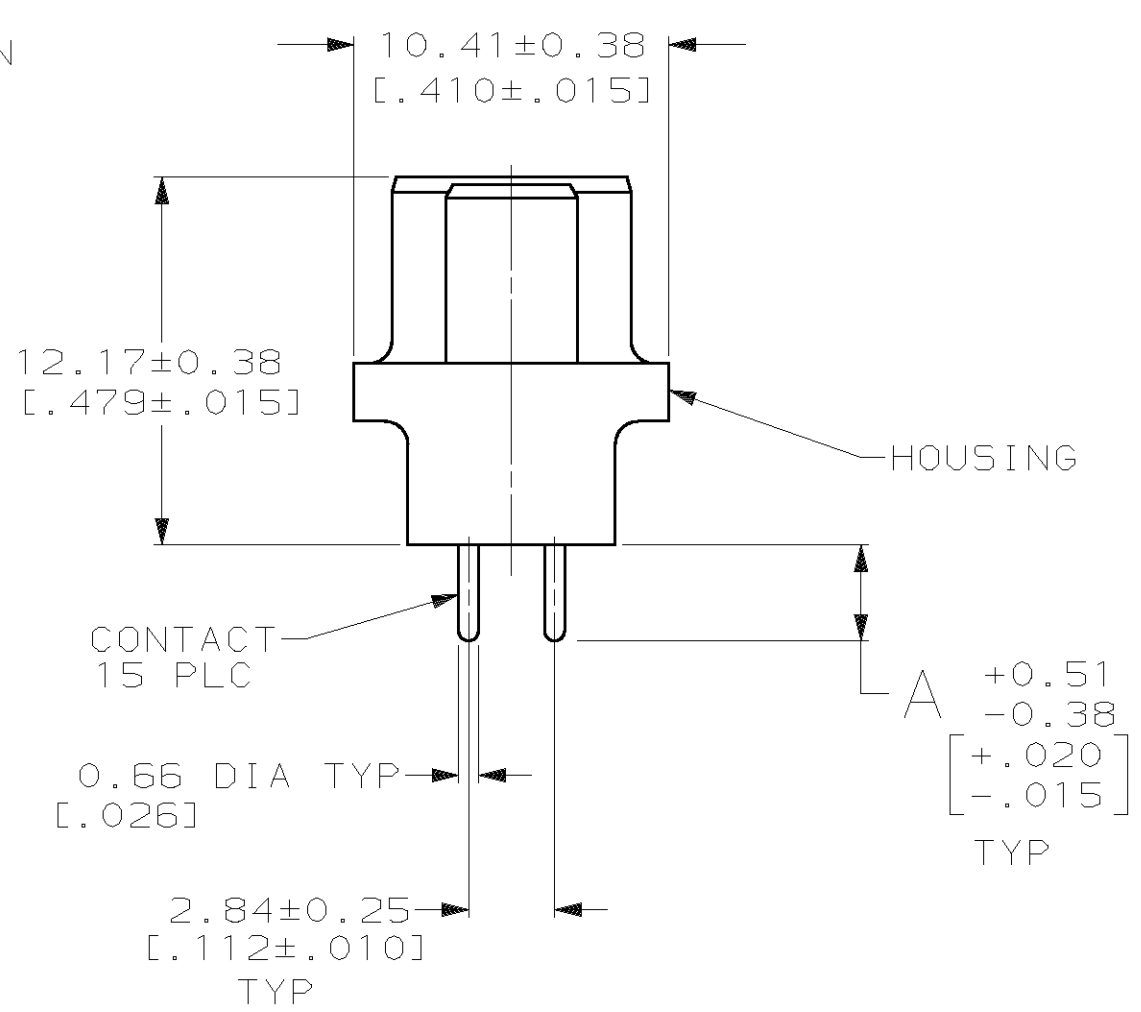
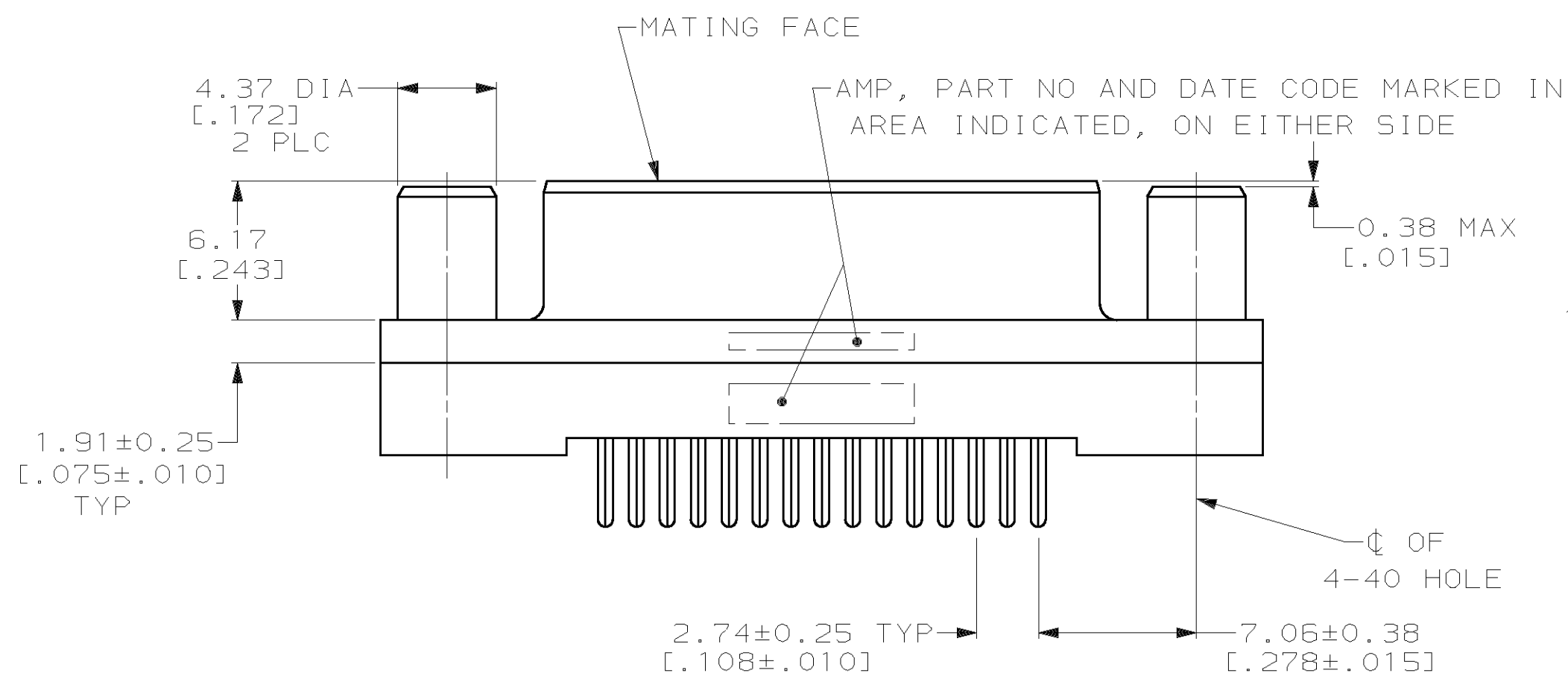


THIS DRAWING IS UNPUBLISHED. RELEASED FOR PUBLICATION ,19 .
 © COPYRIGHT 19 BY AMP INCORPORATED. ALL INTERNATIONAL RIGHTS RESERVED.

LOC		DIST		ZONE		LTR		REVISIONS		DATE	APPD
GP	00	P	F			H		REV PER EC OUE0-0002-01	09 JAN 02	JR	



- ① HOUSING: BLACK POLYESTER, UL 94V-0 RATED; CONTACTS: PHOSPHOR BRONZE PER QQ-B-750; SCREWLOCKS: BRASS PER QQ-B-626.
- ② GOLD PLATING PER MIL-G-45204, TIN PLATING PER MIL-T-10727, NICKEL PLATING PER QQ-N-290, COPPER PLATING PER MIL-C-14550.
- ③ GOLD FLASH FOR A LENGTH OF 2.54 [0.100] MIN FROM MATING END, 2.54µm [0.000100] MIN TIN OR TIN-LEAD FOR A LENGTH OF DIMENSION A FROM OPPOSITE END, ALL OVER 1.27µm [0.000050] MIN NICKEL.
- ④ 0.76µm [0.000030] MIN GOLD FOR A LENGTH OF 2.54 [0.100] MIN FROM MATING END, 2.54µm [0.000100] MIN TIN OR TIN-LEAD FOR A LENGTH OF DIMENSION A FROM OPPOSITE END, ALL OVER 1.27µm [0.000050] MIN NICKEL.
- ⑤ 1.27µm [0.000050] MIN NICKEL OVER COPPER FLASH.



RECOMMENDED PC BOARD MOUNTING DIMENSIONS

STATUS	LENGTH	CONTACT FINISH	PART NO
OBSOLETE	6.35 [0.250]	④	745077-8
SUPERSEDED BY 745077-8	6.35 [0.250]	③	745077-7
	4.32 [0.170]	④	745077-6
OBSOLETE	4.32 [0.170]	③	745077-5
	3.18 [0.125]	④	745077-4
	3.18 [0.125]	③	745077-3
OBSOLETE	3.56 [0.140]	④	745077-2

DO NOT SCALE PRINT. UNLESS SPECIFIED DIMENSIONS IN mm [INCHES] TOLERANCES ON: 2 PLC DEC ± 0.13 [0.005] 3 PLC DEC ± - ANGLES ± 2°		DR 11-16-89 J McCLINTON	
MATERIAL		CHK 2-1-90 R.STONE	
FINISH ②		APPD 2-2-90 S.SCHIEFERLY	
CONTACT: SEE TABLE		APPD 2-2-90 C.ROHDE	
SCREWLOCK: ⑤		PRODUCT SPEC 108-40025	
APPLICATION SPEC -		SIZE C	CAGE CODE 00779
WEIGHT -		SCALE 4:1	DRAWING NO 745077
		SHEET 1 OF 1	

AMP AMP INCORPORATED
Harrisburg, Pa. 17105

NAME RECEPTACLE ASSEMBLY, SIZE 2, 15 POSN, VERTICAL, AMPLIMITE® HD-20

单击下面可查看定价，库存，交付和生命周期等信息

[>>TE Connectivity\(泰科\)](#)