

4

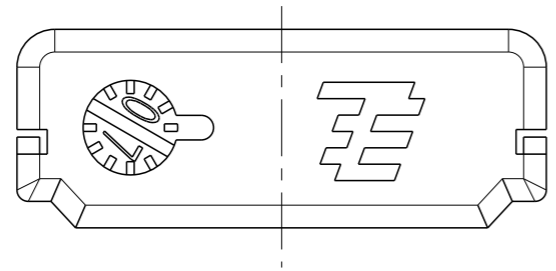
3

2

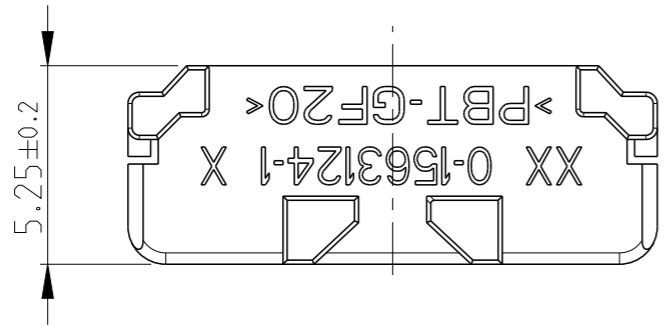
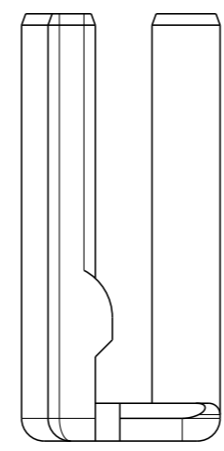
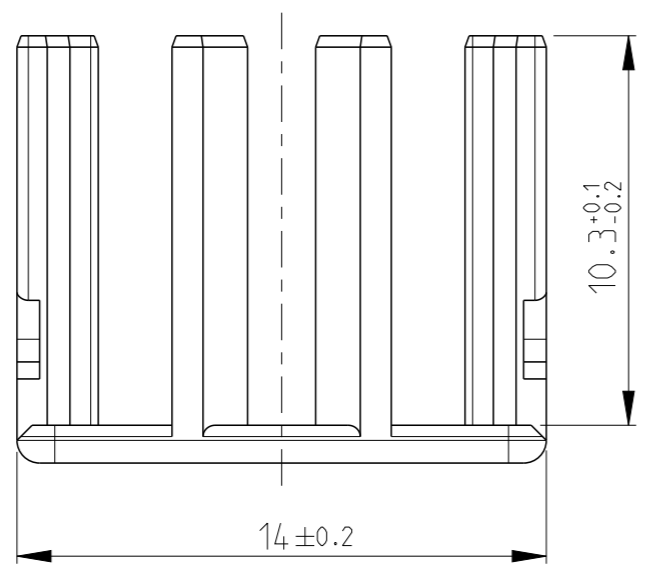
1

THIS DRAWING IS UNPUBLISHED. RELEASED FOR PUBLICATION 2008
 © COPYRIGHT 2008 BY TYCO ELECTRONICS CORPORATION. ALL RIGHTS RESERVED.

LOC	DIST	REVISIONS					
		P	LTR	DESCRIPTION	DATE	DWN	APVD
A1	-		A	NEW DRAWING	30JAN2008	GP	GM
			A1	ECR-17-010498	19JUL2017	KC	PT



1:1



- NOTES:
Bemerkungen:
- DELIVERY CONDITION: LOOSE PIECES
Anlieferungszustand: Teile lose beigelegt
 - MATED WITH TE-PN: 0-1563123-1
Verwendet mit TE-PN: 0-1563123-1
 - MATED WITH TE-PN: 0-2112415-1
Verwendet mit TE-PN: 0-2112415-1

<small>THIS DRAWING IS A CONTROLLED DOCUMENT FOR TYCO ELECTRONICS CORPORATION IT IS SUBJECT TO CHANGE AND THE CONTROLLING ENGINEERING ORGANIZATION SHOULD BE CONTACTED FOR THE LATEST REVISION.</small>		DWN G.PUCKEL 30JAN2008	Tyco Electronics AMP GmbH 64625 Bensheim (Germany)													
DIMENSIONS: mm		CHK K.ROTH 30JAN2008														
<small>TOLERANCES UNLESS OTHERWISE SPECIFIED:</small>		APVD G.MUMPER 30JAN2008	NAME SECONDARY LOCK FOR 10 POS. MIXED RECEPTACLE HOUSING 8 x MCON1.2 AND 2 x MCP2.8													
<table border="0"> <tr> <td>0 PLC</td><td>±0.30</td></tr> <tr> <td>1 PLC</td><td>±0.30</td></tr> <tr> <td>2 PLC</td><td>±0.30</td></tr> <tr> <td>3 PLC</td><td>±</td></tr> <tr> <td>4 PLC</td><td>±</td></tr> <tr> <td>ANGLES</td><td>±2°</td></tr> </table>		0 PLC	±0.30	1 PLC	±0.30	2 PLC	±0.30	3 PLC	±	4 PLC	±	ANGLES	±2°	PRODUCT SPEC -	RESTRICTED TO -	
0 PLC	±0.30															
1 PLC	±0.30															
2 PLC	±0.30															
3 PLC	±															
4 PLC	±															
ANGLES	±2°															
MATERIAL -		APPLICATION SPEC 114-18923 (A1)	SIZE A3	CAGE CODE 00779	DRAWING NO G-1563124											
FINISH -		WEIGHT -	SCALE 5:1		SHEET 1 OF 1											
CUSTOMER DRAWING			REV A1													

单击下面可查看定价，库存，交付和生命周期等信息

[>>TE Connectivity\(泰科\)](#)