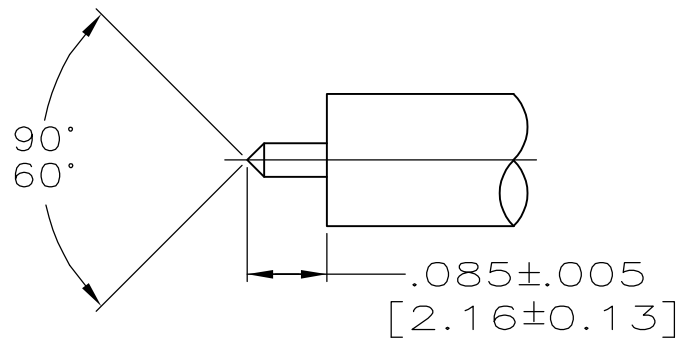
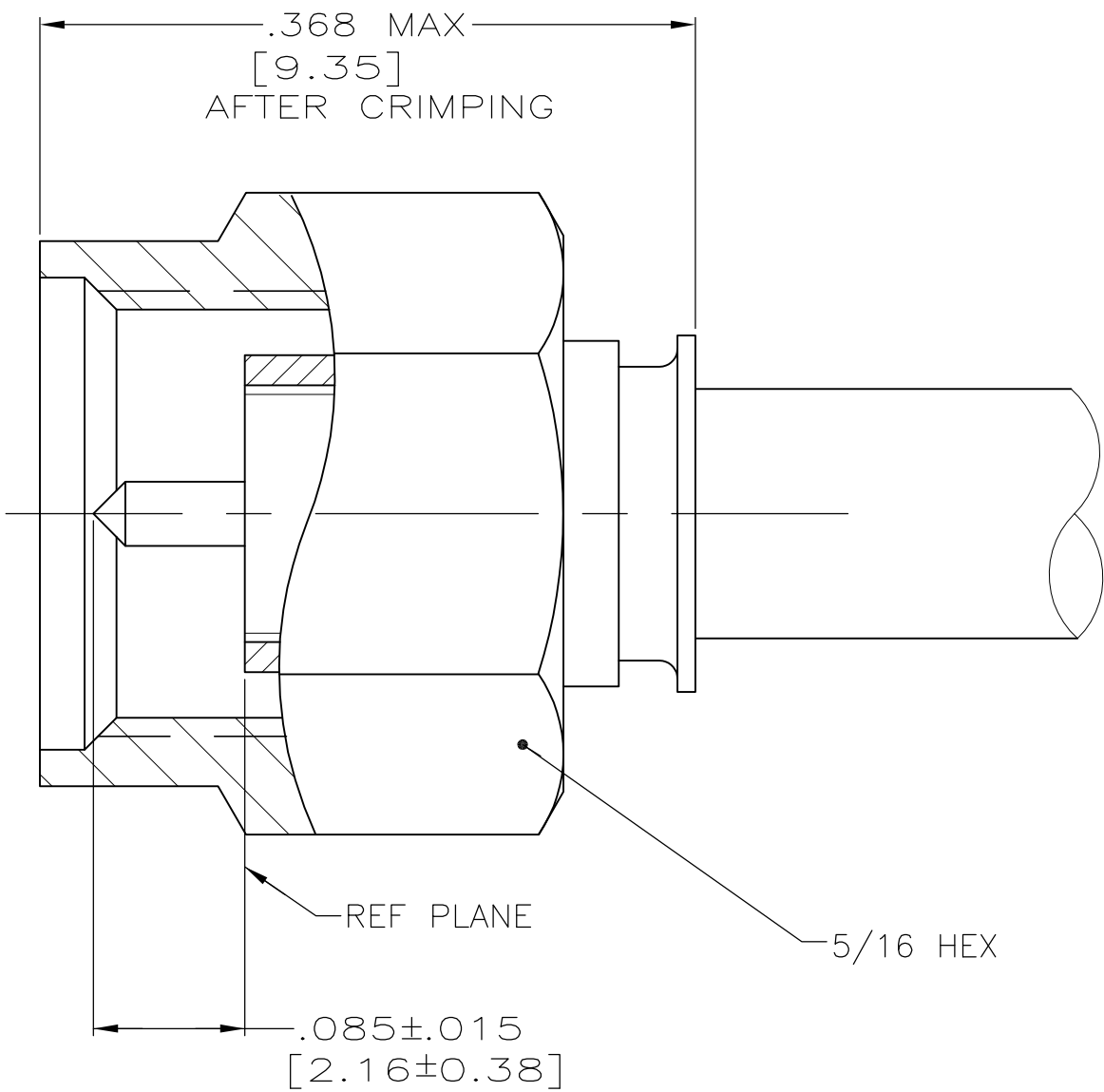
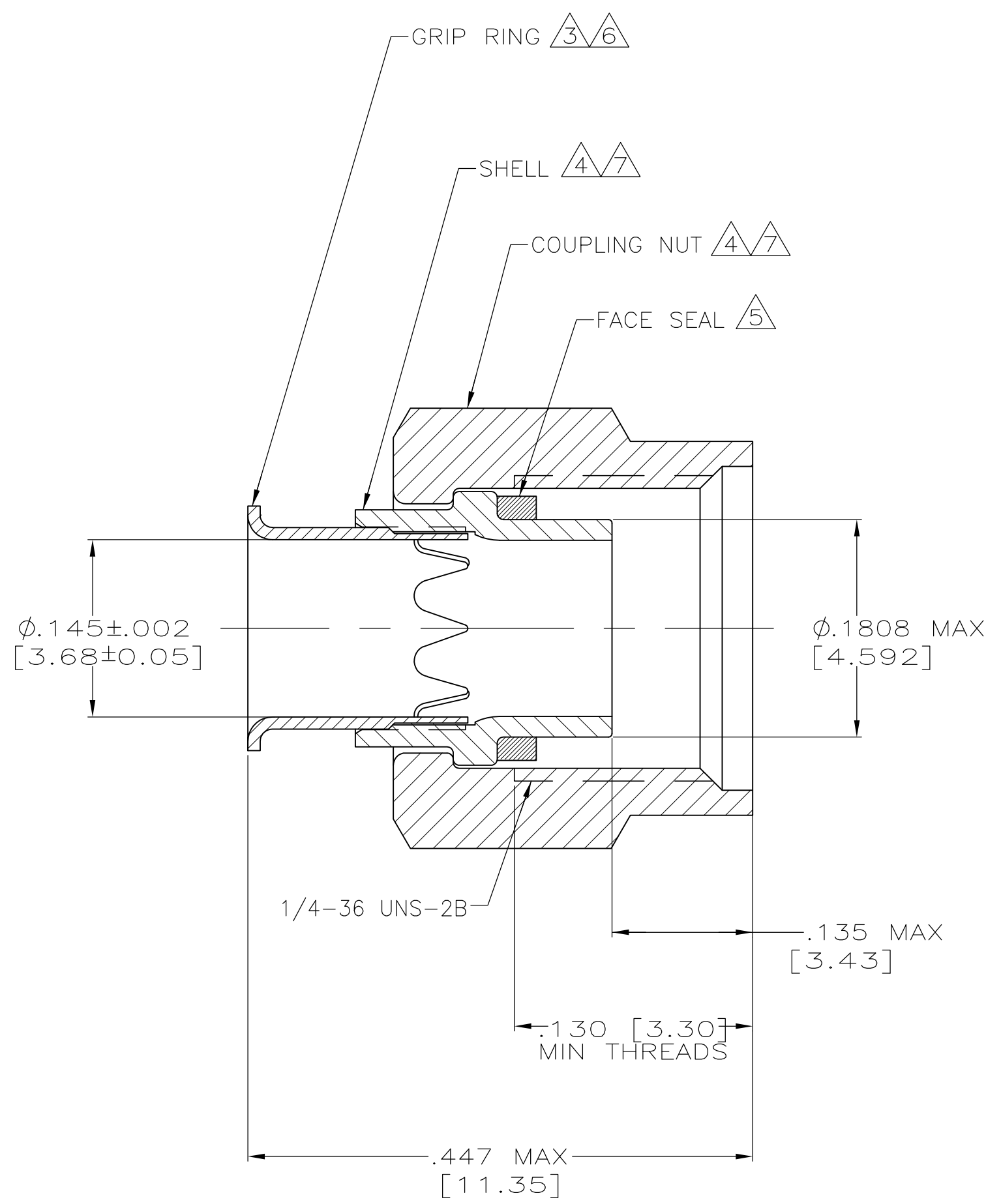


THIS DRAWING IS UNPUBLISHED. RELEASED FOR PUBLICATION  
 © COPYRIGHT - By - ALL RIGHTS RESERVED.

LOC	DIST	REVISIONS			
P	LTR	DESCRIPTION	DATE	DWN	APVD
AJ	16	G1	REVISED PER ECO-11-005030	11MAR11	RK HMR



RECOMMENDED STRIP LENGTH  
SCALE 5:1



- FOR USE WITH RG-402/U, .141 [3.58] SEMI-RIGID CABLE.
- SEE I.S. 6788.
- BRASS PER ASTM-B-36
- STAINLESS STEEL PER ASTM-A-582
- SILICONE RUBBER PER ZZ-R-765
- NICKEL PLATE PER QQ-N-290.
- PASSIVATION PER ASTM A967
- .500 [12.70] MIN LENGTH OF STRAIGHT CABLE REQUIRED TO APPLY THE CONNECTOR.

THIS DRAWING IS A CONTROLLED DOCUMENT.		DWN	C.C.THOMAS	8-2-93		TE Connectivity																		
DIMENSIONS: INCHES[mm]		CHK	J.CABARLO	8-17-93		NAME																		
TOLERANCES UNLESS OTHERWISE SPECIFIED:		APVD	J.CABARLO	8-17-93		PLUG,SERIES SMA,RF																		
<table border="1"> <tr><td>0 PLC</td><td>±</td><td>-</td></tr> <tr><td>1 PLC</td><td>±</td><td>-</td></tr> <tr><td>2 PLC</td><td>±</td><td>-</td></tr> <tr><td>3 PLC</td><td>±</td><td>-</td></tr> <tr><td>4 PLC</td><td>±</td><td>-</td></tr> <tr><td>ANGLES</td><td>±</td><td>-</td></tr> </table>		0 PLC	±	-		1 PLC	±	-	2 PLC	±	-	3 PLC	±	-	4 PLC	±	-	ANGLES	±	-	PRODUCT SPEC	108-12055	DRAWING NO	
0 PLC	±	-																						
1 PLC	±	-																						
2 PLC	±	-																						
3 PLC	±	-																						
4 PLC	±	-																						
ANGLES	±	-																						
MATERIAL SEE CALLOUTS		FINISH	SEE CALLOUTS	WEIGHT	.063 OZ	SIZE	A2																	
				CAGE CODE	00779	DRAWING NO	C=227531-5																	
				RESTRICTED TO	-	SCALE	10:1																	
				SHEET	1 of 1	REV	G1																	

单击下面可查看定价，库存，交付和生命周期等信息

[>>TE Connectivity\(泰科\)](#)