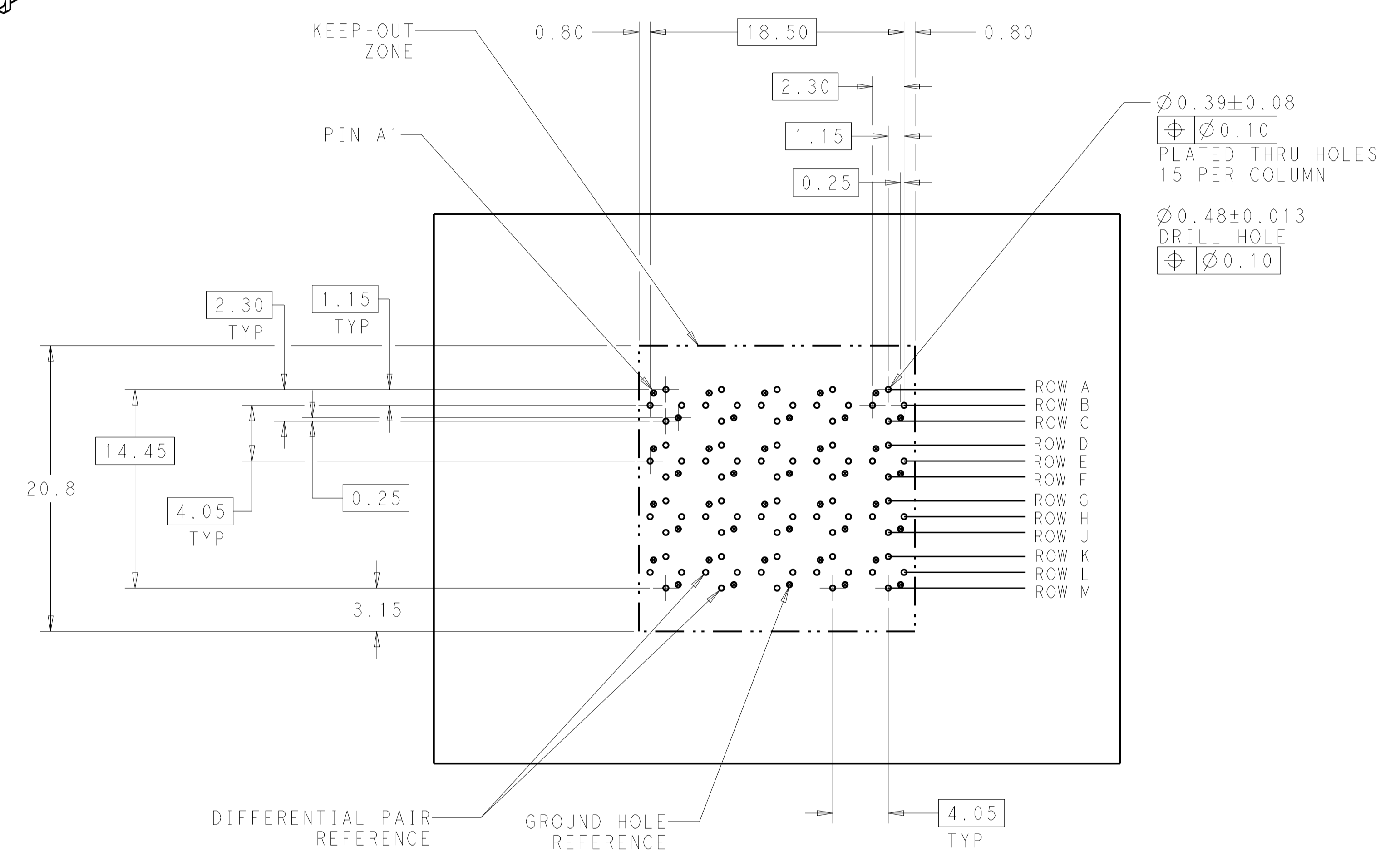
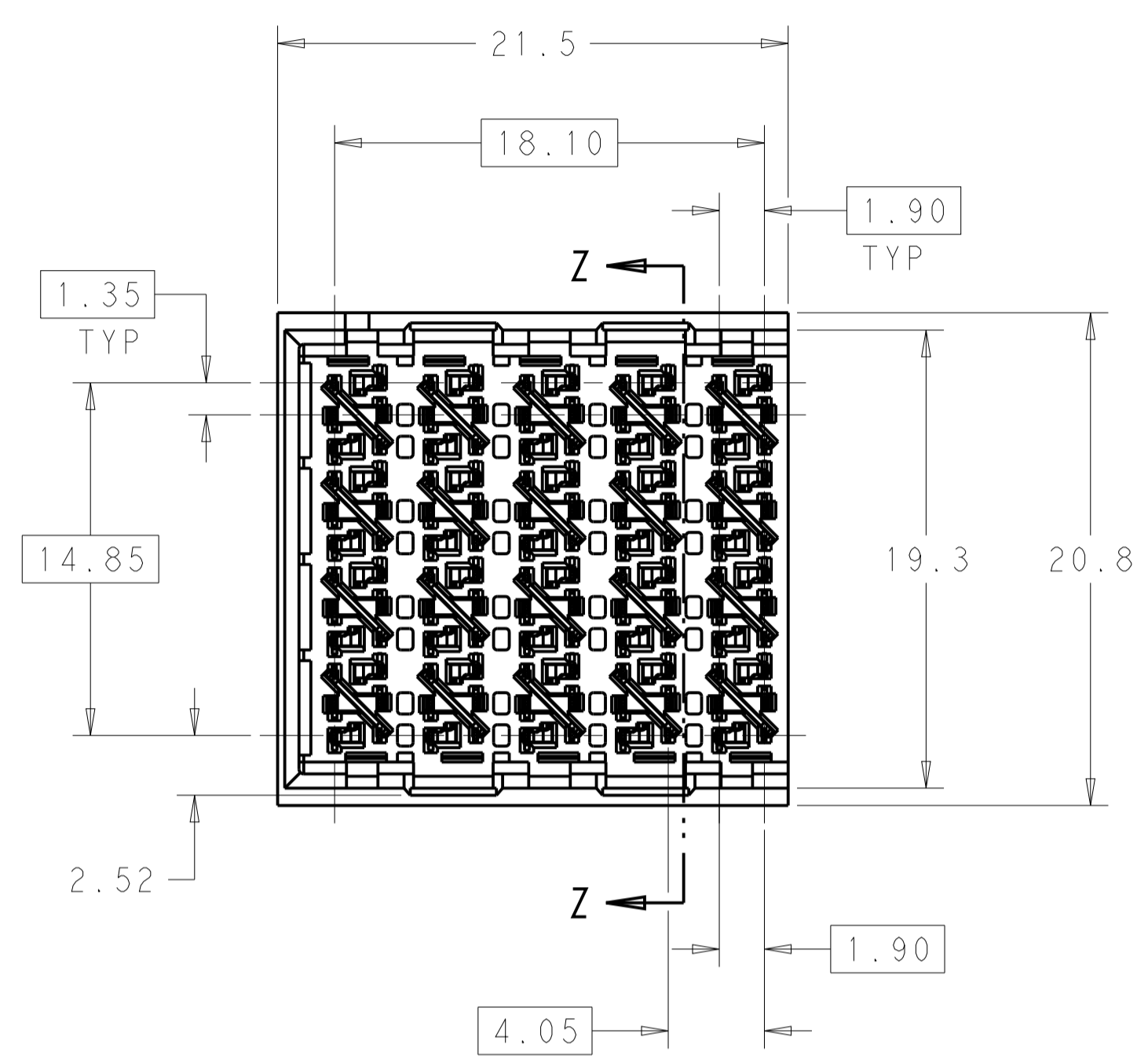
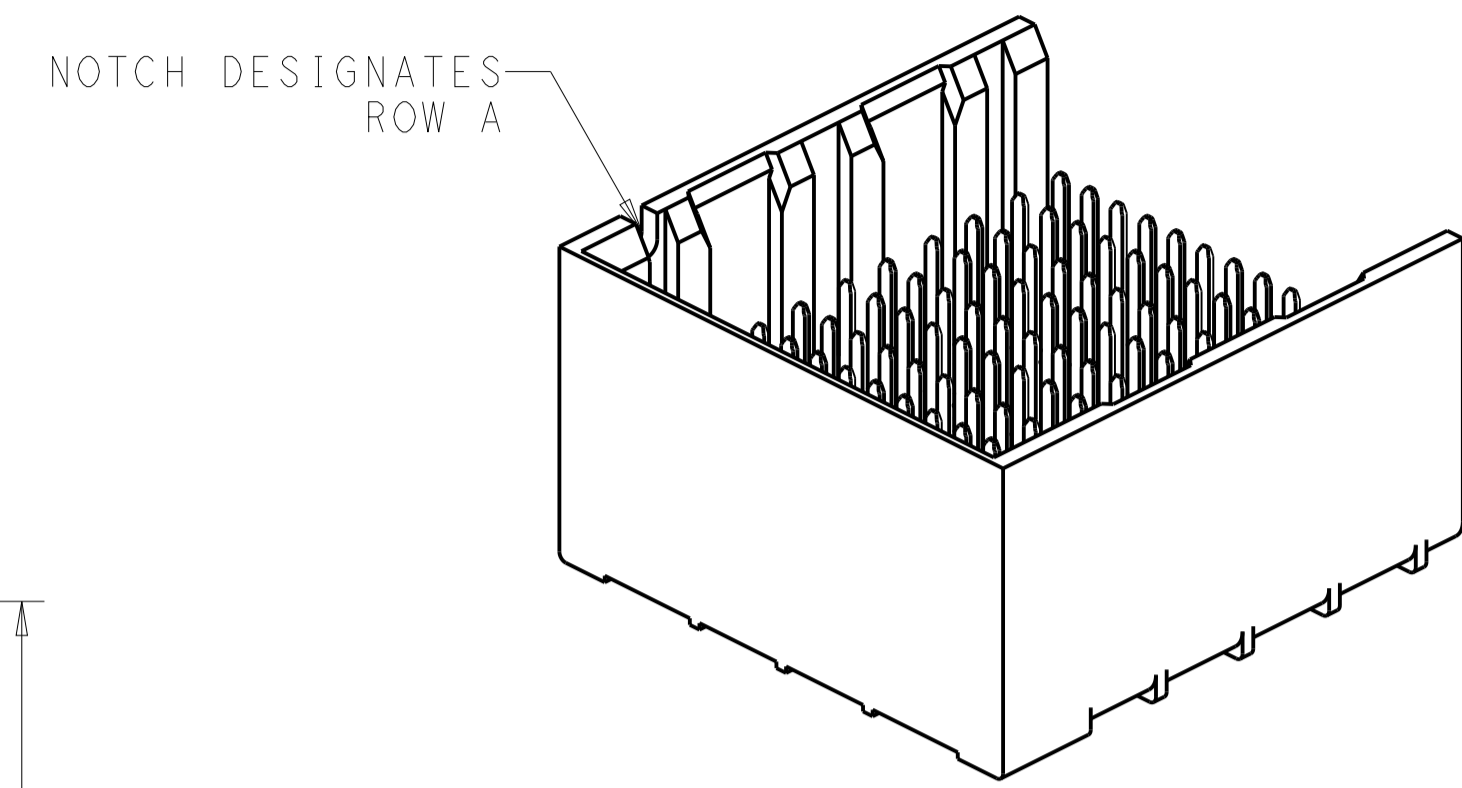


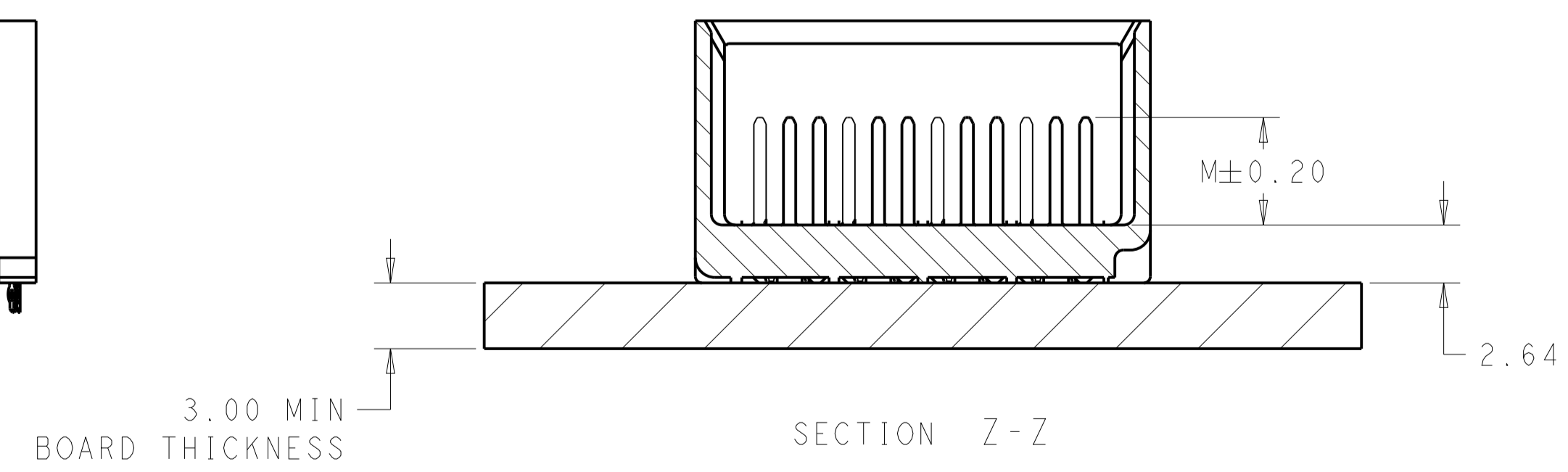
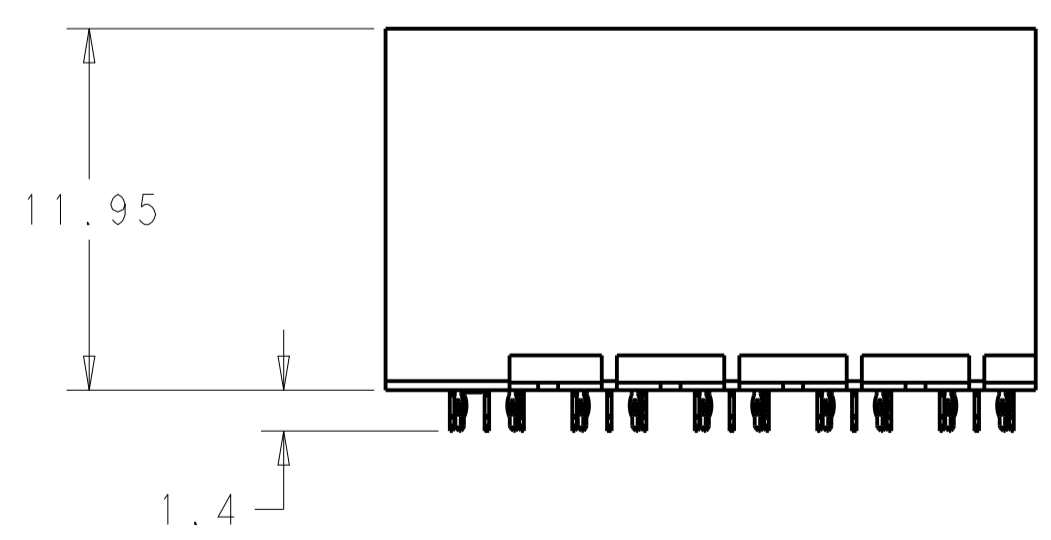
REVISIONS				
P.	LTN.	DESCRIPTION	DATE	APPROV.
C		REVISED PER ECO-14-013271	08SEP2014	AP DD

MATERIAL:
 HOUSING: LCP GLASS FILLED UL94V-0
 TERMINALS: HIGH PERFORMANCE COPPER ALLOY

FINISH:
 30μ" MIN GOLD IN CONTACT AREA
 SELECTIVE TIN ON PCB TAILS.
 NICKEL OVERALL.



LEFT GUIDED
 BACKPLANE HOLE PATTERN
 (CONNECTOR SIDE)
 SCALE 4:1



FINISH	5.5	2132630-2
DIM M	4.9	2132630-1
PART NUMBER		

THIS DRAWING IS A CONTROLLED DOCUMENT.		DWN J. K. SHOBER 13SEP2010	NAME
DIMENSIONS: mm		CHK J. EARY 13SEP2010	IMPACT, ORTHOGONAL, 4 PAIR 10 COLUMN
TOLERANCES UNLESS OTHERWISE SPECIFIED:		APVD J. EARY 13SEP2010	UNGUIDED LEFT END WALL, HEADER ASSEMBLY, 0.39 PTH
0 PLC	±	PRODUCT SPEC	SIZE
1 PLC	±0.25	APPLICATION SPEC	CAGE CODE
2 PLC	±0.13	WEIGHT	DRAWING NO
3 PLC	±	Customer Drawing	RESTRICTED TO
4 PLC	±		
ANGLES	±0		
MATERIAL	SEE TABLE		
FINISH			

单击下面可查看定价，库存，交付和生命周期等信息

[>>TE Connectivity\(泰科\)](#)