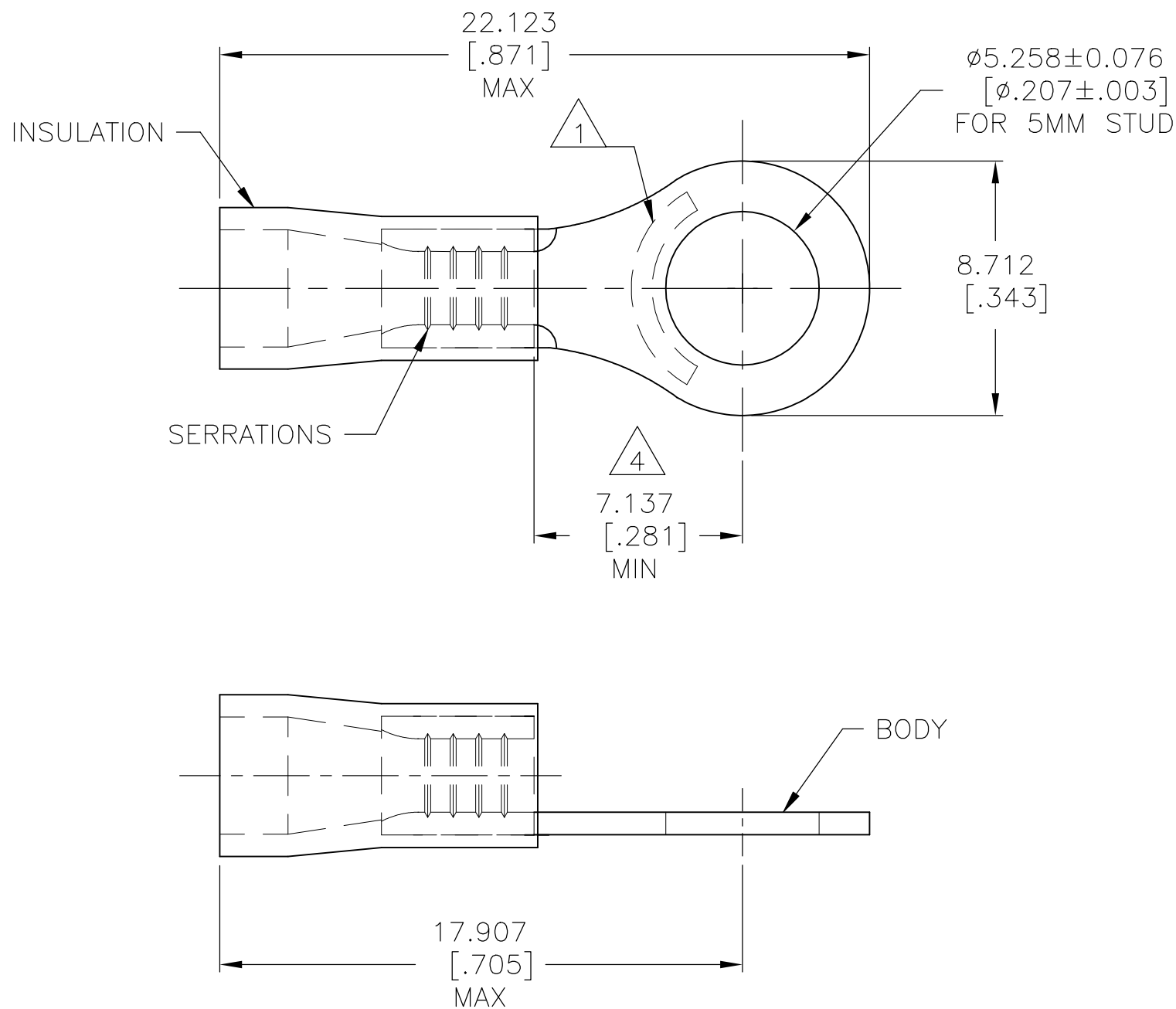


P	LTR	DESCRIPTION	DATE	DWN	APVD
	D	REV PER ECR 05-009599	06DEC05	JR	TM
	D1	REVISED PER ECO-17-014338	15MAY2018	RS	DR



- 1 STAMP AMP 16-14\* APPROX AS SHOWN
- 2 WIRE INSULATION DIA: 2.667-3.683[.105-.145]
- 3 BODY MATERIAL THICKNESS IS 0.787±0.051[.031±.002]
- 4 APPLIES FROM EDGE OF METAL WIRE BARREL TO CENTER OF STUD HOLE
- 5 600 VOLT MAX
- 6 CIRCULAR MIL AREA, 2,050 - 5,180[1.04mm<sup>2</sup>-2.62mm<sup>2</sup>]
- 7 MAXIMUM TEMPERATURE 105°C[221°F]

LOOSE PIECE	1000	130098
PACKAGING	QTY	PART NO

THIS DRAWING IS A CONTROLLED DOCUMENT.		DWN jr_ruth 06DEC05	TE Connectivity Ltd.															
DIMENSIONS: mm [INCHES]		CHK T MICHELUTTI 06DEC05				NAME TERMINAL, RING TONGUE, PLASTI-GRIP, 16-14 AWG												
TOLERANCES UNLESS OTHERWISE SPECIFIED:		APVD T MICHELUTTI 06DEC05	PRODUCT SPEC UL 486 A-B															
<table border="0"> <tr><td>0 PLC</td><td>± -</td></tr> <tr><td>1 PLC</td><td>± -</td></tr> <tr><td>2 PLC</td><td>± -</td></tr> <tr><td>3 PLC</td><td>± 0.127[.005]</td></tr> <tr><td>4 PLC</td><td>± -</td></tr> <tr><td>ANGLES</td><td>± 1°</td></tr> </table>		0 PLC	± -	1 PLC	± -	2 PLC	± -	3 PLC	± 0.127[.005]	4 PLC	± -	ANGLES	± 1°	APPLICATION SPEC 114-2161	SIZE A3	CAGE CODE 00779	DRAWING NO C-130098	RESTRICTED TO -
0 PLC	± -																	
1 PLC	± -																	
2 PLC	± -																	
3 PLC	± 0.127[.005]																	
4 PLC	± -																	
ANGLES	± 1°																	
MATERIAL BODY: COPPER PER ASTM B152 INSULATION: PVC		FINISH BODY: TIN PLATE PER ASTM B545 INSULATION: COLOR - BLUE	WEIGHT		SCALE 5:1 SHEET 1 OF 1 REV D1													
CUSTOMER DRAWING																		

单击下面可查看定价，库存，交付和生命周期等信息

[>>TE Connectivity\(泰科\)](#)