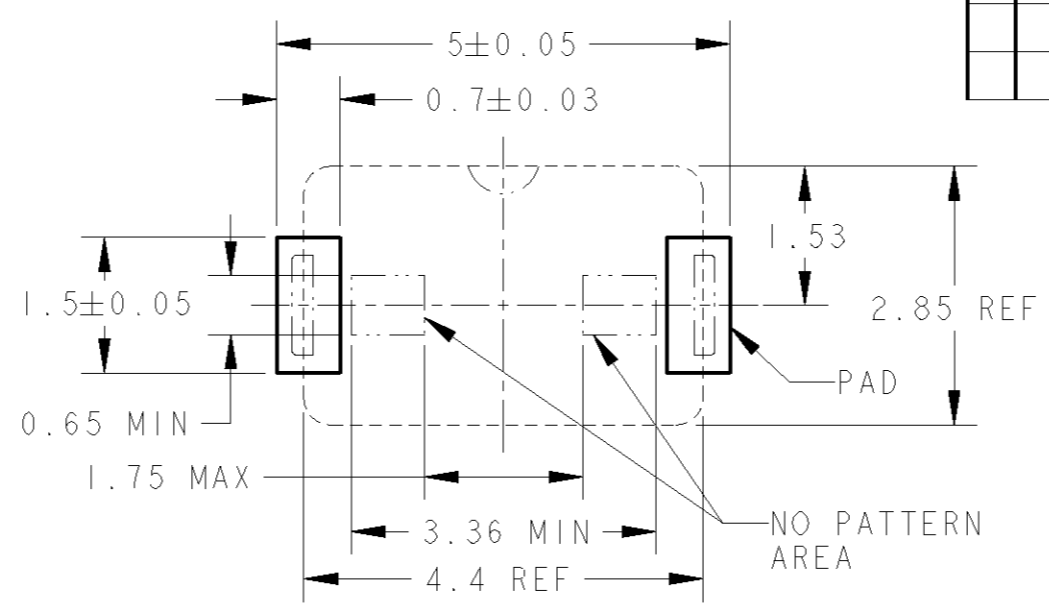
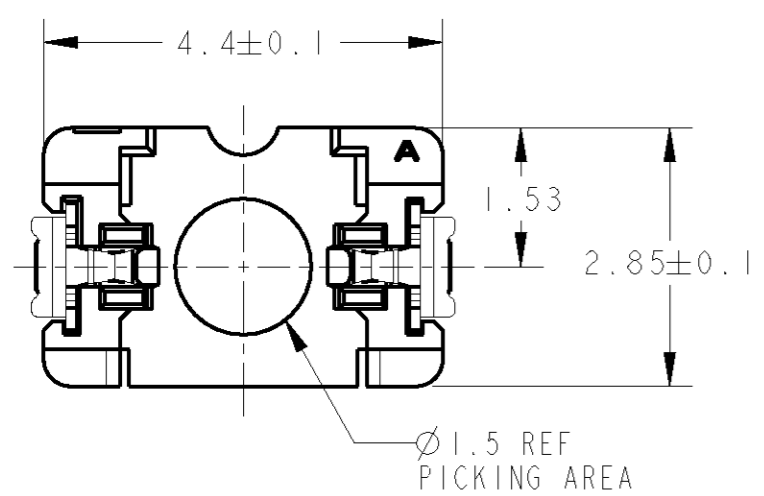


THIS DRAWING IS UNPUBLISHED. RELEASED FOR PUBLICATION 2009
 © COPYRIGHT 2009 BY TYCO ELECTRONICS CORPORATION. ALL RIGHTS RESERVED.

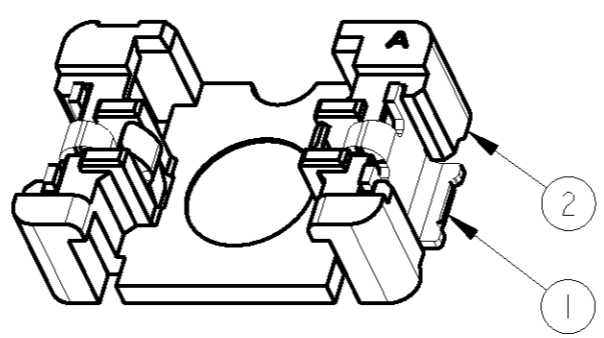
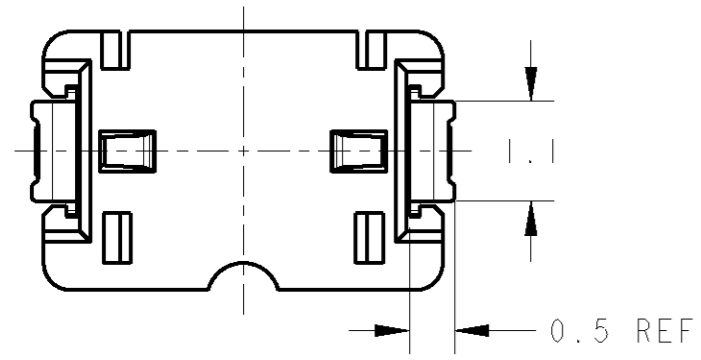
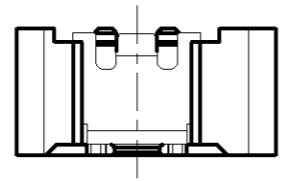
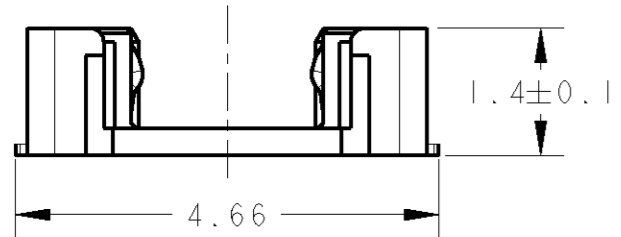
LOC	DIST	REVISIONS			
P	LTR	DESCRIPTION	DATE	DWN	APVD
J	-	A	RELEASED	23APR2009	R.T Y.N



-1:本図
-1:AS SHOWN

↓ CONNECTED WIRE DRAWS THIS DIRECTION

REFERENCE PC BOARD LAYOUT
TOP VIEW, SCALE 12:1



- NOTE
1. MATERIAL AND FINISH: SEE TABLE
 2. COPLANARITY: 0.10 MAX, BASED ON THE FLOATING TERMINAL FROM FLAT SURFACE.
 3. RECOMMENDED THICKNESS OF METAL MASK FOR SOLDERING: 0.100mm MIN. ALSO ADD RECOMMEND THAT HOLE-DIMENSION ON MASK MEETS 100% TO REFERENCE PC BOARD LAYOUT.

MATERIAL, FINISH	DESCRIPTION	ITEM
THERMO PLASTIC (LCP), HALOGEN FREE MATERIAL	HOUSING	②
PBR, ALL SURFACE: Ni UNDER PLATING, 1.3µm MIN CONTACT AREA: Au PLATING, 0.3µm MIN SOLDERING AREA: Au FLASH PLATING, 0.05 TO 0.2µm	CONTACT	①

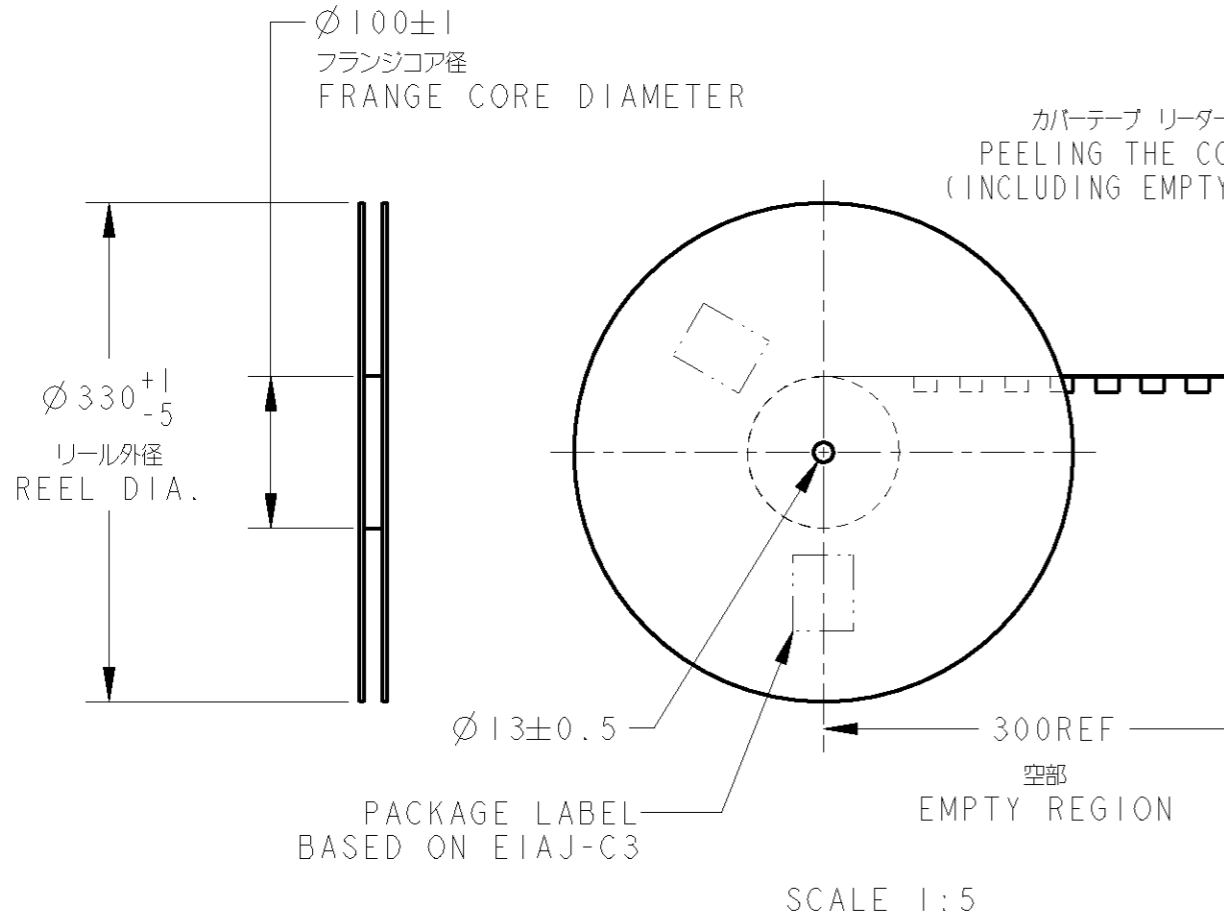
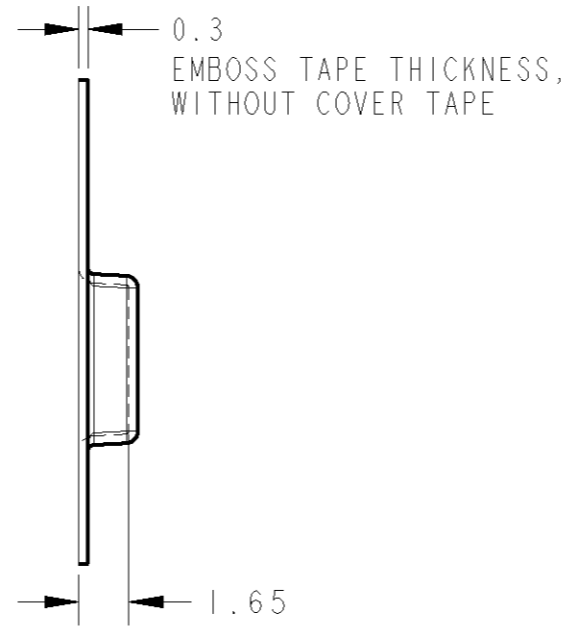
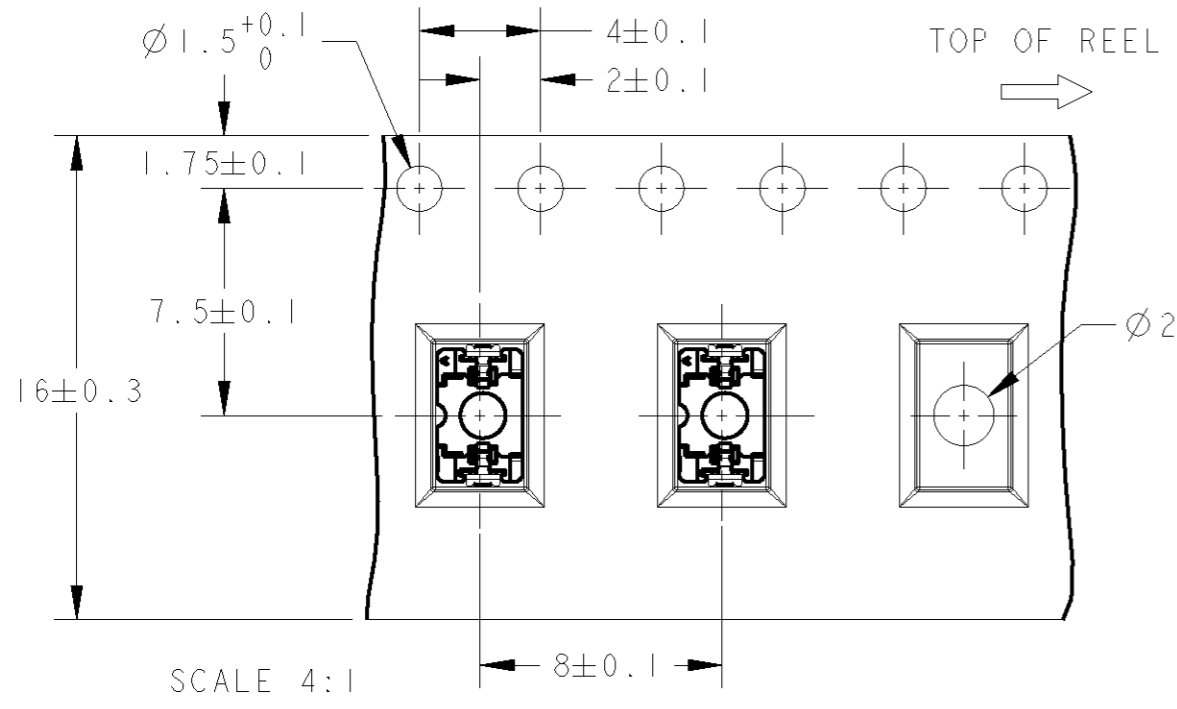
NOTICE:
THIS DRAWING INCLUDES TYCO ELECTRONICS CONFIDENTIAL OR PROPRIETARY INFORMATION THAT MAY ALSO BE LEGALLY PRIVILEGED.

DIMENSIONS: mm		TOLERANCES UNLESS OTHERWISE SPECIFIED:	
0 PLC	±0.2	1 PLC	±0.15
2 PLC	±0.1	3 PLC	±0.1
4 PLC	±0.1	ANGLES	±5
MATERIAL	SEE TABLE	FINISH	SEE TABLE

DWN R.TANAKA 23APR2009	Tyco Electronics AMP K.K. Kawasaki, Japan	
CHK C.OHASHI 23APR2009	NAME	
APVD Y.NAKAZAWA 23APR2009	MICRO SLP CONNECTOR 0.8mm PITCH BOARD CONNECTOR ACTIVE LOCK TYPE	
PRODUCT SPEC 108-78466	SIZE A3	CAGE CODE 00779
APPLICATION SPEC 114-5426	DRAWING NO C=1554199	RESTRICTED TO -
WEIGHT 0.018g	CUSTOMER DRAWING	SCALE 12:1 SHEET 1 OF 2 REV A

THIS DRAWING IS UNPUBLISHED. RELEASED FOR PUBLICATION 2009
 © COPYRIGHT 2009 BY TYCO ELECTRONICS CORPORATION. ALL RIGHTS RESERVED.

LOC	DIST	REVISIONS			
P	LTR	DESCRIPTION	DATE	DWN	APVD
J	-	SEE SHEET 1	-	-	-



NOTICE:
THIS DRAWING INCLUDES TYCO ELECTRONICS CONFIDENTIAL OR
PROPRIETARY INFORMATION THAT MAY ALSO BE LEGALLY PRIVILEGED.

THIS DRAWING IS A CONTROLLED DOCUMENT FOR TYCO ELECTRONICS CORPORATION IT IS SUBJECT TO CHANGE AND THE CONTROLLING ENGINEERING ORGANIZATION SHOULD BE CONTACTED FOR THE LATEST REVISION.		DWN R. TANAKA 23APR2009	Tyco Electronics Tyco Electronics AMP K.K. Kawasaki, Japan	
DIMENSIONS: mm		CHK C. OHASHI 23APR2009	NAME MICRO SLP CONNECTOR 0.8mm PITCH BOARD CONNECTOR ACTIVE LOCK TYPE	
TOLERANCES UNLESS OTHERWISE SPECIFIED: 0 PLC ±0.2 1 PLC ±0.15 2 PLC ±0.1 3 PLC ±0.1 4 PLC ±0.1 ANGLES ±5		APVD Y. NAKAZAWA 23APR2009	RESTRICTED TO	
MATERIAL -		PRODUCT SPEC -	SIZE A3	CAGE CODE 00779
FINISH -		APPLICATION SPEC -	DRAWING NO C=1554199	
		WEIGHT -	SCALE 4:1 SHEET 2 OF 2 REV A	
		CUSTOMER DRAWING		

单击下面可查看定价，库存，交付和生命周期等信息

[>>TE Connectivity\(泰科\)](#)