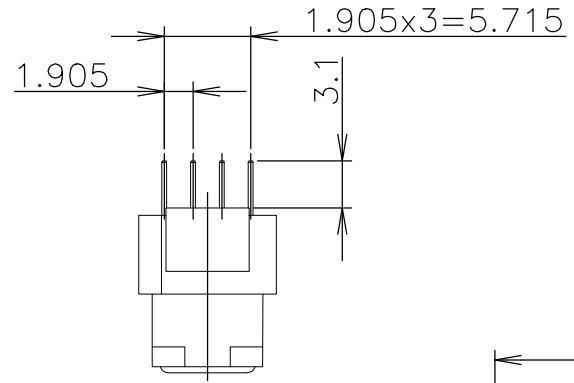
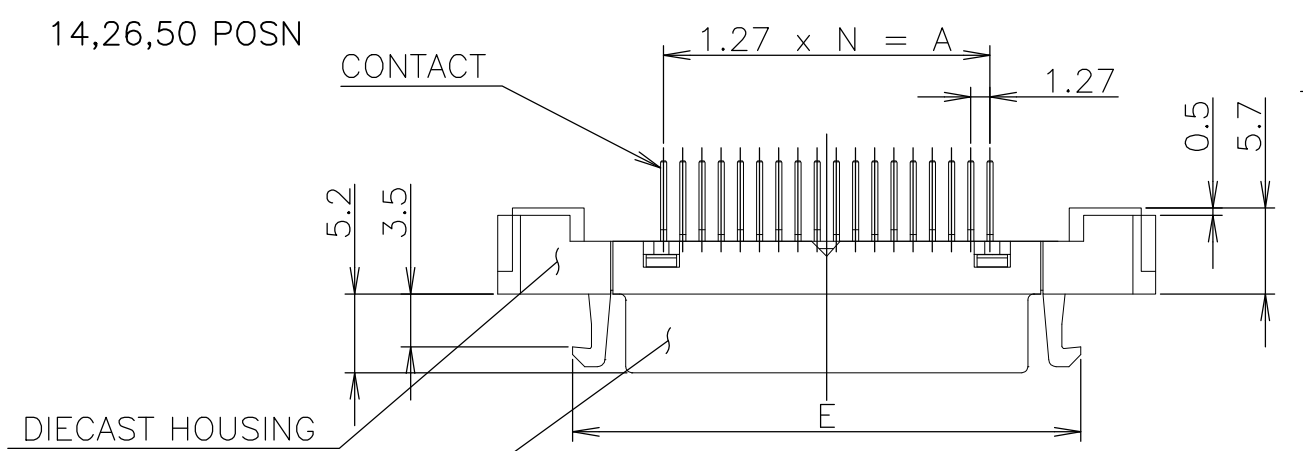
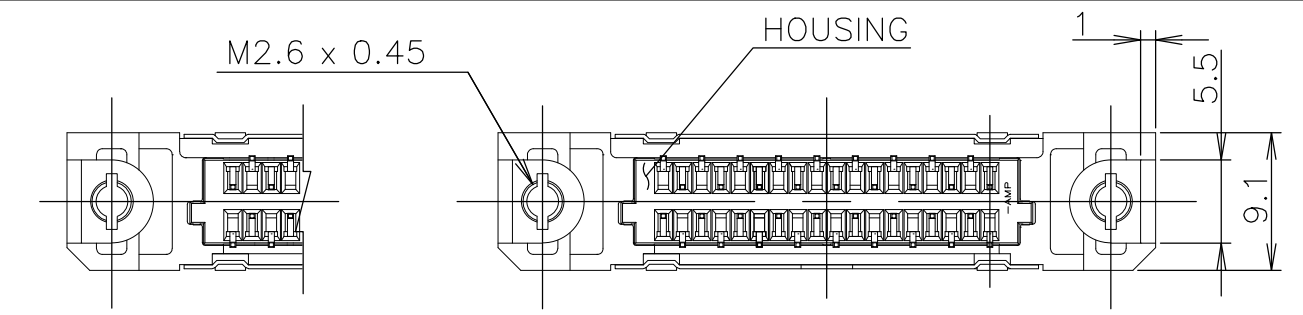


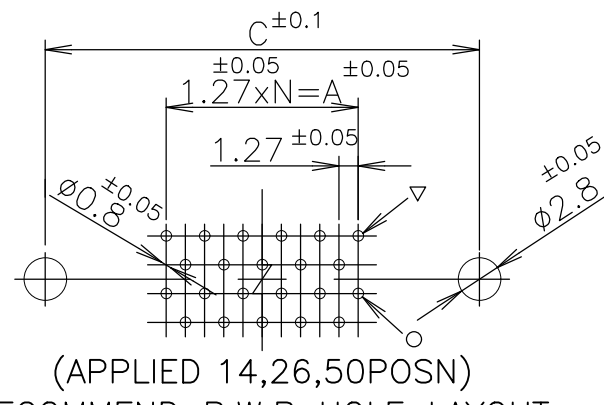
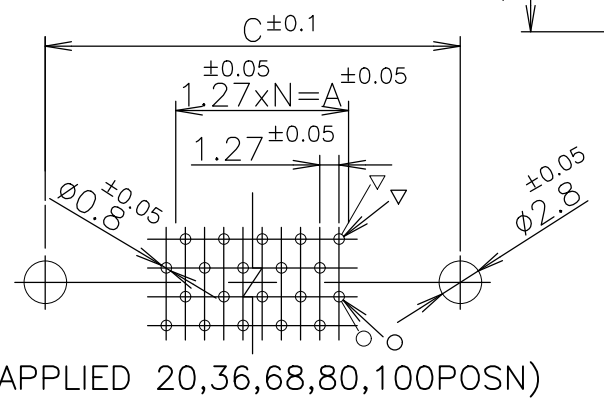
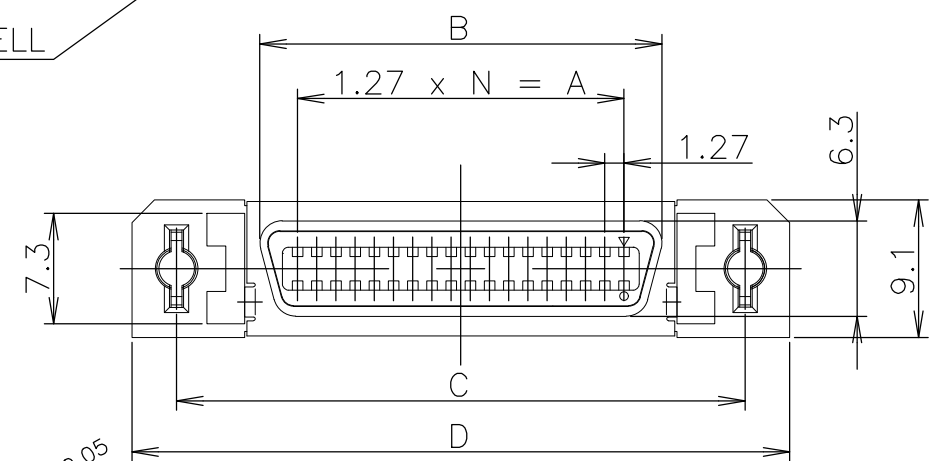
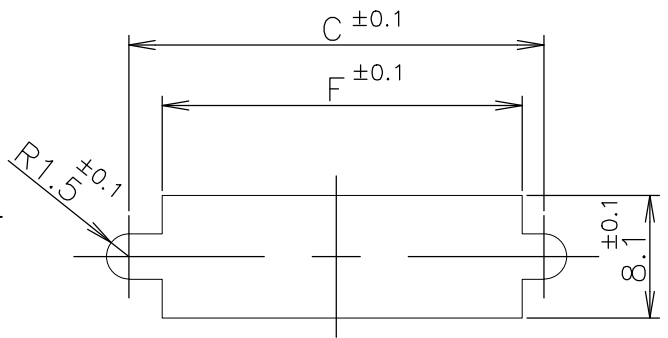
THIS DRAWING IS UNPUBLISHED. RELEASED FOR PUBLICATION .SEP 2004
 © COPYRIGHT 2004 By - ALL RIGHTS RESERVED.

REVISIONS					
P	LTR	DESCRIPTION	DATE	DWN	APVD
	R	REVISED PER ECO-17-008763	23JAN2018	RG	SH

- 1 USED SCREW SIZE; M2.6 PANHEAD SCREW.
- 2 CONNECTOR TO BE MATED; 175677,517571
- △ MATERIAL AND FINISH;
 - * CONTACT; PHOS-BRONZE
FINISH: Au PLATING OVER Ni UNDER PLATING ON CONTACT AREA.
TIN PLATING OVER Ni UNDER PLATING ON SOLDER TINE AREA.
 - * METAL SHELL: STEEL
FINISH: Ni PLATING OVER COPPER UNDER PLATING.
 - * DIECAST HOUSING; ZINC
FINISH: Ni PLATING OVER COPPER UNDER PLATING.
 - * HOUSING; THERMOPLASTIC, UL94V-0, BLACK
- 4 RECOMMEND P.W.B THICKNESS; 1.6mm



PANEL CUTOUT (THK; 2mm MAX.) FIG-2



RECOMMEND P.W.B HOLE LAYOUT (CONNECTOR MOUNTING SIDE) FIG-1

LEAD FREE

POSN	39	49	33	24	17	12	9	6	39	49	33	24	17	12	9	6	POSN	PART NO.							
0.00076	61.90	74.60	54.20	42.80	33.90	27.60	23.80	19.90	61.90	74.60	54.20	42.80	33.90	27.60	23.80	19.90	3-5175887-0	2-5175887-9	2-5175887-8	2-5175887-7	2-5175887-5	2-5175887-4	2-5175887-2	2-5175887-1	
0.0003	61.55	74.25	53.93	42.50	33.61	27.26	23.45	19.64	61.55	74.25	53.93	42.50	33.61	27.26	23.45	19.64	1-5175887-0	5175887-9	5175887-8	5175887-7	5175887-5	5175887-4	5175887-2	5175887-1	
AU PLATING	N	F	E	D	C	B	A																		

THIS DRAWING IS A CONTROLLED DOCUMENT.

DIMENSIONS: mm

TOLERANCES UNLESS OTHERWISE SPECIFIED:
 0 PLC ± 0.2
 1 PLC ± 0.2
 2 PLC ± 0.2
 3 PLC ± 0.2
 4 PLC ± 0.2
 ANGLES ± 3°

MATERIAL: SEE NOTE 3

FINISH: SEE NOTE 3

DWN: COREL WANG 01SEP04
 CHK: STEVEN YAO 01SEP04
 APVD: I.ENOMOTO 01SEP04

NAME: REC HEADER ASSY, VERTICAL
 CHAMP .050 SERIES (II) STD-TYPE (M2.6)

PRODUCT SPEC: 108-60043

APPLICATION SPEC:

WEIGHT: 0.000000

SIZE: A3 CAGE CODE: 00779 DRAWING NO: C-5175887 RESTRICTED TO:

CUSTOMER DRAWING SCALE: 2:1 SHEET: 1 OF 1 REV: R

单击下面可查看定价，库存，交付和生命周期等信息

[>>TE Connectivity\(泰科\)](#)