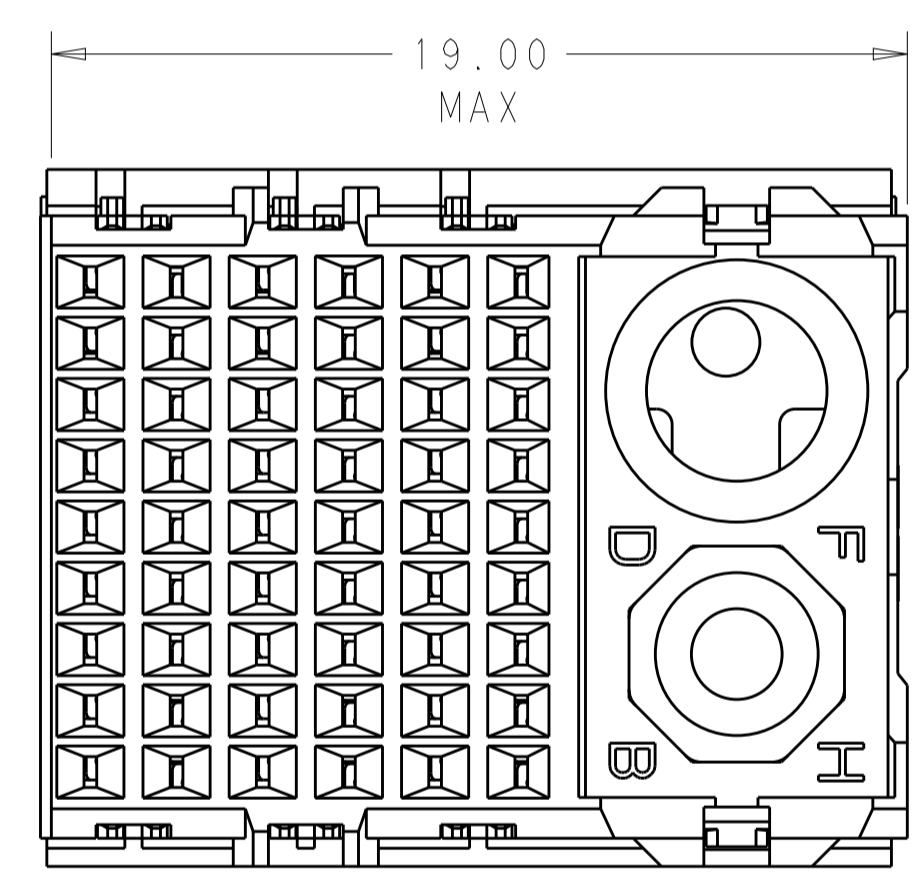
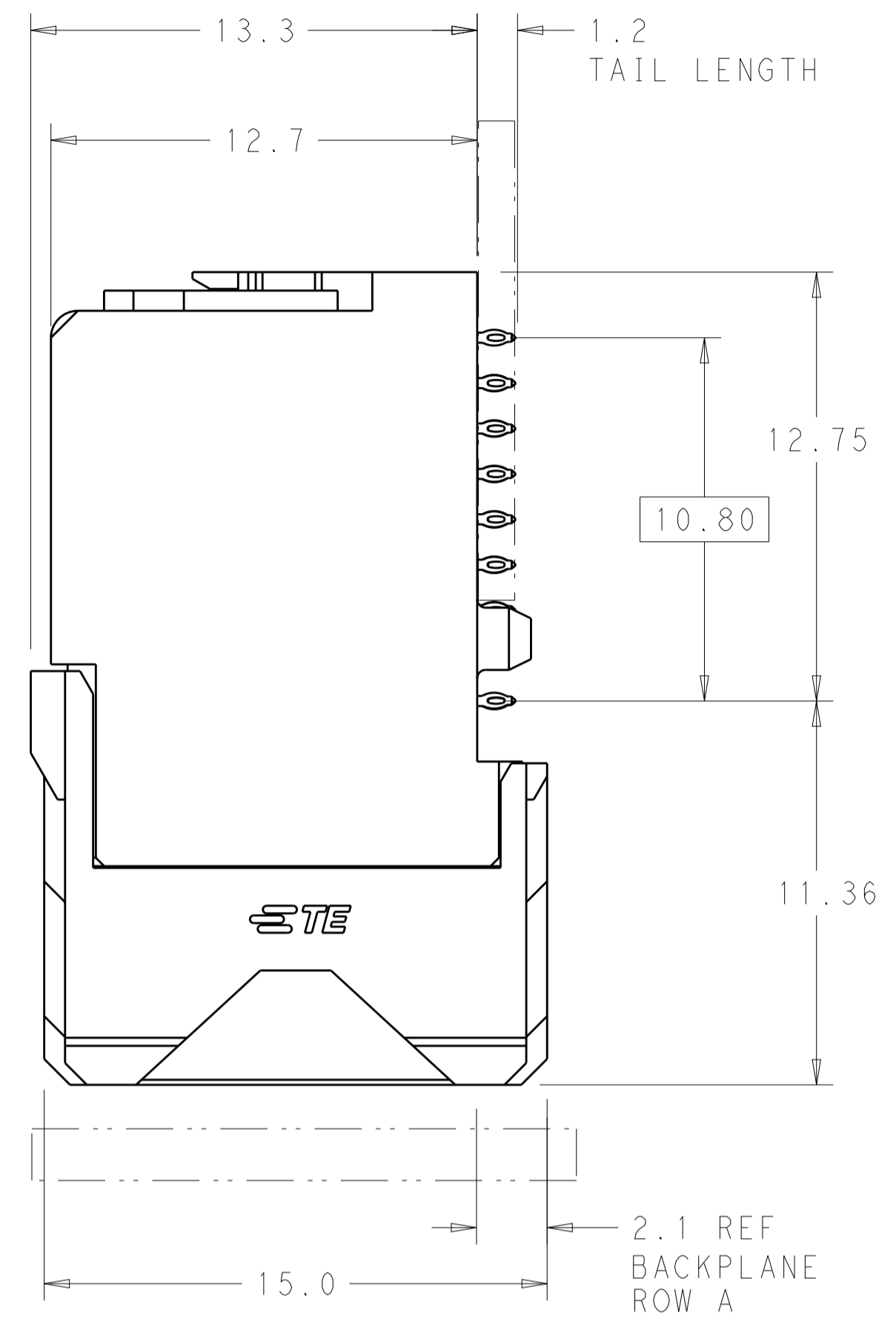
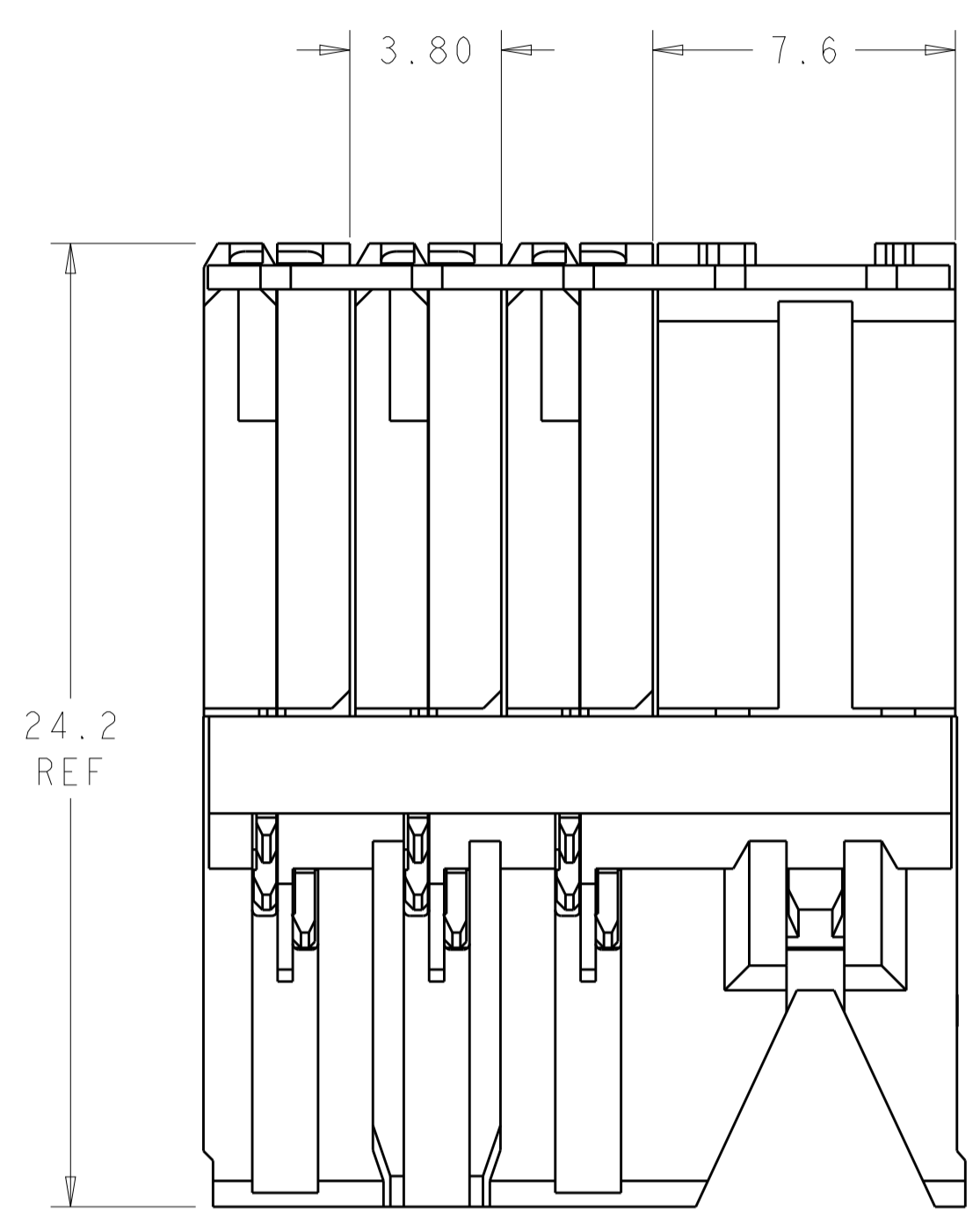


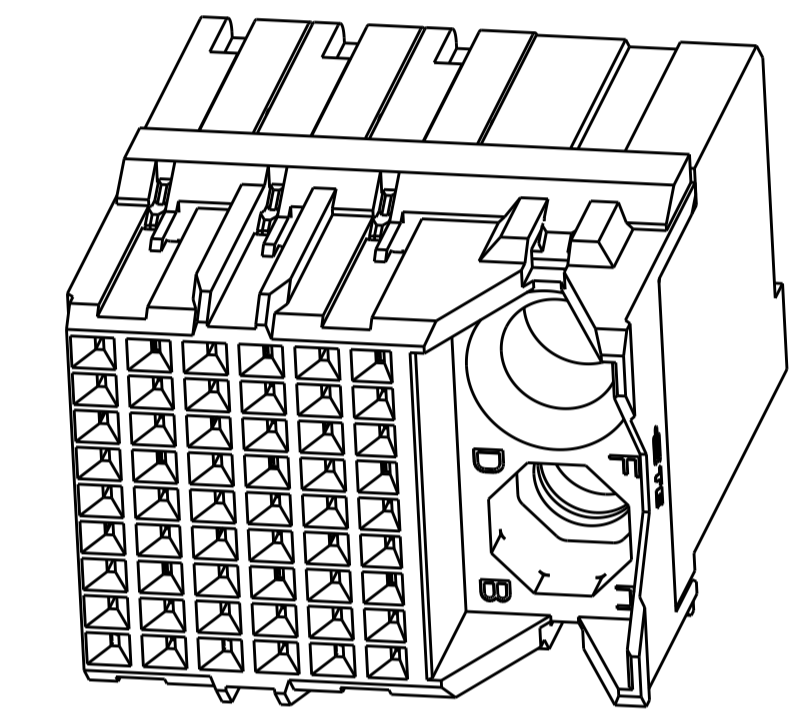
LOC		DIST		REVISIONS			
AD	00	P	LTH	DESCRIPTION	DATE	DWN	APVD
		B1		REVISED PER ECO-14-018035	11MAR2015	AP	DD



⚠ MATERIAL:  
 HOUSING: LCP, GLASS FILLED, UL94V-0.  
 TERMINALS: HIGH PERFORMANCE COPPER ALLOY.

⚠ FINISH:  
 30µ" SELECTIVE GOLD IN CONTACT AREA. SELECTIVE TIN ON PCB TAILS, NICKEL OVERALL.

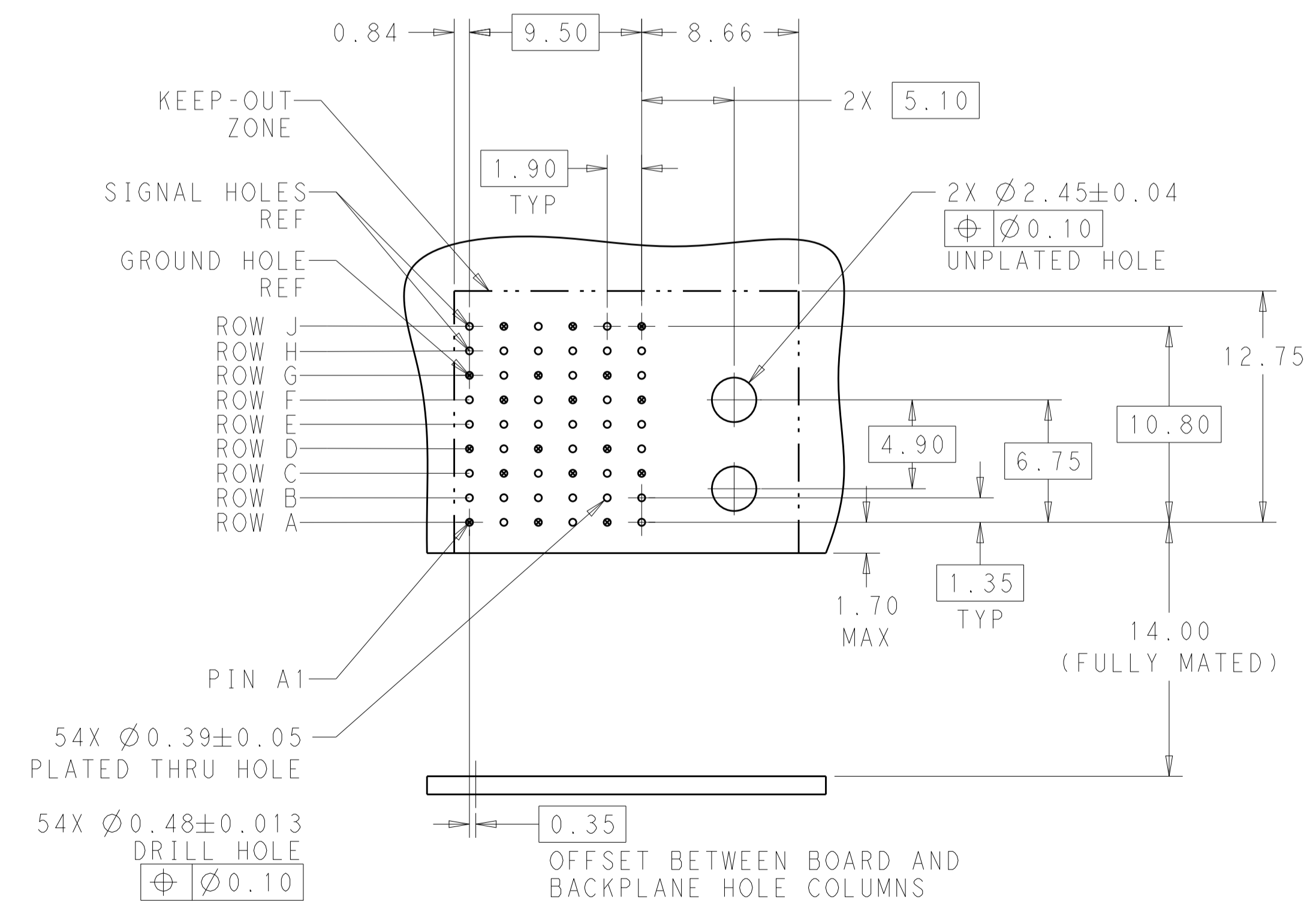
3. CONNECTORS SUPPLIED WITH MOUNTING SCREW.



SCALE 4:1

REFER TO WWW.TE.COM FOR PRODUCT AVAILABILITY

KEY POSITION CHART	
	NONE



RECOMMENDED PCB LAYOUT  
 MIN BOARD THICKNESS 1.0

KEY POSITION	FINISH	PART NUMBER
H	⚠	8-2132499-1
G	⚠	7-2132499-1
F	⚠	6-2132499-1
E	⚠	5-2132499-1
D	⚠	4-2132499-1
C	⚠	3-2132499-1
B	⚠	2-2132499-1
A	⚠	1-2132499-1
NONE	⚠	2132499-1

THIS DRAWING IS A CONTROLLED DOCUMENT.

DIMENSIONS: mm

TOLERANCES UNLESS OTHERWISE SPECIFIED:

0 PLC	±
1 PLC	±0.2
2 PLC	±0.13
3 PLC	±
4 PLC	±
ANGLES	±

MATERIAL: SEE TABLE

FINISH: SEE TABLE

APPROVED: J.K. SHOBER 04FEB2011, D. DIXON 04FEB2011

NAME: IMPACT, 3 PAIR, DAUGHTERCARD 6 COLUMN, RIGHT GUIDED, SIGNAL MODULE, 0.39 EYELET

SIZE: A1, CAGE CODE: 100779, DRAWING NO: C=2132499

RESTRICTED TO: Customer Drawing

SCALE: 6:1, SHEET: 1 OF 1, REV: B1

单击下面可查看定价，库存，交付和生命周期等信息

[>>TE Connectivity\(泰科\)](#)